

VTR1000SP-1  
[VTR1000SPY-ED]

---

FOREWORD INDEX

1

---

ENGINE GROUP

2

---

FRAME GROUP

3

---

PART NUMBER INDEX

4

---

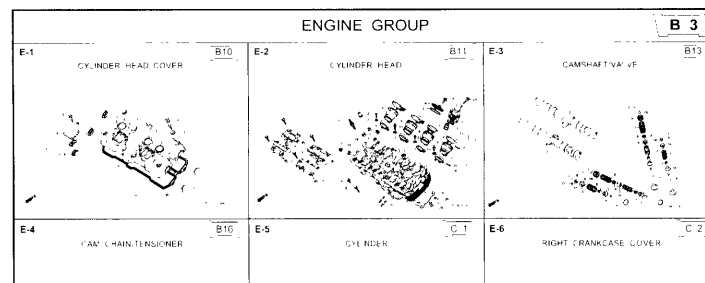
PART NAME INDEX

5

---

How to refer to the part information

A Reference with "Illustrated index"



B Reference with "Part number index"

PART NO. INDEX					
Part Number	Address	Page	Ref	Part Number	Address
04000				13323-MY9-751	C12
04911-MCE-000	C10	26	1	13324-MY9-751	C12
06000				13325-MY9-751	C12
				13327-MY9-751	C12
				14000	
06405-MY5-P00	F13	67	3	14100-MCE-000	B13
06405-MY5-P10	F13	67	3	14200-MCE-000	B13
06410-MY9-860	F2	56	1	14321-MCE-000	B16
06435-MCE-006	F1	55	1	14401-MCE-003	B16
06451-100-405	E13	51	2	14510-MBE-000	B16
06451-443-405	F1	55	2	14520-MY9-691	B16
06451-MA7-405	E13	51	1	14524-MY9-690	B16
06455-MCE-006	E13	51	3	14546-MCE-000	B16
11000				14620-MY9-691	B16
11210-MCE-000	C9	25	1	14711-MCE-000	B13
11330-MCE-505	C2	18	1	14712-MCE-000	B13
11333-KT8-000	C6	22	1	14721-MCE-000	B13
11335-MCE-000	C2	18	2	14722-MCE-000	B13
11360-MCE-000	C7	23	1	14730-MCE-000	B13
11365-MCE-000	C7	23	2	14731-MCE-000	B13
11396-MY9-000	C2	18	3	14751-MY9-751	B13
11631-MCE-000	C5	21	1	14751-KY2-000	B13
11691-MY9-000	C5	21	2	14751-MCE-000	B13

C Reference with "Part name index"

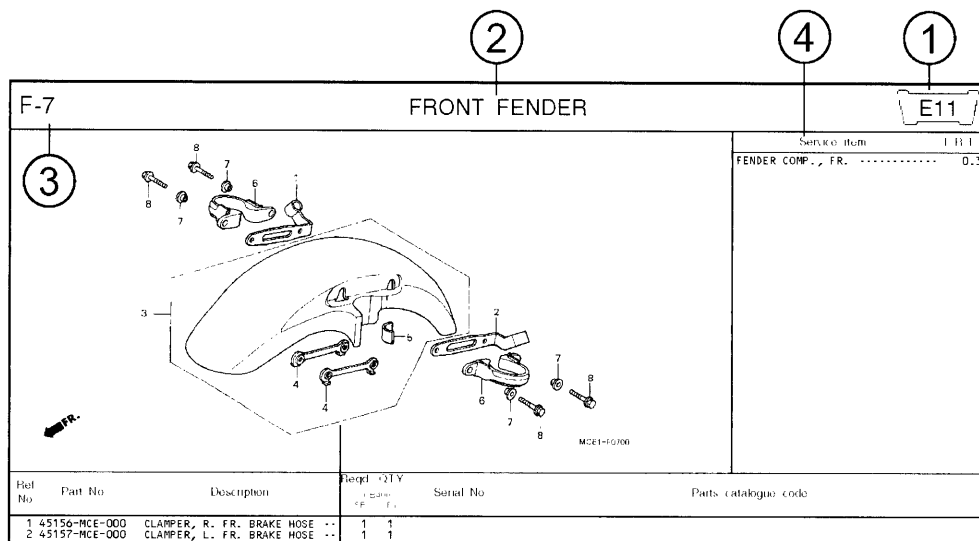
PART NAME INDEX					
Part name	Address	Page	Ref	Part name	Address
[ A ]				BOLT, CHANG	
ADJUSTER, CHAIN	F13	67	5	BOLT, CLUTCH	
ARM COMP, GEAR CHANGE	F10	64	3	BOLT, CONNECT	
ARM, L. MAIN STEP	F11	65	8	BOLT, DISK, 6	
ARM, L. PILLION STEP	F11	65	12	BOLT, DISK, 8	
ARM, R. MAIN STEP	F11	65	5	BOLT, FLANGE E	
ARM, R. PILLION STEP	F11	65	11	BOLT, FLANGE	
AUTO COC K ASSY., FUEL	F4	58	2	BOLT, FLANGE	
AXLE, FR. WHEEL	E14	52		BOLT, FLANGE	
AXLE, RR. WHEEL	F2	56	3	BOLT, FLANGE	
[ B ]				BOLT, FLANGE	
BAG, AIR PRESSURE GAUGE	G7	77	4	BOLT, FLANGE	
BAG, SERVICE BOOK	G7	77	1	BOLT, FLANGE	
BAG, TOOL	G7	77	3	BOLT, FLANGE	
BALL, STEEL	F11	65	20	BOLT, FLANGE	
BAND A, INSULATOR	B11	11	11	BOLT, FLANGE	
BAND B, INSULATOR	B11	11	12	BOLT, FLANGE	
BAND, AIR CLEANER CONNECTING TUBE	F8	62	22	BOLT, FLANGE	
BAND, U-LOCK	F16	70	3	BOLT, FLANGE	
BAND, WIRE	C10	26	14	BOLT, FLANGE	
	E5	43	21	BOLT, FLANGE	
	G4	74	18	BOLT, FLANGE	

F-7
FRONT FENDER
E11

Ref No	Part No	Description	Reqd Qty	Serial No	Parts catalogue code
1	45156-MCE-000	CLAMPER, R. FR. BRAKE HOSE	1	1	
2	45157-MCE-000	CLAMPER, L. FR. BRAKE HOSE	1	1	
3	61100-MCE-000ZA	FENDER COMP., FR. *NH41M*FORCE SILVER METALLIC	1		3J,4J
	61100-MCE-000ZB	*PB284C*...CANDY PHOENIX BLUE	1		J,2J
4	61101-MCE-000	PLATE, FR. FENDER	2		1008000
	61101-MCE-010		2	1008001	
5	61102-MCE-300	CUSHION, FR. FENDER (BLACK)	2	2	
6	61105-MCE-000	STAY, FR. FENDER MOUNTING	2	2	
7	61107-MRT-000	COLLAR (6.5)	4	4	
8	96001-06020-00	BOLT, FLANGE, 6X20	4	4	

Page No.
2000.09.01

Part catalogue structure

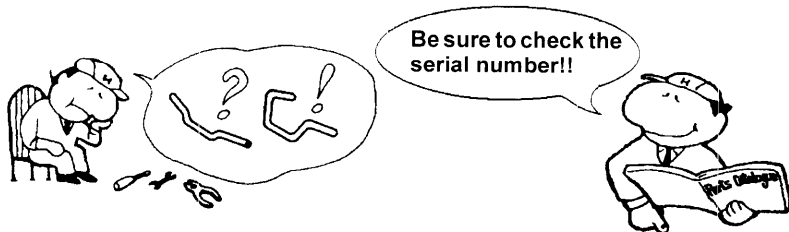


Ref No	Part No	Description	Reqd QTY (in parenthesis)	Serial No	Parts catalogue code
1	45156-MCE-000	CLAMPER, R. FR. BRAKE HOSE ..	1 (1)		
2	45157-MCE-000	CLAMPER, L. FR. BRAKE HOSE ..	1 (1)		

Ref No	Part No	Description	Reqd QTY (in parenthesis) STX - ST Y	Serial No	Parts catalogue code
1	45156-MCE-000	CLAMPER, R. FR. BRAKE HOSE ..	1 (1)		
2	45157-MCE-000	CLAMPER, L. FR. BRAKE HOSE ..	1 (1)		
3	61100-MCE-000ZA	FENDER COMP., FR. *NH411M*FORCE SILVER METALLIC	1 - - 1		----- 3J,4J
	61100-MCE-000ZB	*PB284C*...CANDY PHOENIX BLUE	1 -		----- J,2J
4	61101-MCE-000	PLATE, FR. FENDER .....	2 (2)	1008000	
	61101-MCE-010	.....	2 (2)	1008001	
5	61102-MCE-300	CUSHION, FR. FENDER .....	2 (2)		
		(BLACK)			

- ① **Address number**
  - Address No. is provided (in place of the page No.) to help you refer to the part with the part No. or part name.
- ② **Block title**
- ③ **Block number**
- ④ **Service item/Flat rate time**
- ⑤ **Reference number**
  - Title number marked with the parenthesis or parentheses indicates that it continues from the previous page.
- ⑥ **Part number**
- ⑦ **Honda color code**
- ⑧ **Description**
- ⑨ **Assemblies**
  - Sections framed with broken lines in the exploded view drawings are available as complete assemblies. (Their individual parts can also be obtained.)
- ⑩ **Color description**
- ⑪ **Note**
  - Notes are shown with the parentheses in the part name column.
- ⑫ **Required quantity**
  - Reqd. QTY shown in the parenthesis or parentheses indicates the optional part.
  - Reqd. QTY marked with "N" indicates the optional part that should be selected as needed.
  - Reqd. QTY indicates the number of the part used in the block.
- ⑬ **Serial number**
- ⑭ **Parts catalogue code**
  - When the parts catalogue code column is blank, it indicates that the part is applicable to all codes.

When the parts were revised



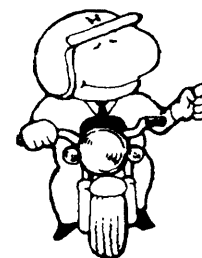
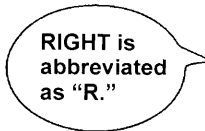
Ref. No.	Part No.	Description	Reqd. QTY		Serial No.
			CB400 SFX	SFY	
1	45156-MCE-000	CLAMPER, R. FR. BRAKE HOSE ..	1	1	
2	45157-MCE-000	CLAMPER, L. FR. BRAKE HOSE ..	1	1	
3	61100-MCE-000ZA	FENDER COMP., FR. *NH411M*FORCE SILVER METALLIC	1	-	-----3J,4J
	61100-MCE-000ZB	*PB284C*...CANDY PHOENIX BLUE	-	1	-----J,2J
4	61101-MCE-000	PLATE, FR. FENDER .....	2	2	-----1008000
	61101-MCE-010	.....	2	2	-----1008001
5	61102-MCE-300	CUSHION, FR. FENDER .....	2	2	
		(BLACK)			
6	61105-MCE-000	STAY, FR. FENDER MOUNTING ...	2	2	
7	61107-MR7-000	COLLAR (6.5) .....	4	4	
8	96001-06020-00	BOLT, FLANGE, 6X20 .....	4	4	

The number has been used from the initial model without revision.

When shown at the left side, it is applicable to the models of No.1008001 and the subsequent numbers.

When shown at the right side, it is applicable to the models up to No.1008000.

Abbreviations used in the parts catalogue



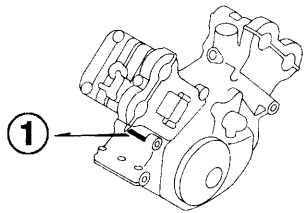
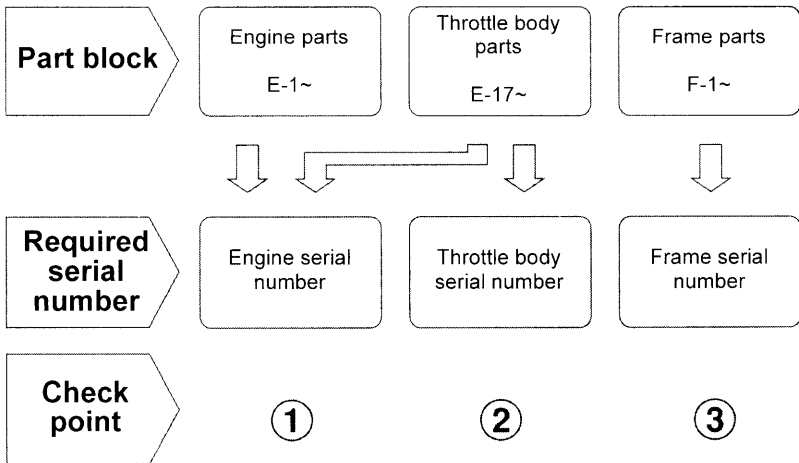
\* "L." or "R." in the description of a part stands for the LEFT hand side or the RIGHT hand side. Determine the left or right as if you were in the motorcycle seat.

• The following abbreviations are used in this parts catalogue.

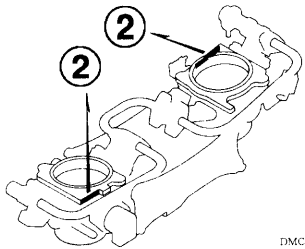
- |   |                                  |
|---|----------------------------------|
| A ..... Ampere                            | L ..... Left                     |
| ABS ..... Anti-lock brake system          | L (100L) .Link (100 Links)       |
| A.C. .... Alternating current             | L.E.D. ....Light emitted diode   |
| A.M. .... Attaching mark                  | MM .....Millimeter               |
| ASSY. .... Assembly                       | MPH .....Miles per hour          |
| C.D.I. .... Capacitive discharge ignition | R. ....Right                     |
| COMP. ... Complete                        | RR. ....Rear                     |
| D.C. .... Direct current                  | STD. ....Standard                |
| EX. .... Exhaust                          | T (22T) ...Tooth (22 Teeth)      |
| FR. .... Front                            | TCS .....Traction control system |
| G ..... Gram                              | T.M. ....Transcript mark         |
| HEX. .... Hexagonal                       | V .....Volt                      |
| IN. .... Inlet                            | W .....Watt                      |
| KPH ..... Kilometers per hour             | WL .....With labelling           |
|   | WOL .....Without labelling       |



### Part block and serial number check



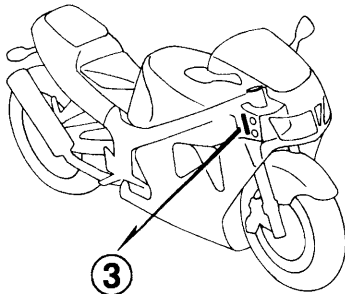
①



②

DMCF - A

DMCF - B

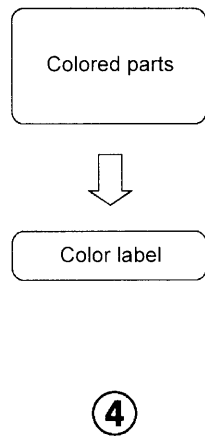


②

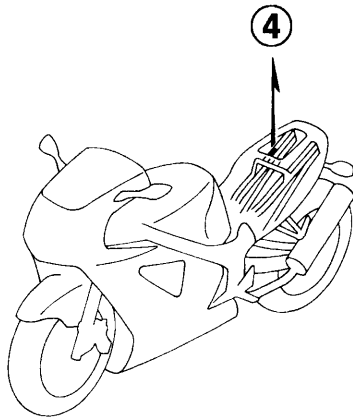
③

DMCF - C

### Color label attachment position check



④



④

DMCF - D

### Models, parts catalogue codes and applicable serial numbers

Models, parts catalogue codes and applicable serial Nos. given in this parts catalogue can be identified as follows.

Parts with parts catalogue codes are exclusive for models destined for countries designated.

If no area codes are listed, parts are for common use.

Model	Area code	Type	Applicable engine serial No.	Applicable frame serial No.	Applicable throttle body identification No.
RC51 [VTR1000SP <sub>Y</sub> ]	CM	Canada	SC45E-2000001~	JH2SC452*YM000001~	GQ51B A
VTR1000SP-1 [VTR1000SP <sub>Y</sub> ]	E	England	SC45E-2000001~	JH2SC45A*YM000001~	GQ51A A
	ED	European direct sales	SC45E-2000001~	JH2SC45A*YM000001~	
	F	France	SC45E-2000001~	JH2SC45B*YM000001~	
	U	Australia	SC45E-2000001~	JH2SC45U*YM000001~	
RC51 [VTR1000SP <sub>1</sub> ]	CM	Canada	SC45E-2100001~	JH2SC452*1M100001~	GQ51B A
VTR1000SP-1 [VTR1000SP <sub>1</sub> ]	E	England	SC45E-2100001~	JH2SC45A*1M100001~	GQ51A A
	ED	European direct sales	SC45E-2100001~	JH2SC45A*1M100001~	
	F	France	SC45E-2100001~	JH2SC45B*1M100001~	
	U	Australia	SC45E-2100001~	JH2SC45U*1M100001~	
RC51 [VTR1000SP <sub>2</sub> ]	CM	Canada	SC45E-2200001~	JH2SC452*2M200001~	GQ76B A
VTR1000SP-2 [VTR1000SP <sub>2</sub> ]	E	England	SC45E-2200001~	JH2SC45A*2M200001~	GQ76A A
	ED	European direct sales	SC45E-2200001~	JH2SC45A*2M200001~	
	F	France	SC45E-2200001~	JH2SC45B*2M200001~	
	U	Australia	SC45E-2200001~	JH2SC45U*2M200001~	

\* Of carburetor/throttle body identification numbers, only the portions underlined in the example below are used for registration.

GQ51B A KC ア

**Color label**

- When ordering parts, check the model name, main color, and code by observing the “COLOR LABEL” on the vehicle.
- When ordering a colored part, use the color chart in the instruction for use of parts catalogue.



		MODEL		VFR800FIW					
		COLOR		Sparkling silver metallic	Mute black metallic	Applicable model		Applicable block No.	Re
No.	CODE			NH-295M	NH-359M	Initial applicable model	Final applicable model		
		Name of colored parts	Basic part No.	NH295	NH359				
1									
2									
3									
4									
5									
6									
7									
8									
9									
10									

**VFR800FIW**  
**COLOR R-157**  
**CODE R157**

Color chart

- When ordering a colored part, refer to the chart below and use a part number consisting of the relevant basic part number to which has been added a part color code.

VTR1000SP-1(VTR1000SPY).....E,ED,F,U

No.	MODEL		VTR1000SPY				Ref.No.
	COLOR		Winning red	Applicable model		Applicable block No.	
	CODE		R-258	Initial applicable model	Final applicable model		
	Name of colored parts	Basic part No.	R258				
1	CLIP, PANEL FIXING	91549-MW0-790	ZA			F-35	19
2	COWL SET, L. LOWER	64450-MCF-000	ZB			F-35	5
3	COWL SET, R. LOWER	64400-MCF-000	ZB			F-35	2
4	COWL SET, SEAT	77230-MCF-000	ZA			F-17	10
5	COWL SET, UPPER	64230-MCF-000	ZA			F-34	10
6	COWL, INNER	64220-MCF-000	ZB			F-34	9
7	COWL, INNER LOWER	64560-MCF-000	ZB			F-35	12
8	FENDER COMP., FR.	61100-MCF-000	ZB			F-8	3
9	LABEL, COLOR	87565-MCF-000	ZA			F-36	9
10	LABEL, FUEL	87586-MB6-870	ZF			F-36	10
11	LABEL, FUEL	87586-MR6-670	ZA			F-36	10
12	MARK A, L. LOWER COWL	64282-MCF-000	ZA			F-37	13
13	MARK A, R. LOWER COWL	64281-MCF-000	ZA			F-37	12
14	MARK B, L. LOWER COWL	64284-MCF-000	ZA			F-37	15
15	MARK B, R. LOWER COWL	64283-MCF-000	ZA			F-37	14
16.	MARK B, SEAT COWL	77233-MCF-000	ZA			F-37	17
17	MARK C, SEAT COWL	77235-MCF-000	ZA			F-37	18
18	MARK, WINDSCREEN	64221-MCF-000	ZA			F-37	1
19	PANEL SET, SEAT COWL	77240-MCF-000	ZB			F-17	12
20	STRIPE A, L. LOWER COWL	64272-MCF-000	ZA			F-37	5

VTR1000SP-1(VTR1000SPY).....E,ED,F,U

No.	MODEL		VTR1000SPY				
	COLOR		Winning red	Applicable model		Applicable block No.	Ref.No.
	CODE		R-258	Initial applicable model	Final applicable model		
	Name of colored parts	Basic part No.	R258				
21	STRIPE A, R. LOWER COWL	64271-MCF-000	ZA			F-37	4
22	STRIPE B, L. LOWER COWL	64274-MCF-000	ZA			F-37	7
23	STRIPE B, R. LOWER COWL	64273-MCF-000	ZA			F-37	6
24	STRIPE C, L. LOWER COWL	64276-MCF-000	ZA			F-37	9
25	STRIPE C, R. LOWER COWL	64275-MCF-000	ZA			F-37	8
26	STRIPE D, L. LOWER COWL	64278-MCF-000	ZA			F-37	11
27	STRIPE D, R. LOWER COWL	64277-MCF-000	ZA			F-37	10
28	STRIPE, L. UPPER COWL	64232-MCF-000	ZA			F-37	3
29	STRIPE, R. UPPER COWL	64231-MCF-000	ZA			F-37	2
30	STRIPE, SEAT COWL PANEL	77226-MCF-000	ZA			F-37	16
31	TANK SET, FUEL	17520-MCF-000	ZB			F-15	6
32	WINDSCREEN SET	64250-MCF-000	ZA			F-34	11



## RC51(VTR1000SPY).....CM

No.	MODEL		VTR1000SPY				
	COLOR		Winning red	Applicable model		Applicable block No.	Ref.No.
	CODE		R-258	Initial applicable model	Final applicable model		
	Name of colored parts	Basic part No.	R258E				
1	BODY COMP., FRAME	50100-MCF-670	ZA			F-30	4
2	CLIP, PANEL FIXING	91549-MW0-790	ZA			F-35	19
3	COWL SET, L. LOWER	64450-MCF-670	ZA			F-35	5
4	COWL SET, R. LOWER	64400-MCF-670	ZA			F-35	2
5	COWL SET, SEAT	77230-MCF-670	ZA			F-17	10
6	COWL SET, UPPER	64230-MCF-670	ZB			F-34	10
7	COWL, INNER	64220-MCF-000	ZB			F-34	9
8	COWL, INNER LOWER	64560-MCF-000	ZB			F-35	12
9	FENDER COMP., FR.	61100-MCF-000	ZB			F-8	3
10	LABEL, COLOR	87565-MCF-720	ZA			F-36	9
11	LABEL, FUEL	87586-MB6-870	ZF			F-36	10
12	MARK B, L. LOWER COWL	64284-MCF-670	ZA			F-37-1	14
13	MARK B, R. LOWER COWL	64283-MCF-670	ZA			F-37-1	13
14	MARK C, SEAT COWL	77235-MCF-670	ZA			F-37-1	21
15	MARK, UPPER COWL	64233-MCF-670	ZA			F-37-1	4
16	MARK, WINDSCREEN	64221-MCF-000	ZB			F-37-1	1
17	PANEL SET, SEAT COWL	77240-MCF-670	ZB			F-17	12
18	STRIPE A, L. LOWER COWL	64272-MCF-670	ZA			F-37-1	6
19	STRIPE A, R. LOWER COWL	64271-MCF-670	ZA			F-37-1	5
20	STRIPE B, L. LOWER COWL	64274-MCF-670	ZA			F-37-1	8

## RC51(VTR1000SPY).....CM

No.	MODEL		VTR1000SPY				
	COLOR		Winning red R-258	Applicable model		Applicable block No.	Ref.No.
	CODE			Initial applicable model	Final applicable model		
	Name of colored parts	Basic part No.	R258E				
21	STRIPE B, R. LOWER COWL	64273-MCF-670	ZA			F-37-1	7
22	STRIPE C, L. LOWER COWL	64276-MCF-670	ZA			F-37-1	10
23	STRIPE C, R. LOWER COWL	64275-MCF-670	ZA			F-37-1	9
24	STRIPE D, L. LOWER COWL	64278-MCF-670	ZA			F-37-1	12
25	STRIPE D, R. LOWER COWL	64277-MCF-670	ZA			F-37-1	11
26	STRIPE E, L. LOWER COWL	64286-MCF-670	ZA			F-37-1	16
27	STRIPE E, R. LOWER COWL	64285-MCF-670	ZA			F-37-1	15
28	STRIPE F, L. LOWER COWL	64288-MCF-670	ZA			F-37-1	18
29	STRIPE F, R. LOWER COWL	64287-MCF-670	ZA			F-37-1	17
30	STRIPE, L. SEAT COWL PANEL	77228-MCF-670	ZA			F-37-1	20
31	STRIPE, L. UPPER COWL	64232-MCF-670	ZA			F-37-1	3
32	STRIPE, R. SEAT COWL	77237-MCF-670	ZA			F-37-1	22
33	STRIPE, R. SEAT COWL PANEL	77227-MCF-670	ZA			F-37-1	19
34	STRIPE, R. UPPER COWL	64231-MCF-670	ZA			F-37-1	2
35	TANK SET, FUEL	17520-MCF-670	ZA			F-15	6
36	WINDSCREEN SET	64250-MCF-000	ZB			F-34	11

## VTR1000SP-1(VTR1000SP1).....E,ED,F,U

No.	MODEL		VTR1000SP1					
	COLOR		Accurate silver metallic NH-146M	Winning red R-258	Applicable model		Applicable block No.	Ref.No.
	CODE				Initial applicable model	Final applicable model		
	Name of colored parts	Basic part No.	NH146	R258				
1	CLIP, PANEL FIXING	91549-MW0-790	ZA	ZA			F-35	19
2	COWL SET, L. LOWER	64450-MCF-D20	ZA	-			F-35	5
3	COWL SET, L. LOWER	64450-MCF-000	-	ZB			F-35	5
4	COWL SET, R. LOWER	64400-MCF-D20	ZA	-			F-35	2
5	COWL SET, R. LOWER	64400-MCF-000	-	ZB			F-35	2
6	COWL SET, SEAT	77230-MCF-D20	ZA	-			F-17	10
7	COWL SET, SEAT	77230-MCF-000	-	ZA			F-17	10
8	COWL SET, UPPER	64230-MCF-D20	ZA	-			F-34	10
9	COWL SET, UPPER	64230-MCF-000	-	ZA			F-34	10
10	COWL, INNER	64220-MCF-000	ZB	ZB			F-34	9
11	COWL, INNER LOWER	64560-MCF-000	ZB	ZB			F-35	12
12	FENDER COMP., FR.	61100-MCF-000	ZE	ZB			F-8	3
13	LABEL, COLOR	87565-MCF-D00	ZB	ZA			F-36	9
14	LABEL, FUEL	87586-MB6-870	ZF	ZF			F-36	10
15	LABEL, FUEL	87586-MR6-670	ZA	ZA			F-36	10
16	MARK A, L. LOWER COWL	64282-MCF-D20	ZA	-			F-37	13
17	MARK A, L. LOWER COWL	64282-MCF-000	-	ZA			F-37	13
18	MARK A, R. LOWER COWL	64281-MCF-D20	ZA	-			F-37	12
19	MARK A, R. LOWER COWL	64281-MCF-000	-	ZA			F-37	12
20	MARK B, L. LOWER COWL	64284-MCF-D20	ZA	-			F-37	15
21	MARK B, L. LOWER COWL	64284-MCF-000	-	ZA			F-37	15
22	MARK B, R. LOWER COWL	64283-MCF-D20	ZA	-			F-37	14
23	MARK B, R. LOWER COWL	64283-MCF-000	-	ZA			F-37	14
24	MARK B, SEAT COWL	77233-MCF-D20	ZA	-			F-37	17
25	MARK B, SEAT COWL	77233-MCF-000	-	ZA			F-37	17



VTR1000SP-1(VTR1000SP<sub>1</sub>).....E,ED,F,U

No.	MODEL		VTR1000SP1					
	COLOR		Accurate silver metallic NH-146M	Winning red R-258	Applicable model		Applicable block No.	Ref.No.
	CODE		NH146	R258	Initial applicable model	Final applicable model		
	Name of colored parts	Basic part No.						
26	MARK C, SEAT COWL	77235-MCF-D20	ZA	-			F-37	18
27	MARK C, SEAT COWL	77235-MCF-000	-	ZA			F-37	18
28	MARK, WINDSCREEN	64221-MCF-000	ZB	ZA			F-37	1
29	PANEL SET, SEAT COWL	77240-MCF-000	-	ZB			F-17	12
30	PANEL, SEAT COWL	77221-MCF-000	ZC	-			F-17	12
31	STRIPE A, L. LOWER COWL	64272-MCF-000	-	ZA			F-37	5
32	STRIPE A, R. LOWER COWL	64271-MCF-000	-	ZA			F-37	4
33	STRIPE B, L. LOWER COWL	64274-MCF-000	-	ZA			F-37	7
34	STRIPE B, R. LOWER COWL	64273-MCF-000	-	ZA			F-37	6
35	STRIPE C, L. LOWER COWL	64276-MCF-000	-	ZA			F-37	9
36	STRIPE C, R. LOWER COWL	64275-MCF-000	-	ZA			F-37	8
37	STRIPE D, L. LOWER COWL	64278-MCF-000	-	ZA			F-37	11
38	STRIPE D, R. LOWER COWL	64277-MCF-000	-	ZA			F-37	10
39	STRIPE, L. UPPER COWL	64232-MCF-000	-	ZA			F-37	3
40	STRIPE, R. UPPER COWL	64231-MCF-000	-	ZA			F-37	2
41	STRIPE, SEAT COWL PANEL	77226-MCF-000	-	ZA			F-37	16
42	TANK SET, FUEL	17520-MCF-D20	ZA	-			F-15	6
43	TANK SET, FUEL	17520-MCF-000	-	ZB			F-15	6
44	WINDSCREEN SET	64250-MCF-000	ZB	ZA			F-34	11

## RC51(VTR1000SP1).....CM

No.	MODEL		VTR1000SP1				
	COLOR		Winning red	Applicable model		Applicable block No.	Ref.No.
	CODE		R-258	Initial applicable model	Final applicable model		
	Name of colored parts	Basic part No.	R258E				
1	BODY COMP., FRAME	50100-MCF-A00	ZA			F-30	4
2	CLIP, PANEL FIXING	91549-MW0-790	ZA			F-35	19
3	COWL SET, L. LOWER	64450-MCF-670	ZA			F-35	5
4	COWL SET, R. LOWER	64400-MCF-670	ZA			F-35	2
5	COWL SET, SEAT	77230-MCF-670	ZA			F-17	10
6	COWL SET, UPPER	64230-MCF-670	ZB			F-34	10
7	COWL, INNER	64220-MCF-000	ZB			F-34	9
8	COWL, INNER LOWER	64560-MCF-000	ZB			F-35	12
9	FENDER COMP., FR.	61100-MCF-000	ZB			F-8	3
10	LABEL, COLOR	87565-MCF-C00	ZA			F-36	9
11	MARK B, L. LOWER COWL	64284-MCF-670	ZA			F-37-1	14
12	MARK B, R. LOWER COWL	64283-MCF-670	ZA			F-37-1	13
13	MARK C, SEAT COWL	77235-MCF-670	ZA			F-37-1	21
14	MARK, UPPER COWL	64233-MCF-670	ZA			F-37-1	4
15	MARK, WINDSCREEN	64221-MCF-000	ZB			F-37-1	1
16	PANEL SET, SEAT COWL	77240-MCF-670	ZB			F-17	12
17	STRIPE A, L. LOWER COWL	64272-MCF-670	ZA			F-37-1	6
18	STRIPE A, R. LOWER COWL	64271-MCF-670	ZA			F-37-1	5
19	STRIPE B, L. LOWER COWL	64274-MCF-670	ZA			F-37-1	8
20	STRIPE B, R. LOWER COWL	64273-MCF-670	ZA			F-37-1	7

## RC51(VTR1000SP1).....CM

No.	MODEL		VTR1000SP1				
	COLOR		Winning red	Applicable model		Applicable block No.	Ref.No.
	CODE		R-258	Initial applicable model	Final applicable model		
	Name of colored parts	Basic part No.	R258E				
21	STRIPE C, L. LOWER COWL	64276-MCF-670	ZA			F-37-1	10
22	STRIPE C, R. LOWER COWL	64275-MCF-670	ZA			F-37-1	9
23	STRIPE D, L. LOWER COWL	64278-MCF-670	ZA			F-37-1	12
24	STRIPE D, R. LOWER COWL	64277-MCF-670	ZA			F-37-1	11
25	STRIPE E, L. LOWER COWL	64286-MCF-670	ZA			F-37-1	16
26	STRIPE E, R. LOWER COWL	64285-MCF-670	ZA			F-37-1	15
27	STRIPE F, L. LOWER COWL	64288-MCF-670	ZA			F-37-1	18
28	STRIPE F, R. LOWER COWL	64287-MCF-670	ZA			F-37-1	17
29	STRIPE, L. SEAT COWL PANEL	77228-MCF-670	ZA			F-37-1	20
30	STRIPE, L. UPPER COWL	64232-MCF-670	ZA			F-37-1	3
31	STRIPE, R. SEAT COWL	77237-MCF-670	ZA			F-37-1	22
32	STRIPE, R. SEAT COWL PANEL	77227-MCF-670	ZA			F-37-1	19
33	STRIPE, R. UPPER COWL	64231-MCF-670	ZA			F-37-1	2
34	TANK SET, FUEL	17520-MCF-670	ZA			F-15	6
35	WINDSCREEN SET	64250-MCF-000	ZB			F-34	11

## VTR1000SP-2(VTR1000SP2).....E,ED,F,U

No.	MODEL		VTR1000SP2				Ref.No.
	COLOR		Ross white	Applicable model		Applicable block No.	
	CODE		NH-196	Initial applicable model	Final applicable model		
	Name of colored parts	Basic part No.	NH196B				
1	CLIP, PANEL FIXING	91549-MW0-790	ZA			F-35-1	20
2	COWL SET, L. LOWER	64450-MCF-D30	ZA			F-35-1	7
3	COWL SET, R. LOWER	64400-MCF-D30	ZA			F-35-1	4
4	COWL SET, SEAT	77230-MCF-D30	ZA			F-17	10
5	COWL SET, UPPER	64230-MCF-D30	ZA			F-34	10
6	COWL, INNER	64220-MCF-000	ZB			F-34	9
7	COWL, INNER LOWER	64560-MCF-D30	ZA			F-35-1	14
8	FENDER COMP., FR.	61100-MCF-010	ZD			F-8	3
9	LABEL, COLOR	87565-MCF-D30	ZA			F-36	9
10	LABEL, FUEL	87586-MB6-870	ZF			F-36	10
11	LABEL, FUEL	87586-MR6-670	ZA			F-36	10
12	MARK A, L. LOWER COWL	64280-MCF-D30	ZA			F-37-2	14
13	MARK A, R. LOWER COWL	64279-MCF-D30	ZA			F-37-2	13
14	MARK B, LOWER COWL	64281-MCF-D30	ZA			F-37-2	15
15	MARK C, LOWER COWL	64282-MCF-D30	ZA			F-37-2	16
16	MARK, SEAT COWL	77237-MCF-D30	ZA			F-37-2	25
17	MARK, UPPER COWL	64233-MCF-D30	ZA			F-37-2	4
18	MARK, WIND SCREEN	64221-MCF-D30	ZA			F-37-2	1
19	PANEL SET, SEAT COWL	77240-MCF-D30	ZA			F-17	12
20	STRIPE A, L. LOWER COWL	64272-MCF-D30	ZA			F-37-2	6
21	STRIPE A, L. SEAT COWL	77234-MCF-D30	ZA			F-37-2	22

VTR1000SP-2(VTR1000SP<sub>2</sub>).....E,ED,F,U

No.	MODEL		VTR1000SP2				
	COLOR		Ross white	Applicable model		Applicable block No.	Ref.No.
	CODE		NH-196	Initial applicable model	Final applicable model		
	Name of colored parts	Basic part No.	NH196B				
22	STRIPE A, R. LOWER COWL	64271-MCF-D30	ZA			F-37-2	5
23	STRIPE A, R. SEAT COWL	77233-MCF-D30	ZA			F-37-2	21
24	STRIPE B, L. LOWER COWL	64274-MCF-D30	ZA			F-37-2	8
25	STRIPE B, L. SEAT COWL	77236-MCF-D30	ZA			F-37-2	24
26	STRIPE B, R. LOWER COWL	64273-MCF-D30	ZA			F-37-2	7
27	STRIPE B, R. SEAT COWL	77235-MCF-D30	ZA			F-37-2	23
28	STRIPE C, L. LOWER COWL	64276-MCF-D30	ZA			F-37-2	10
29	STRIPE C, R. LOWER COWL	64275-MCF-D30	ZA			F-37-2	9
30	STRIPE D, L. LOWER COWL	64278-MCF-D30	ZA			F-37-2	12
31	STRIPE D, R. LOWER COWL	64277-MCF-D30	ZA			F-37-2	11
32	STRIPE E, L. LOWER COWL	64284-MCF-D30	ZA			F-37-2	18
33	STRIPE E, R. LOWER COWL	64283-MCF-D30	ZA			F-37-2	17
34	STRIPE, L. SEAT COWL PANEL	77228-MCF-D30	ZA			F-37-2	20
35	STRIPE, L. UPPER COWL	64232-MCF-D30	ZA			F-37-2	3
36	STRIPE, R. SEAT COWL PANEL	77227-MCF-D30	ZA			F-37-2	19
37	STRIPE, R. UPPER COWL	64231-MCF-D30	ZA			F-37-2	2
38	TANK SET, FUEL	17520-MCF-D30	ZA			F-15	6
39	WHEEL SUB ASSY., FR.	44650-MCF-D30	ZB			F-11-1	7
40	WHEEL SUB ASSY., RR.	42650-MCF-D30	ZB			F-14-1	9
41	WINDSCREEN SET	64250-MCF-D30	ZA			F-34	11



## RC51(VTR1000SP2).....CM

No.	MODEL		VTR1000SP2				
	COLOR		Winning red R-258	Applicable model		Applicable block No.	Ref.No.
	CODE			Initial applicable model	Final applicable model		
	Name of colored parts	Basic part No.	R258E				
1	BODY SET, FRAME	50010-MCF-A20	ZA			F-30-1	5
2	CLIP, PANEL FIXING	91549-MW0-790	ZA			F-35-1	20
3	COWL SET, L. LOWER	64450-MCF-A20	ZA			F-35-1	7
4	COWL SET, R. LOWER	64400-MCF-A20	ZA			F-35-1	4
5	COWL SET, SEAT	77230-MCF-A20	ZA			F-17	10
6	COWL SET, UPPER	64230-MCF-670	ZB			F-34	10
7	COWL, INNER	64220-MCF-000	ZB			F-34	9
8	COWL, INNER LOWER	64560-MCF-D30	ZA			F-35-1	14
9	FENDER COMP., FR.	61100-MCF-010	ZB			F-8	3
10	LABEL, COLOR	87565-MCF-C20	ZA			F-36	9
11	MARK C, SEAT COWL	77235-MCF-A20	ZA			F-37-1	21
12	MARK, UPPER COWL	64233-MCF-670	ZA			F-37-1	4
13	MARK, WIND SCREEN	64221-MCF-D30	ZB			F-37-1	1
14	PANEL SET, SEAT COWL	77240-MCF-670	ZB			F-17	12
15	STRIPE A, L. LOWER COWL	64272-MCF-670	ZA			F-37-1	6
16	STRIPE A, R. LOWER COWL	64271-MCF-670	ZA			F-37-1	5
17	STRIPE B, L. LOWER COWL	64274-MCF-670	ZA			F-37-1	8
18	STRIPE B, R. LOWER COWL	64273-MCF-670	ZA			F-37-1	7
19	STRIPE C, L. LOWER COWL	64276-MCF-670	ZA			F-37-1	10
20	STRIPE C, R. LOWER COWL	64275-MCF-670	ZA			F-37-1	9

RC51(VTR1000SP<sub>2</sub>).....CM

No.	MODEL		VTR1000SP2				
	COLOR		Winning red R-258	Applicable model		Applicable block No.	Ref.No.
	CODE			Initial applicable model	Final applicable model		
	Name of colored parts	Basic part No.	R258E				
21	STRIPE D, L. LOWER COWL	64278-MCF-670	ZA			F-37-1	12
22	STRIPE D, R. LOWER COWL	64277-MCF-670	ZA			F-37-1	11
23	STRIPE E, L. LOWER COWL	64286-MCF-670	ZA			F-37-1	16
24	STRIPE E, R. LOWER COWL	64285-MCF-670	ZA			F-37-1	15
25	STRIPE F, L. LOWER COWL	64288-MCF-670	ZA			F-37-1	18
26	STRIPE F, R. LOWER COWL	64287-MCF-670	ZA			F-37-1	17
27	STRIPE, L. SEAT COWL PANEL	77228-MCF-670	ZA			F-37-1	20
28	STRIPE, L. UPPER COWL	64232-MCF-670	ZA			F-37-1	3
29	STRIPE, R. SEAT COWL	77237-MCF-670	ZA			F-37-1	22
30	STRIPE, R. SEAT COWL PANEL	77227-MCF-670	ZA			F-37-1	19
31	STRIPE, R. UPPER COWL	64231-MCF-670	ZA			F-37-1	2
32	TANK SET, FUEL	17520-MCF-A20	ZA			F-15	6
33	WHEEL SUB ASSY., FR.	44650-MCF-D30	ZA			F-11-1	7
34	WHEEL SUB ASSY., RR.	42650-MCF-D30	ZA			F-14-1	9
35	WINDSCREEN SET	64250-MCF-D30	ZB			F-34	11

## Fuel hose, general purpose hoses and vinyl hose

- The standard part fuel hose, general purpose hose and vinyl hose may be substituted by the coiled bulk part.
- When ordering the standard part fuel hose, general purpose hose and vinyl hose use the bulk part number written in the parts catalogue in brackets ( ) underneath the part name, or use the catalogue below.  
(The bulk part standard length is 1 m, however, those displayed in the catalogue < > are available in 3 m and 8 m lengths.)
- When exchanging the hose, cut and use at the specified length as mentioned in the part name.  
(For the method of cutting the bulk part, and method of filling out orders etc., please refer to the service manual and the instructions issued with the bulk part.)
- The list below is a catalogue of the standard part numbers and bulk part numbers. Note that those numbers are applicable to the listed replacement parts only.

Fuel hoses/Tubes			
Standard part No.	Bulk part No.	Bulk part	
		Inner diameter (mm)	Length (m)
95001-30xxx-2x	95001-30001-20M	3.0	1
95001-30xxx-3x	95001-30001-30M	3.0	1
95001-30xxx-4x	95001-30001-40M	3.0	1
95001-35xxx-2x	95001-35001-50M <95001-35003-50M>	3.5	1 3
95001-35xxx-3x	95001-35001-60M <95001-35003-60M>	3.5	1 3
95001-35xxx-4x	95001-35001-60M <95001-35003-60M>	3.5	1 3
95001-35xxx-5x	95001-35001-50M <95001-35003-50M>	3.5	1 3
95001-35xxx-6x	95001-35001-60M <95001-35003-60M>	3.5	1 3
95001-45xxx-2x	95001-45001-50M <95001-45003-50M>	4.5	1 3
95001-45xxx-3x	95001-45001-60M <95001-45003-60M> <95001-45008-60M>	4.5	1 3 8
95001-45xxx-4x	95001-45001-60M <95001-45003-60M> <95001-45008-60M>	4.5	1 3 8
95001-45xxx-5x	95001-45001-50M <95001-45003-50M>	4.5	1 3
95001-45xxx-6x	95001-45001-60M <95001-45003-60M> <95001-45008-60M>	4.5	1 3 8
95001-55xxx-2x	95001-55001-50M <95001-55003-50M> <95001-55008-50M>	5.5	1 3 8

Fuel hoses/Tubes			
Standard part No.	Bulk part No.	Bulk part	
		Inner diameter (mm)	Length (m)
95001-55xxx-3x	95001-55001-60M <95001-55003-60M> <95001-55008-60M>	5.5	1 3 8
95001-55xxx-4x	95001-55001-60M <95001-55003-60M> <95001-55008-60M>	5.5	1 3 8
95001-55xxx-5x	95001-55001-50M <95001-55003-50M> <95001-55008-50M>	5.5	1 3 8
95001-55xxx-6x	95001-55001-60M <95001-55003-60M> <95001-55008-60M>	5.5	1 3 8
95001-75xxx-2x	95001-75001-50M <95001-75003-50M>	7.5	1 3
95001-75xxx-3x	95001-75001-60M <95001-75003-60M> <95001-75008-60M>	7.5	1 3 8
95001-75xxx-4x	95001-75001-60M <95001-75003-60M> <95001-75008-60M>	7.5	1 3 8
95001-75xxx-5x	95001-75001-50M <95001-75003-50M>	7.5	1 3
95001-75xxx-6x	95001-75001-60M <95001-75003-60M> <95001-75008-60M>	7.5	1 3 8
95001-80xxx-2x	95001-80001-50M	8.0	1
95001-80xxx-3x	95001-80001-60M	8.0	1
95001-80xxx-4x	95001-80001-60M	8.0	1
95001-80xxx-5x	95001-80001-50M	8.0	1
95001-80xxx-6x	95001-80001-60M	8.0	1



Vinyl tube				
Standard part No.	Bulk part No.	Bulk part		
		Inner dia- meter (mm)	Outer dia- meter (mm)	Length (m)
95003-01xxx-3x	95003-01001-60M <95003-01003-60M>	2.9	6.8	1 3
95003-01xxx-60	95003-01001-60M <95003-01003-60M>	2.9	6.8	1 3
95003-03xxx-3x	95003-03001-60M <95003-03003-60M>	3.0	6.0	1 3
95003-03xxx-60	95003-03001-60M <95003-03003-60M>	3.0	6.0	1 3
95003-05xxx-3x	95003-05001-60M <95003-05003-60M> <95003-05008-60M>	3.5	6.5	1 3 8
95003-05xxx-60	95003-05001-60M <95003-05003-60M> <95003-05008-60M>	3.5	6.5	1 3 8
95003-07xxx-1x	95003-07001-10M <95003-07003-10M> <95003-07008-10M>	4.0	7.0	1 3 8
95003-07xxx-20	95003-07001-10M <95003-07003-10M> <95003-07008-10M>	4.0	7.0	1 3 8
95003-07xxx-3x	95003-07001-60M <95003-07003-60M> <95003-07008-60M>	4.0	7.0	1 3 8
95003-07xxx-60	95003-07001-60M <95003-07003-60M> <95003-07008-60M>	4.0	7.0	1 3 8
95003-07xxx-7x	95003-07001-70M <95003-07003-70M> <95003-07008-70M>	4.0	7.0	1 3 8
95003-08xxx-1x	95003-08001-10M <95003-08003-10M> <95003-08008-10M>	4.5	6.5	1 3 8
95003-09xxx-3x	95003-09001-60M <95003-09003-60M>	4.5	8.0	1 3
95003-09xxx-60	95003-09001-60M <95003-09003-60M>	4.5	8.0	1 3
95003-10xxx-1x	95003-10001-10M <95003-10003-10M>	5.0	8.0	1 3
95003-10xxx-20	95003-10001-10M <95003-10003-10M>	5.0	8.0	1 3
95003-10xxx-3x	95003-10001-60M <95003-10003-60M>	5.0	8.0	1 3
95003-10xxx-60	95003-10001-60M <95003-10003-60M>	5.0	8.0	1 3
95003-11xxx-3x	95003-11001-60M <95003-11003-60M> <95003-11008-60M>	5.0	9.0	1 3 8
95003-11xxx-60	95003-11001-60M <95003-11003-60M> <95003-11008-60M>	5.0	9.0	1 3 8
95003-12xxx-1x	95003-12001-10M <95003-12003-10M> <95003-12008-10M>	5.0	7.0	1 3 8
95003-12xxx-20	95003-12001-10M <95003-12003-10M> <95003-12008-10M>	5.0	7.0	1 3 8

Vinyl tube				
Standard part No.	Bulk part No.	Bulk part		
		Inner dia- meter (mm)	Outer dia- meter (mm)	Length (m)
95003-14xxx-1x	95003-14001-10M <95003-14003-10M>	6.0	9.0	1 3
95003-14xxx-20	95003-14001-10M <95003-14003-10M>	6.0	9.0	1 3
95003-14xxx-3x	95003-14001-60M <95003-14003-60M>	6.0	9.0	1 3
95003-17xxx-1x	95003-17001-10M <95003-17003-10M>	7.0	9.0	1 3
95003-19xxx-1x	95003-19001-10M <95003-19003-10M> <95003-19008-10M>	7.0	11.0	1 3 8
95003-19xxx-20	95003-19001-10M <95003-19003-10M> <95003-19008-10M>	7.0	11.0	1 3 8
95003-19xxx-3x	95003-19001-60M <95003-19003-60M> <95003-19008-60M>	7.0	11.0	1 3 8
95003-19xxx-60	95003-19001-60M <95003-19003-60M> <95003-19008-60M>	7.0	11.0	1 3 8
95003-21xxx-1x	95003-21001-10M <95003-21003-10M>	8.0	9.0	1 3
95003-21xxx-20	95003-21001-10M <95003-21003-10M>	8.0	9.0	1 3
95003-23xxx-1x	95003-23001-10M <95003-23003-10M>	8.0	12.0	1 3
95003-23xxx-20	95003-23001-10M <95003-23003-10M>	8.0	12.0	1 3
95003-23xxx-3x	95003-23001-60M <95003-23003-60M> <95003-23008-60M>	8.0	12.0	1 3 8
95003-23xxx-60	95003-23001-60M <95003-23003-60M> <95003-23008-60M>	8.0	12.0	1 3 8
95003-25xxx-1x	95003-25001-10M <95003-25003-10M>	9.0	11.0	1 3
95003-25xxx-20	95003-25001-10M <95003-25003-10M>	9.0	11.0	1 3
95003-25xxx-3x	95003-25001-60M <95003-25003-60M>	9.0	11.0	1 3
95003-25xxx-7x	95003-25001-70M <95003-25003-70M>	9.0	11.0	1 3
95003-27xxx-1x	95003-27001-10M <95003-27003-10M>	9.0	13.0	1 3
95003-27xxx-20	95003-27001-10M <95003-27003-10M>	9.0	13.0	1 3
95003-27xxx-3x	95003-27001-60M <95003-27003-60M>	9.0	13.0	1 3
95003-27xxx-60	95003-27001-60M <95003-27003-60M>	9.0	13.0	1 3
95003-33xxx-1x	95003-33001-10M <95003-33003-10M>	10.0	14.0	1 3
95003-33xxx-20	95003-33001-10M <95003-33003-10M>	10.0	14.0	1 3

Vinyl tube				
Standard part No.	Bulk part No.	Bulk part		
		Inner dia- meter (mm)	Outer dia- meter (mm)	Length (m)
95003-36xxx-1x	95003-36001-10M <95003-36003-10M> <95003-36008-10M>	11.0	13.0	1 3 8
95003-36xxx-20	95003-36001-10M <95003-36003-10M> <95003-36008-10M>	11.0	13.0	1 3 8
95003-37xxx-3x	95003-37001-60M <95003-37003-60M>	11.0	15.0	1 3
95003-37xxx-60	95003-37001-60M <95003-37003-60M>	11.0	15.0	1 3
95003-38xxx-1x	95003-38001-10M <95003-38003-10M>	12.0	13.0	1 3
95003-38xxx-20	95003-38001-10M <95003-38003-10M>	12.0	13.0	1 3
95003-39xxx-1x	95003-39001-10M <95003-39003-10M>	12.0	14.0	1 3
95003-39xxx-20	95003-39001-10M <95003-39003-10M>	12.0	14.0	1 3
95003-40xxx-20	95003-40001-10M <95003-40003-10M>	12.0	16.0	1 3
95003-40xxx-3x	95003-40001-60M <95003-40003-60M>	12.0	16.0	1 3
95003-40xxx-60	95003-40001-60M <95003-40003-60M>	12.0	16.0	1 3
95003-43xxx-1x	95003-43001-10M <95003-43003-10M> <95003-43008-10M>	13.0	15.0	1 3 8
95003-43xxx-20	95003-43001-10M <95003-43003-10M> <95003-43008-10M>	13.0	15.0	1 3 8
95003-45xxx-1x	95003-45001-10M <95003-45003-10M> <95003-45008-10M>	14.0	18.0	1 3 8
95003-45xxx-20	95003-45001-10M <95003-45003-10M> <95003-45008-10M>	14.0	18.0	1 3 8
95003-50xxx-1x	95003-50001-10M <95003-50003-10M>	16.0	19.0	1 3
95003-50xxx-20	95003-50001-10M <95003-50003-10M>	16.0	19.0	1 3
95003-50xxx-3x	95003-50001-60M <95003-50003-60M>	16.0	19.0	1 3
95003-55xxx-1x	95003-55001-10M <95003-55003-10M>	17.5	20.5	1 3
95003-55xxx-20	95003-55001-10M <95003-55003-10M>	17.5	20.5	1 3
95003-60xxx-1x	95003-60001-10M <95003-60003-10M>	22.0	27.0	1 3
95003-60xxx-20	95003-60001-10M <95003-60003-10M>	22.0	27.0	1 3
95003-60xxx-3x	95003-60001-60M <95003-60003-60M>	22.0	27.0	1 3
95003-60xxx-60	95003-60001-60M <95003-60003-60M>	22.0	27.0	1 3

General purpose hoses			
Standard part No.	Bulk part No.	Bulk part	
		Inner diameter (mm)	Length (m)
95005-11xxx-3x	95005-11001-30M	11.0	1
95005-11xxx-5x	95005-11001-50M	11.0	1
95005-12xxx-1x	95005-12001-10M <95005-12003-10M>	12.0	1 3
95005-12xxx-2x	95005-12001-20M	12.0	1
95005-12xxx-3x	95005-12001-30M	12.0	1
95005-12xxx-5x	95005-12001-50M	12.0	1
95005-14xxx-1x	95005-14001-10M	14.0	1
95005-14xxx-2x	95005-14001-20M <95005-14003-20M>	14.0	1 3
95005-14xxx-3x	95005-14001-30M	14.0	1
95005-14xxx-5x	95005-14001-50M	14.0	1
95005-17xxx-1x	95005-17001-10M	17.0	1
95005-17xxx-2x	95005-17001-20M	17.0	1
95005-17xxx-3x	95005-17001-30M	17.0	1
95005-17xxx-5x	95005-17001-50M	17.0	1
95005-30xxx-3x	95005-30001-30M	3.0	1
95005-30xxx-5x	95005-30001-50M	3.0	1
95005-35xxx-1x	95005-35001-10M <95005-35003-10M> <95005-35008-10M>	3.5	1 3 8
95005-35xxx-2x	95005-35001-20M	3.5	1
95005-35xxx-3x	95005-35001-30M	3.5	1
95005-35xxx-4x	95005-35001-10M <95005-35003-10M> <95005-35008-10M>	3.5	1 3 8
95005-35xxx-5x	95005-35001-50M	3.5	1
95005-45xxx-1x	95005-45001-10M <95005-45003-10M> <95005-45008-10M>	4.5	1 3 8
95005-45xxx-2x	95005-45001-20M	4.5	1
95005-45xxx-3x	95005-45001-30M	4.5	1

General purpose hoses			
Standard part No.	Bulk part No.	Bulk part	
		Inner diameter (mm)	Length (m)
95005-45xxx-4x	95005-45001-10M <95005-45003-10M> <95005-45008-10M>	4.5	1 3 8
95005-45xxx-5x	95005-45001-50M	4.5	1
95005-50xxx-3x	95005-50001-30M <95005-50003-30M>	5.0	1 3
95005-50xxx-5x	95005-50001-50M	5.0	1
95005-55xxx-1x	95005-55001-10M <95005-55003-10M> <95005-55008-10M>	5.3	1 3 8
95005-55xxx-2x	95005-55001-20M <95005-55003-20M>	5.3	1 3
95005-55xxx-4x	95005-55001-10M <95005-55003-10M> <95005-55008-10M>	5.3	1 3 8
95005-65xxx-1x	95005-65001-10M <95005-65003-10M>	6.5	1 3
95005-65xxx-2x	95005-65001-20M	6.5	1
95005-70xxx-3x	95005-70001-30M <95005-70003-30M>	7.0	1 3
95005-70xxx-5x	95005-70001-50M	7.0	1
95005-75xxx-1x	95005-75001-10M <95005-75003-10M>	7.3	1 3
95005-75xxx-2x	95005-75001-20M	7.3	1
95005-80xxx-1x	95005-80001-10M <95005-80003-10M>	8.0	1 3
95005-80xxx-2x	95005-80001-20M	8.0	1
95005-80xxx-3x	95005-80001-30M	8.0	1
95005-80xxx-5x	95005-80001-50M	8.0	1
95005-91xxx-3x	95005-91001-30M	12.0	1
95005-91xxx-5x	95005-91001-50M	12.0	1
95005-92xxx-3x	95005-92001-30M	12.0	1
95005-92xxx-5x	95005-92001-50M	12.0	1

NOTE: X is displayed to represent the omitted numerals and letters of the roman alphabet.

⊙ **CAUTION: It is DANGEROUS to confuse the fuel hose with the general purpose hose or vinyl hose.**

Never use a general purpose hose or vinyl hose in place of a fuel hose or vice versa. Always use the correct bulk part in the parts catalogue, according to the service manual or the instructions issued with the bulk part.

• Bulk part number of fuel hose, general purpose hose and vinyl hose.

(Example)

9 5 0 0 1 - 7 5 0 0 1 - 5 0 M

Bulk part number: Refers to the bulk part.

Marking code (hose type): (fuel hose and general purpose hose)

Change code (for added hose): (Vinyl hose)

• Indicates number mark or change sequence, however, the code for the bulk part must be strictly 0 (zero).

Types of code:

- Fuel hose
  - 2: Red outside braid (3 mm inside dia. only)
  - 5: Black inside braid
  - 3: Red (3 mm inside dia. only)
  - 4: Ash gray with red stripe (3 mm inside dia. only)
  - 6: Black

- Vinyl hose
  - 1: Clear
  - 2: Black
  - 3: Light red
  - 6: Light red
  - 7: Pale black

- General hose
  - 1: Ash gray
  - 2: Ash gray
  - 3: Black
  - 5: Black

Lengths: 001: 1 m (standard)  
003: 3 m  
008: 8 m

I.D code: (fuel hose and general purpose hose)

- |                    |                                |
|--------------------|--------------------------------|
| 30: 3.0 mm         | 11: 11 mm                      |
| 35: 3.5 mm         | 91: 12 mm (outside dia. 15) mm |
| 45: 4.5 mm         | 92: 12 mm (outside dia. 16) mm |
| 50: 5.0 mm         | 12: 12 mm (outside dia. 17) mm |
| 55: 5.3 mm, 5.5 mm | 14: 14 mm                      |
| 65: 6.5 mm         | 17: 17 mm                      |
| 70: 7.0 mm         |                                |
| 75: 7.3 mm, 7.5 mm |                                |
| 80: 8.0 mm         |                                |

ID./OD. code: (vinyl hose)

- |                         |                           |                           |
|-------------------------|---------------------------|---------------------------|
| 01: ID. 2.9, OD. 6.8 mm | 14: ID. 6.0, OD. 9.0 mm   | 37: ID. 11.0, OD. 15.0 mm |
| 03: ID. 3.0, OD. 6.0 mm | 17: ID. 7.0, OD. 9.0 mm   | 38: ID. 12.0, OD. 13.0 mm |
| 05: ID. 3.5, OD. 6.5 mm | 19: ID. 7.0, OD. 11.0 mm  | 39: ID. 12.0, OD. 14.0 mm |
| 07: ID. 4.0, OD. 7.0 mm | 21: ID. 8.0, OD. 9.0 mm   | 40: ID. 12.0, OD. 16.0 mm |
| 08: ID. 4.5, OD. 6.5 mm | 23: ID. 8.0, OD. 12.0 mm  | 43: ID. 13.0, OD. 15.0 mm |
| 09: ID. 4.5, OD. 8.0 mm | 25: ID. 9.0, OD. 11.0 mm  | 45: ID. 14.0, OD. 18.0 mm |
| 12: ID. 5.0, OD. 7.0 mm | 27: ID. 9.0, OD. 13.0 mm  | 50: ID. 16.0, OD. 19.0 mm |
| 10: ID. 5.0, OD. 8.0 mm | 33: ID. 10.0, OD. 14.0 mm | 55: ID. 17.5, OD. 20.5 mm |
| 11: ID. 5.0, OD. 9.0 mm | 36: ID. 11.0, OD. 13.0 mm | 60: ID. 22.0, OD. 27.0 mm |

Hose type: 1: Fuel hose  
3: Vinyl hose  
5: General hose

### How to use the flat rate time (F.R.T.)

This F.R.T. (Flat Rate Time) is used to determine the standard labor time allowed for replacement of parts covered by the warranty during the period the warranty is in effect. The F.R.T. for those parts which are not listed herein should be determined from the operation closely related to the replacement of that part.

#### 1. The F.R.T. is based on the following servicing conditions

- a. A liberal allowance is added to the net servicing time.
- b. Standard times specified are based on the condition that the necessary servicing tools listed in the service manual (motorcycle) which describes the Honda service policy are available close at hand and the work performed by a mechanic with normal skill.
- c. Time required for inspection and operational test following the servicing is included in the F.R.T.

#### 2. Method of computing

The job times are listed in tenth of an hour to simplify computation.

(Example) 0.3 = 18 minutes  
5.6 = 5 hours and 36 minutes

CONVERSION CHART			
Hours	Minutes	Hours	Minutes
0.1	6	0.6	36
0.2	12	0.7	42
0.3	18	0.8	48
0.4	24	0.9	54
0.5	30	1.0	60

### 3. Computing the F.R.T.

The following are only examples and do not reflect the actual F.R.T. for this product.

When several jobs are performed at the same time, make the calculation in the following manner.

#### a. Jobs of non duplicated nature

The F.R.T. for the job is obtained by totalling the F.R.T. for each part replaced.

(Example) Replacement of head cover gasket and oil filter.

Service item	F.R.T.
Packing, cylinder head cover	0.5
Cartridge, oil filter	0.5

The F.R.T. for the job is:  $0.5 + 0.5 = 1.0$

#### b. Jobs of duplicated nature

Take the F.R.T. for the last part to be replaced.

(Example) Replacement of piston and cylinder head gasket.

Service item	F.R.T.
Gasket comp., cylinder head	3.0
Piston	*5.0

The F.R.T. for the job is: 5.0

#### c. Jobs of partially related nature

Total up the F.R.T. for all of the parts replaced and then subtract the F.R.T. for the duplicated operation (i.e., cylinder head gasket service).

(Example) Replacement of valve and cylinder head.

Service item	F.R.T.
Valve	*3.0
Head assy., cylinder	*4.0
Gasket comp., cylinder head	*2.5

The F.R.T. for the job is:  $(3.0 + 4.0) - 2.5 = 4.5$

- The F.R.T. shown with (\*) includes engine removal and installation.
- The parts, having the same number of man-hour, are identified by a mark "\*", and classified under the title of their representative work.

#### 4. Operations other than replacing parts

##### a. Removal and installation

No.	Service item	F.R.T.
1	Engine	4.0
2	Cylinder head	3.3
3	Crankcase separation	*6.9
4	Radiator	0.7
5	Throttle Body	0.9

##### b. Adjustment, measurement and cleaning

###### Engine

No.	Service item	F.R.T.
1	Engine oil inspection	0.1
2	Compression-pressure measurement	0.5
3	Battery checking of electrolyte level and gravity	0.2
4	Oil strainer cleaning	1.1
5	Throttle operation adjustment	0.1
6	Exterior radiator core cleaning	0.5
7	Tappet adjustment	2.7
8	Cleaner element cleaning	0.4
9	Engine idle adjustment	0.1
10	Starter valve synchronization adjustment	0.4

###### Frame

No.	Service item	F.R.T.
1	Front brake air bleeding	0.2
2	Rear brake air bleeding	0.2
3	Brake operation test	0.1
4	Headlight aiming	0.2
5	Front wheel balance	0.7
6	Rear wheel balance	0.7

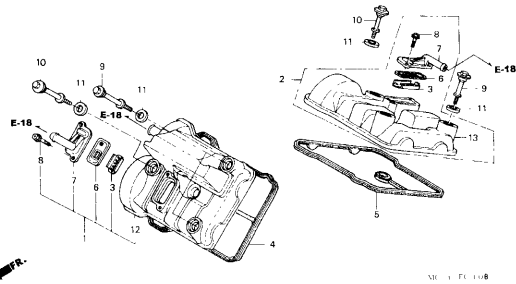
# ENGINE GROUP

C11

E-1

CYLINDER HEAD COVER

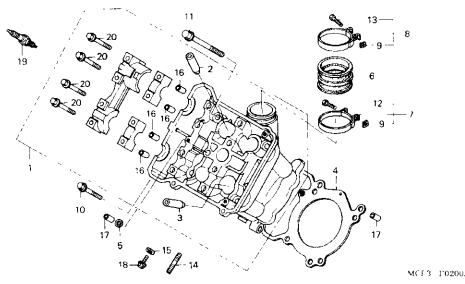
E 1



E-2

CYLINDER HEAD(FRONT)

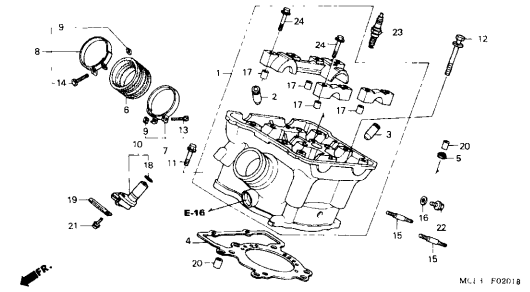
E 2



E-2-1

CYLINDER HEAD(REAR)

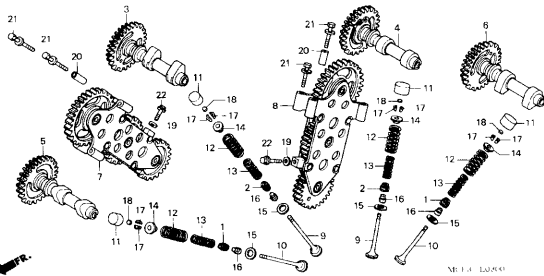
E 4



E-3

CAMSHAFT/VALVE

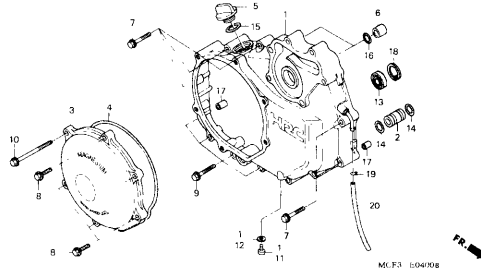
E 6



E-4

RIGHT CRANKCASE COVER

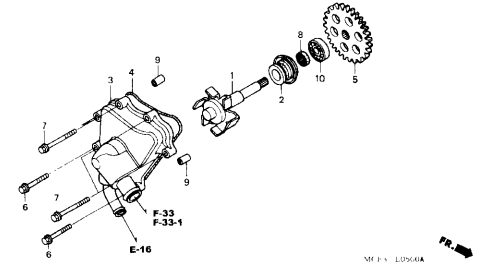
E 9



E-5

WATER PUMP

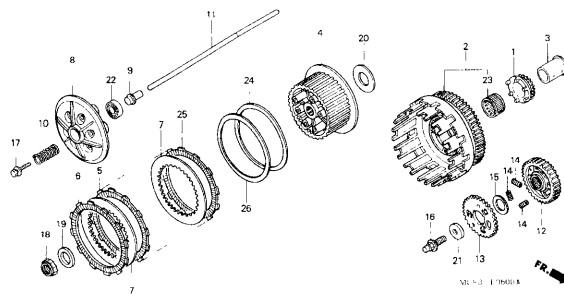
E10



E-6

CLUTCH

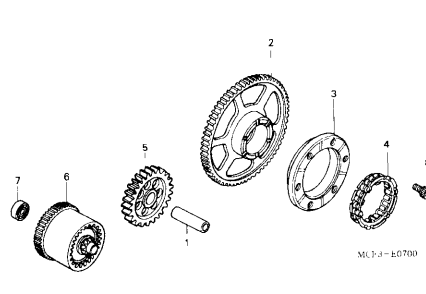
E11



E-7

STARTING CLUTCH

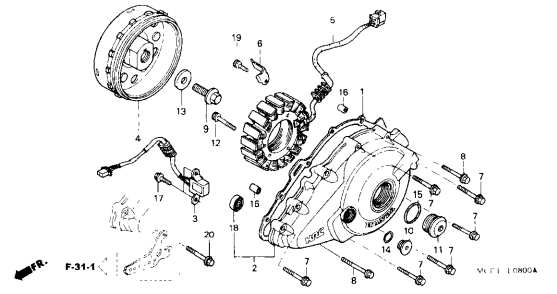
E13



E-8

GENERATOR

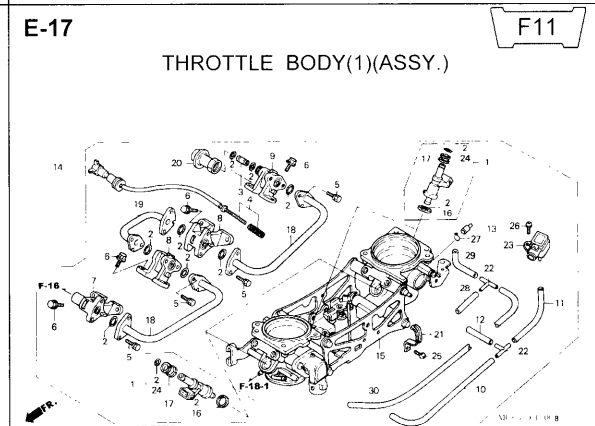
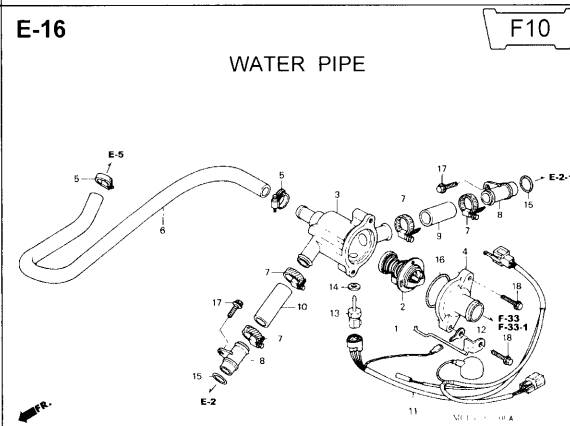
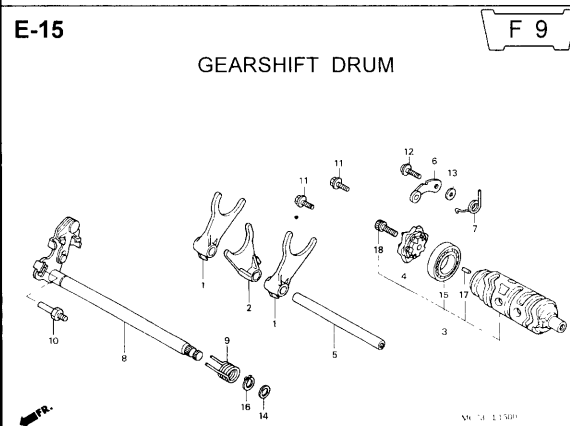
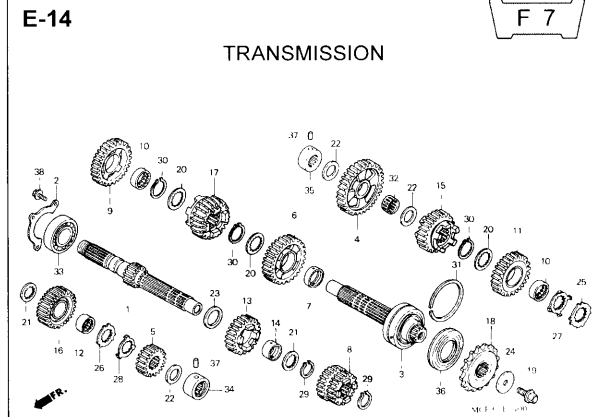
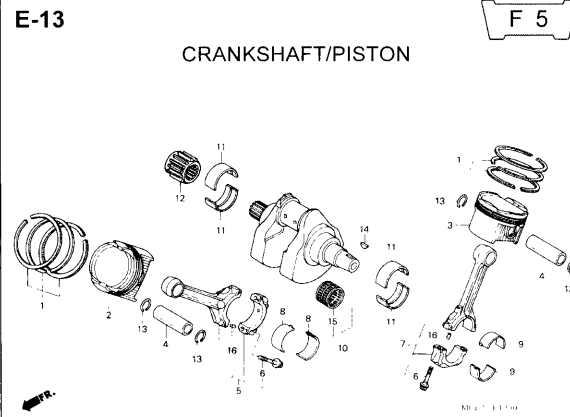
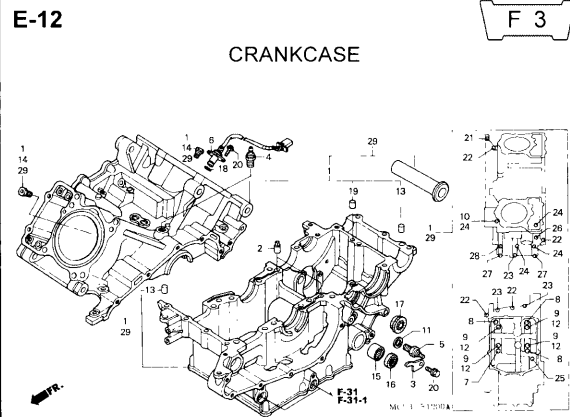
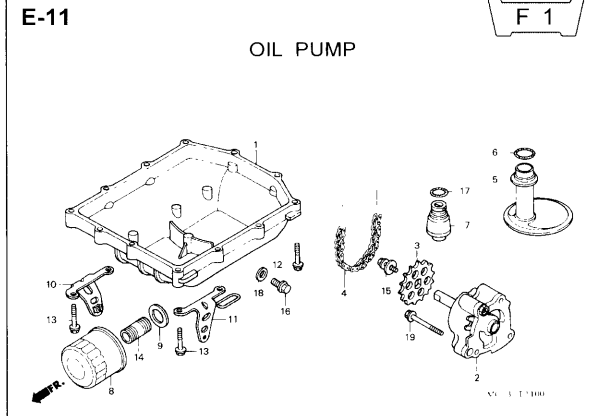
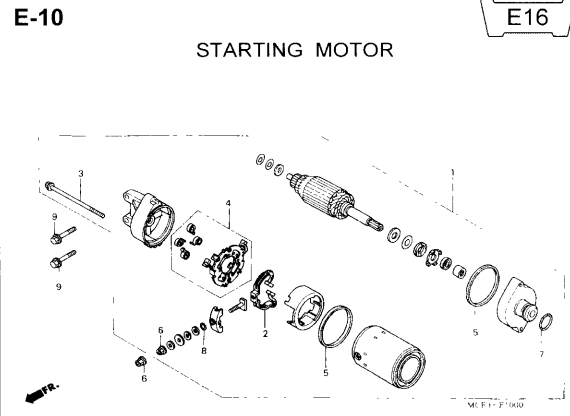
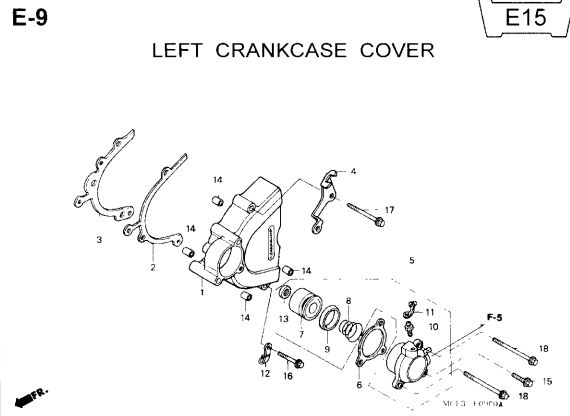
E14



2

# ENGINE GROUP

C12





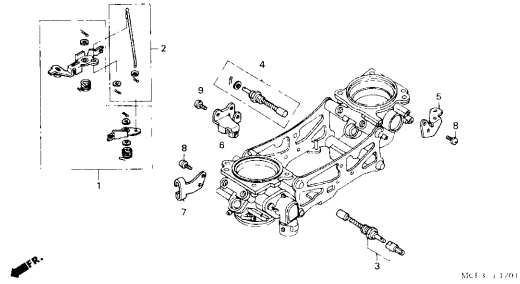
# ENGINE GROUP

C13

E-17-1

F13

THROTTLE BODY(1)(COMPONENT PARTS)

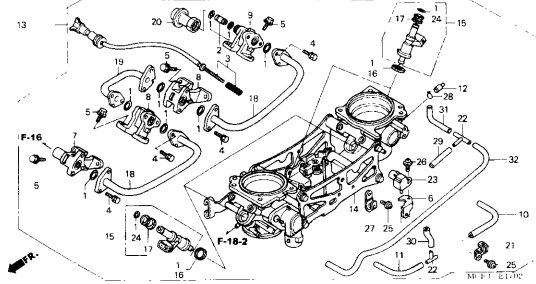


MLP-F 1 1701

E-17-2

F14

THROTTLE BODY(2)(ASSY.)

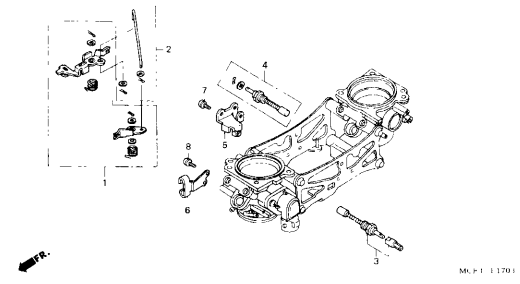


MLP-F 1 1701

E-17-3

F16

THROTTLE BODY(2)(COMPONENT PARTS)

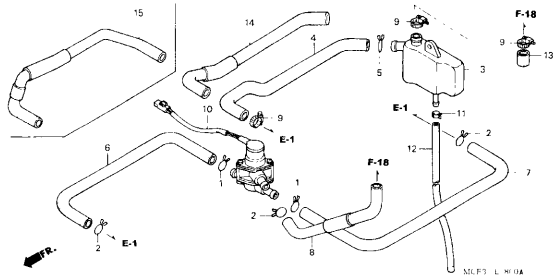


MLP-F 1 1701

E-18

G 1

AIR INJECTION CONTROL VALVE

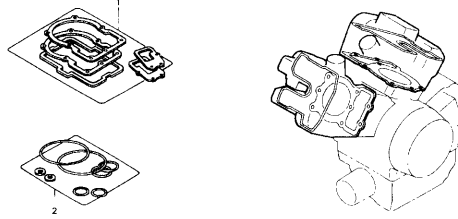


MLP-F 1 18104

EOP-1

G 2

GASKET KIT A

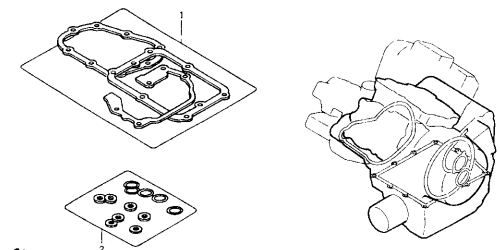


ENGL 100P-11

EOP-2

G 3

GASKET KIT B

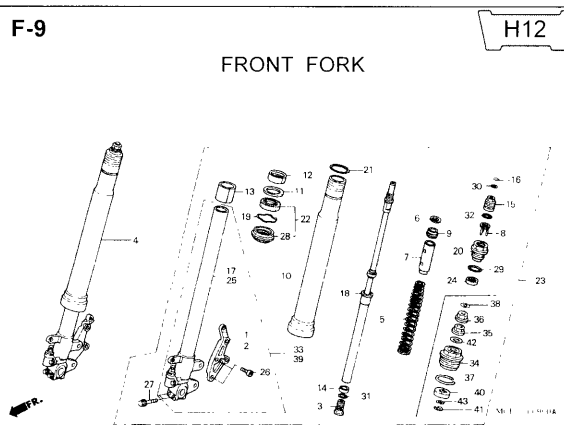
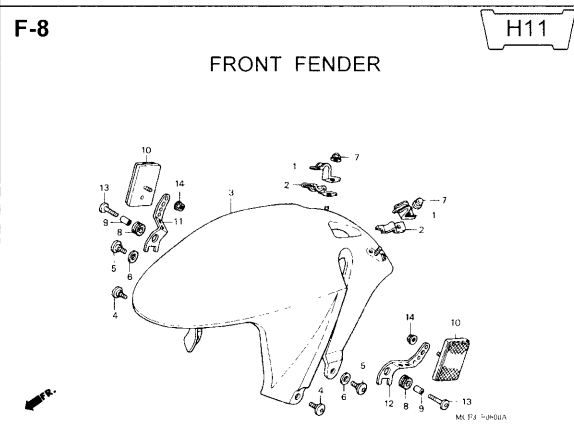
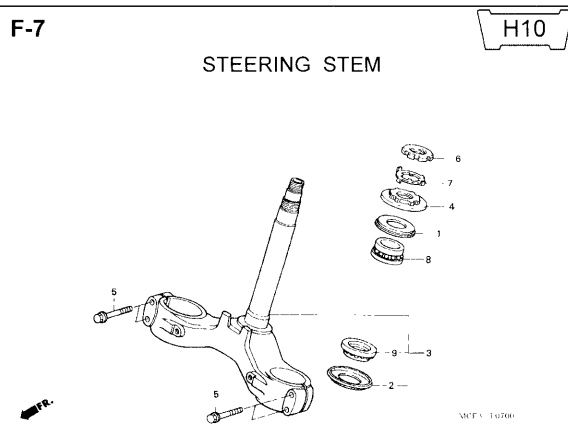
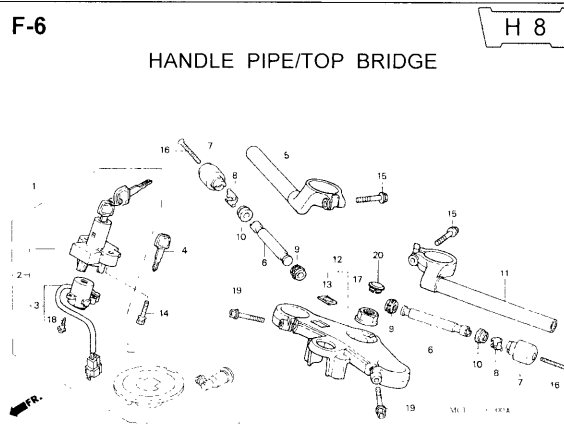
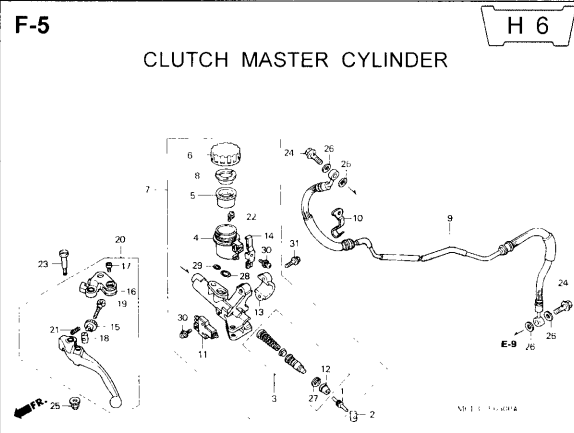
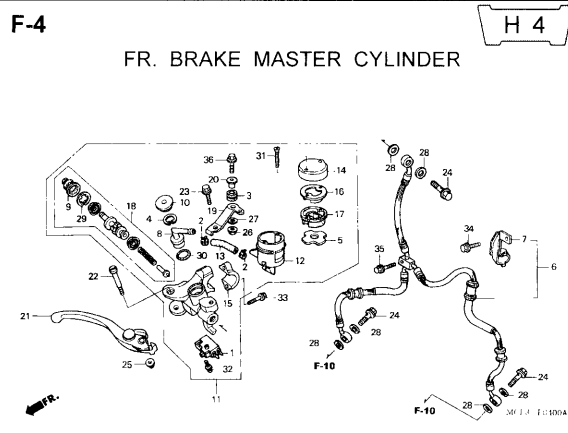
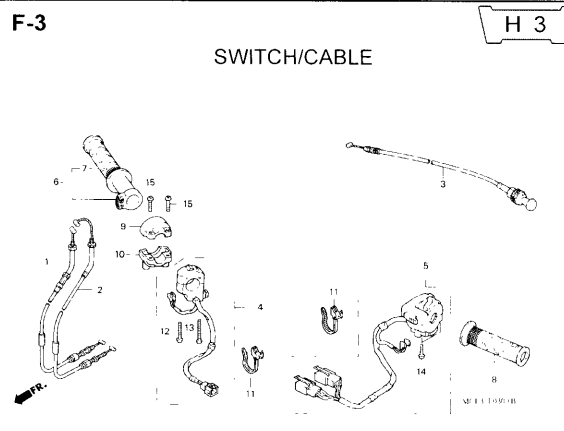
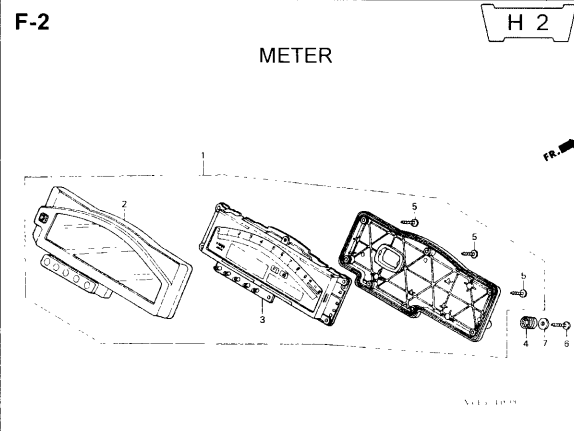
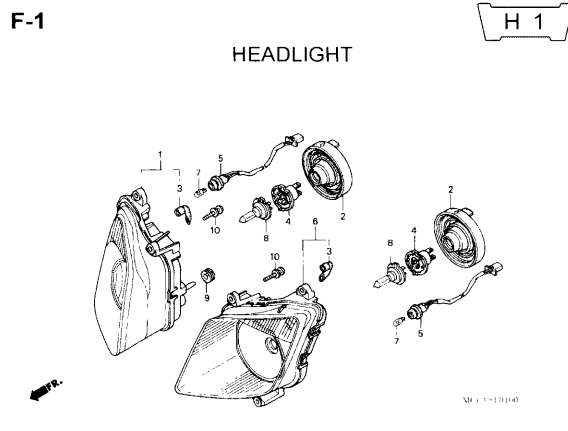


ENGL 100P-11

2

# FRAME GROUP

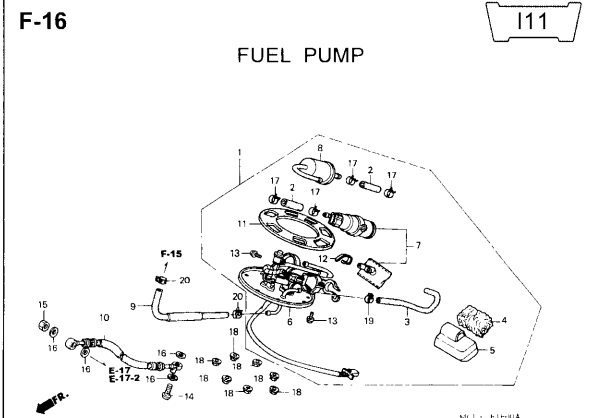
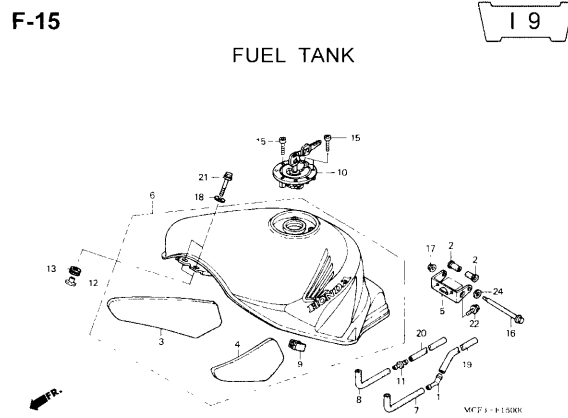
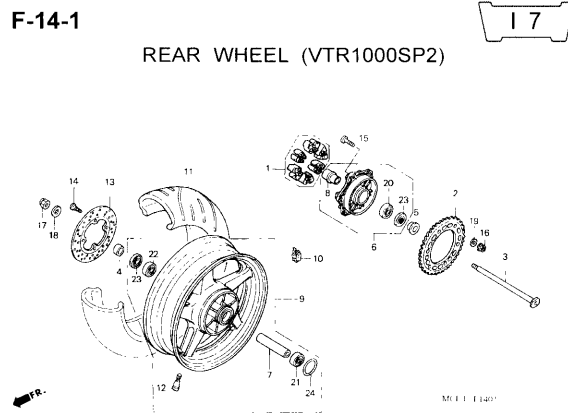
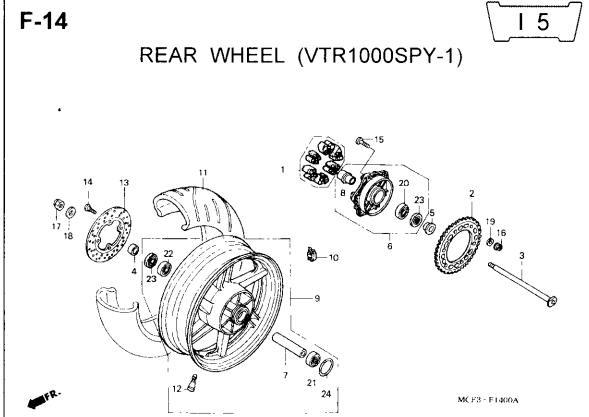
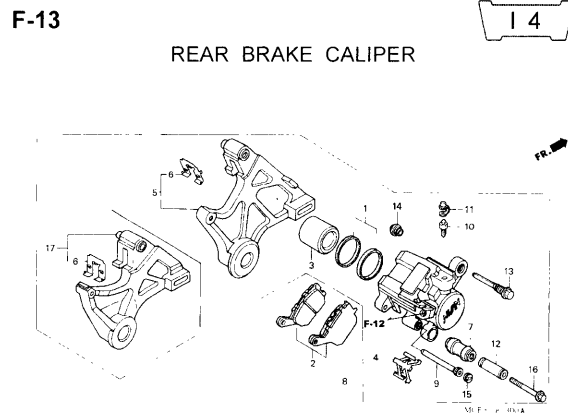
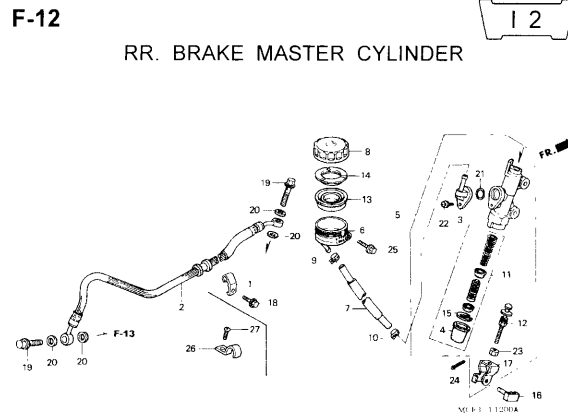
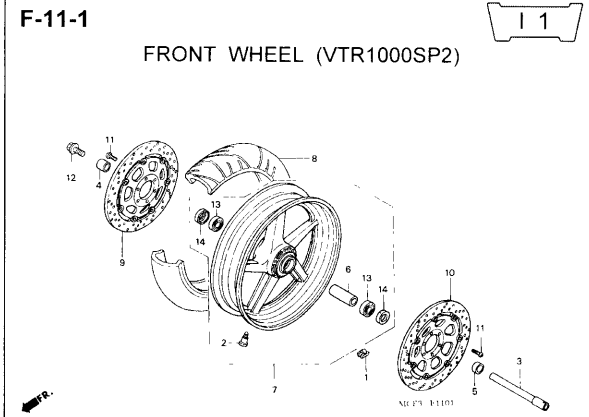
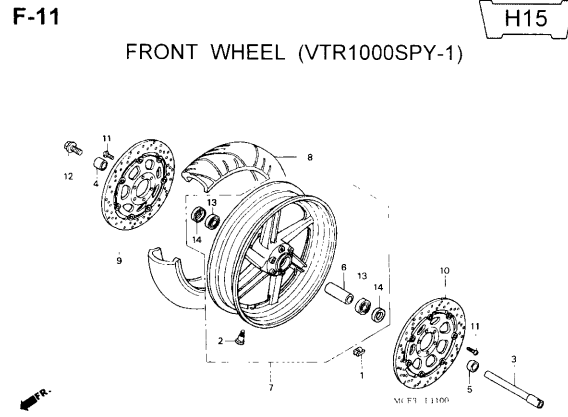
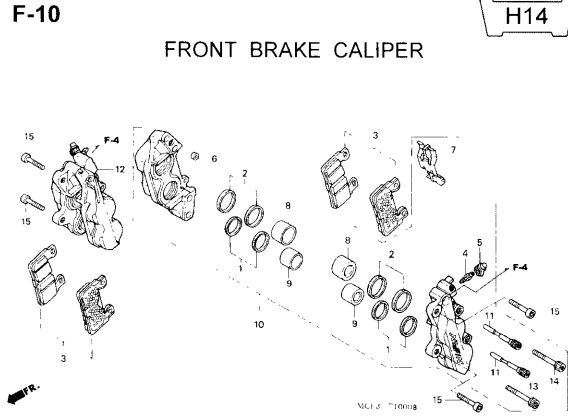
C14



3

# FRAME GROUP

C15



3

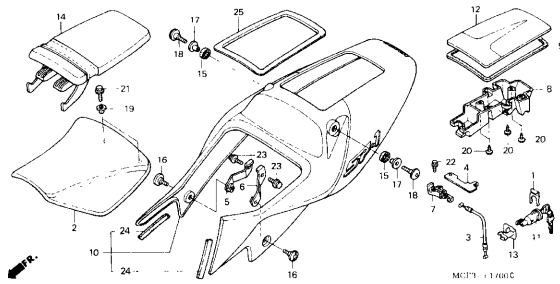
# FRAME GROUP

C16

F-17

SEAT/SEAT COWL

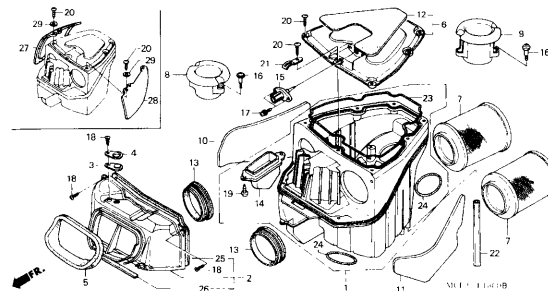
I12



F-18

AIR CLEANER(1)

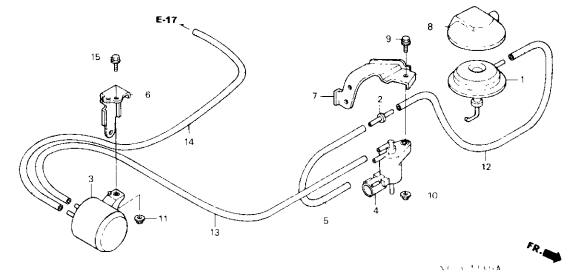
I14



F-18-1

AIR CLEANER(2)(VTR1000SPY-1)

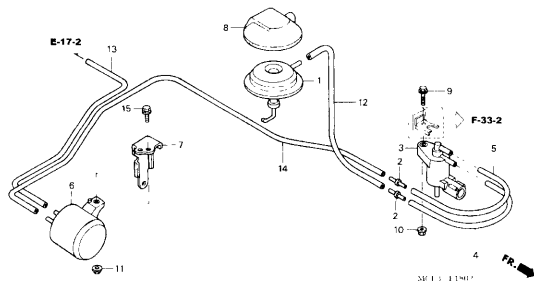
I16



F-18-2

AIR CLEANER(3)(VTR1000SP2)

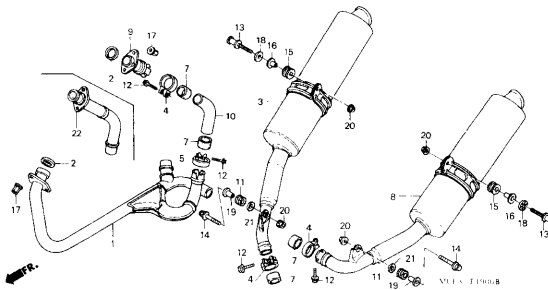
J 1



F-19

EXHAUST MUFFLER

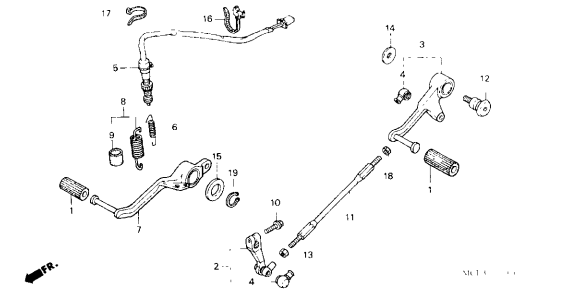
J 2



F-20

PEDAL

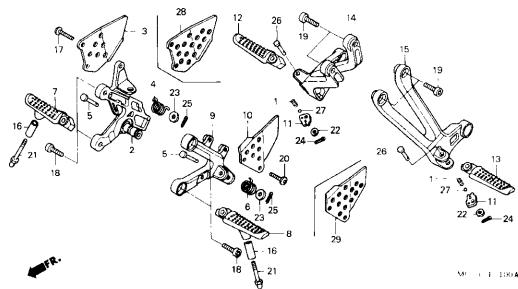
J 4



F-21

STEP

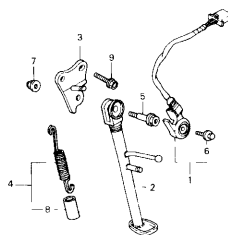
J 5



F-22

STAND

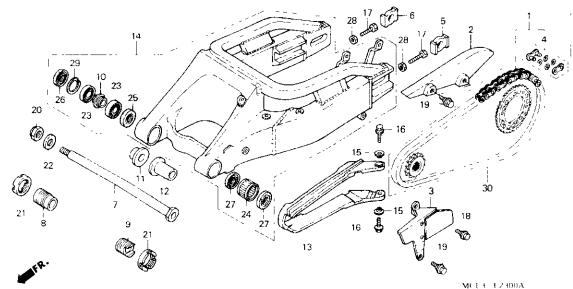
J 8



F-23

SWINGARM(VTR1000SPY-1)

J 9



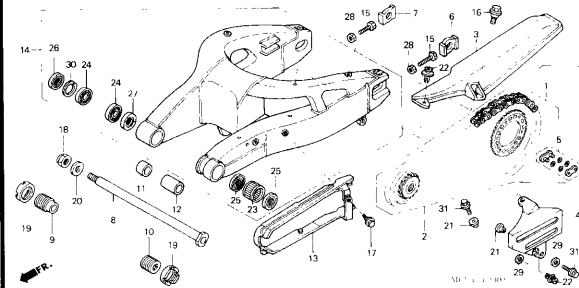
# FRAME GROUP

**D 1**

**F-23-1**

SWINGARM(VTR1000SP2)

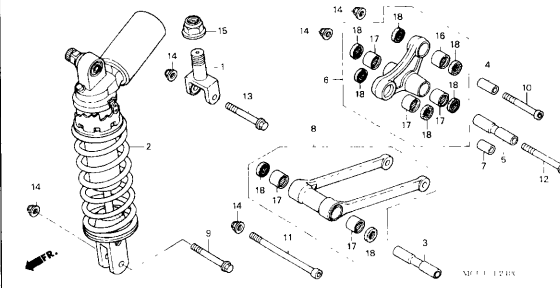
**J11**



**F-24**

REAR CUSHION (VTR1000SPY-1)

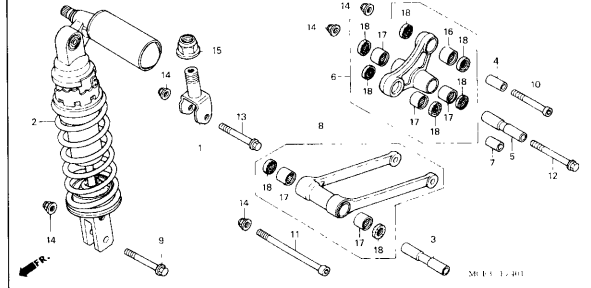
**J13**



**F-24-1**

REAR CUSHION (VTR1000SP2)

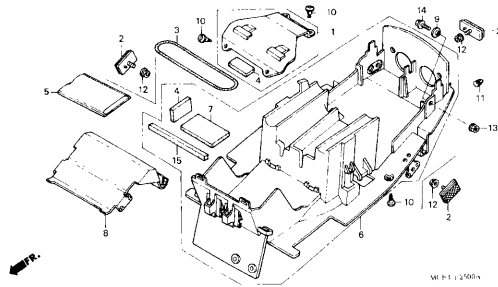
**J14**



**F-25**

REAR FENDER (VTR1000SPY-1)

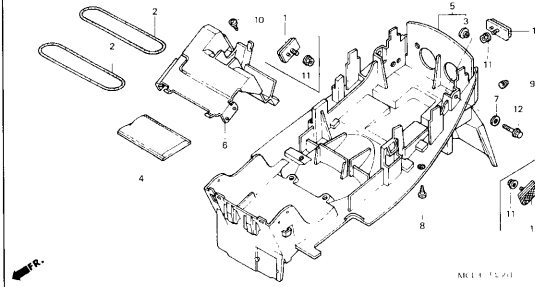
**J15**



**F-25-1**

REAR FENDER (VTR1000SP2)

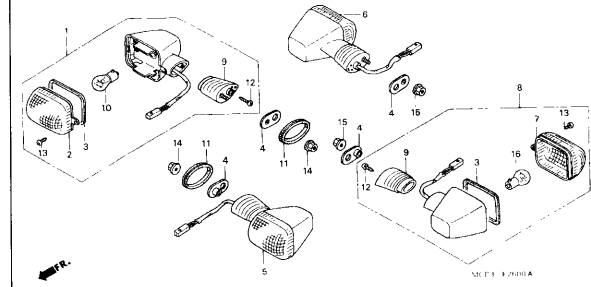
**J16**



**F-26**

WINKER(1)

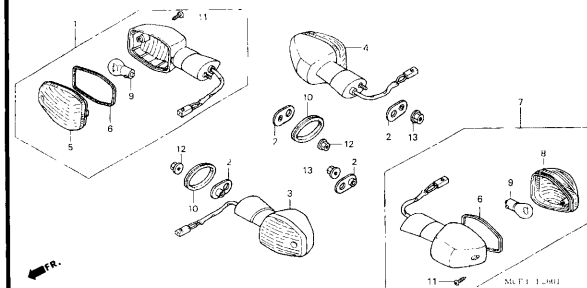
**K 1**



**F-26-1**

WINKER(2)

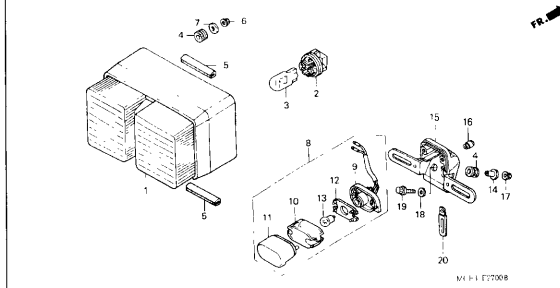
**K 3**



**F-27**

TAILLIGHT

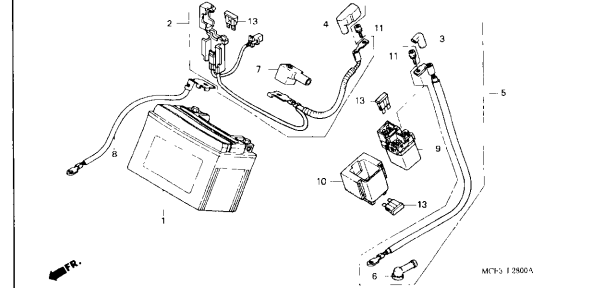
**K 4**



**F-28**

BATTERY

**K 5**



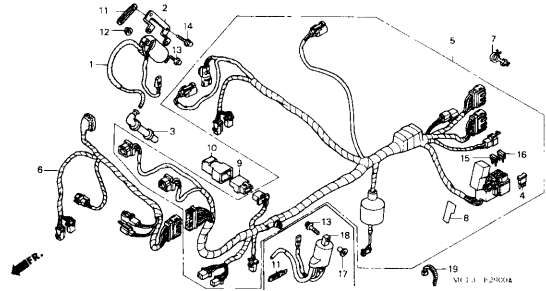
# FRAME GROUP

D 2

F-29

WIRE HARNESS(FRONT)

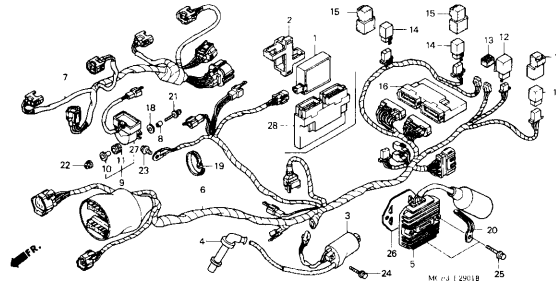
K 6



F-29-1

WIRE HARNESS(REAR)

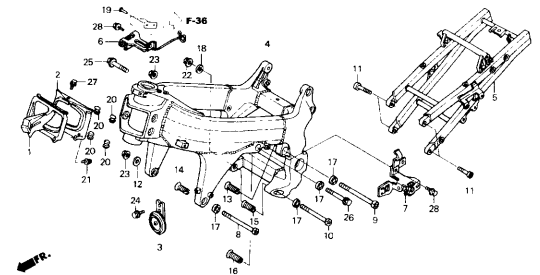
K 8



F-30

FRAME BODY (VTR1000SPY-1)

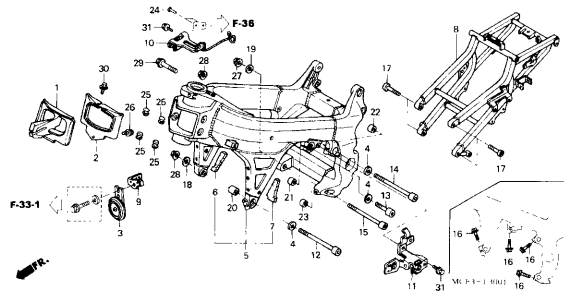
K10



F-30-1

FRAME BODY (VTR1000SP2)

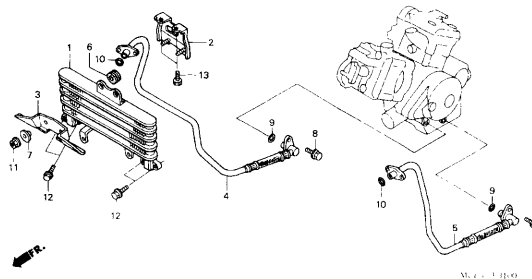
K12



F-31

OIL COOLER(VTR1000SPY-1)

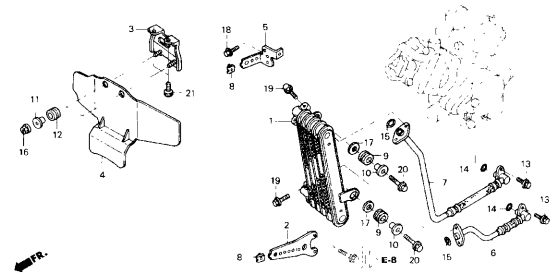
K14



F-31-1

OIL COOLER(VTR1000SP2)

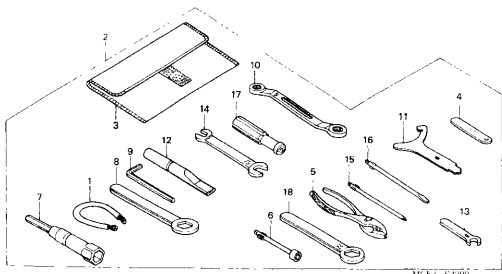
K15



F-32

TOOLS

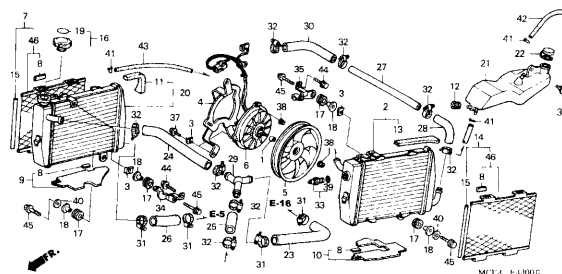
K16



F-33

RADIATOR(VTR1000SPY-1)

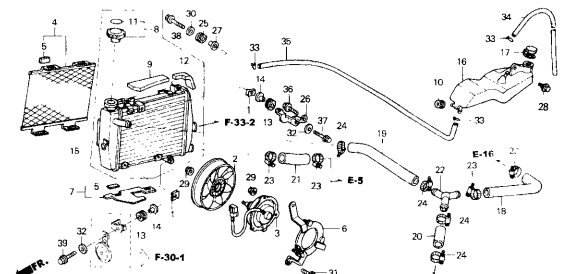
L 1



F-33-1

RADIATOR(R.)(VTR1000SP2)

L 4



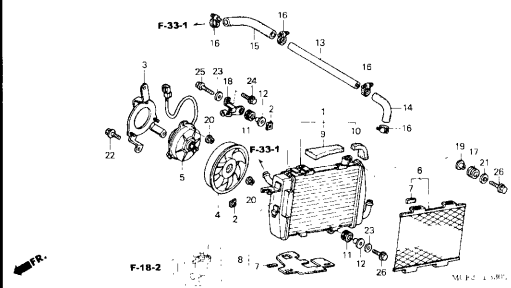
# FRAME GROUP

**D 3**

**F-33-2**

RADIATOR(L.)(VTR1000SP2)

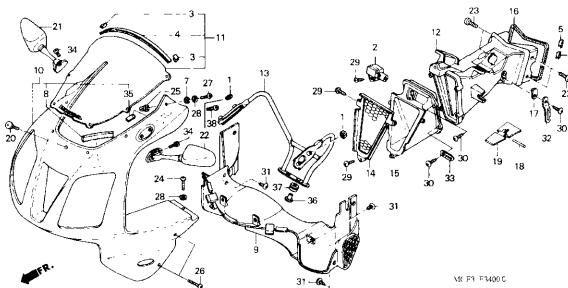
**L 6**



**F-34**

UPPER COWL

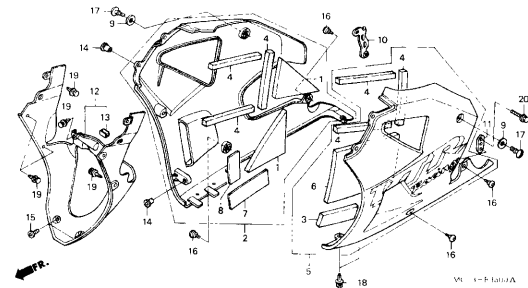
**L 7**



**F-35**

LOWER COWL(VTR1000SPY-1)

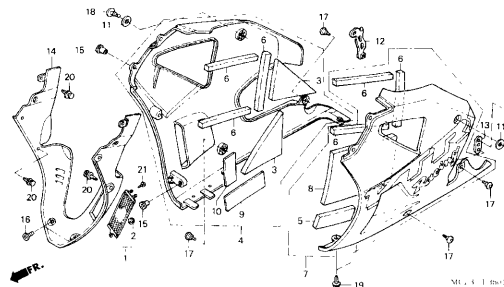
**L10**



**F-35-1**

LOWER COWL(VTR1000SP2)

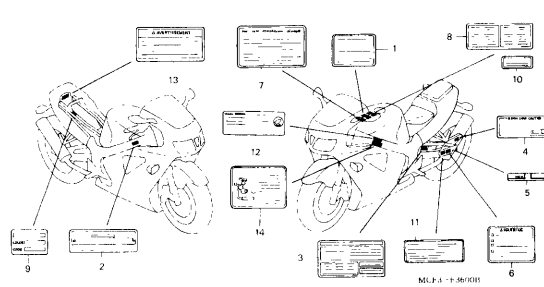
**L11**



**F-36**

CAUTION LABEL

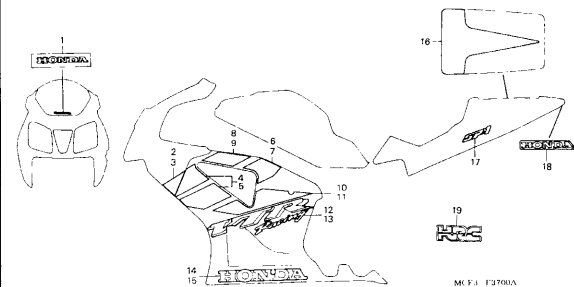
**L12**



**F-37**

MARK/STRIPE(1)

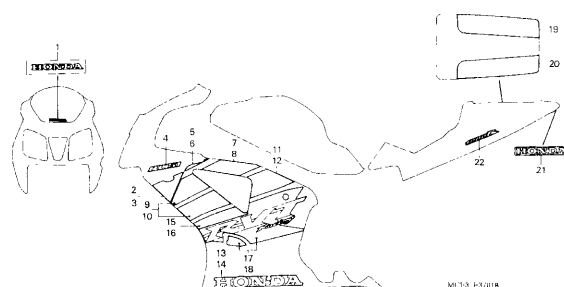
**L14**



**F-37-1**

MARK/STRIPE(2)

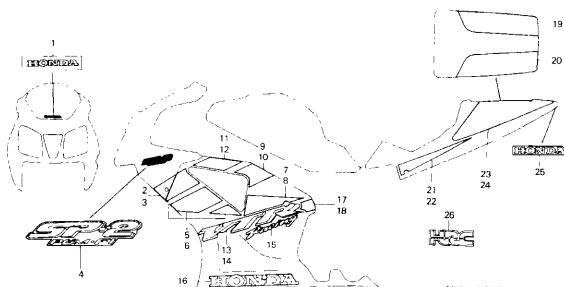
**L16**



**F-37-2**

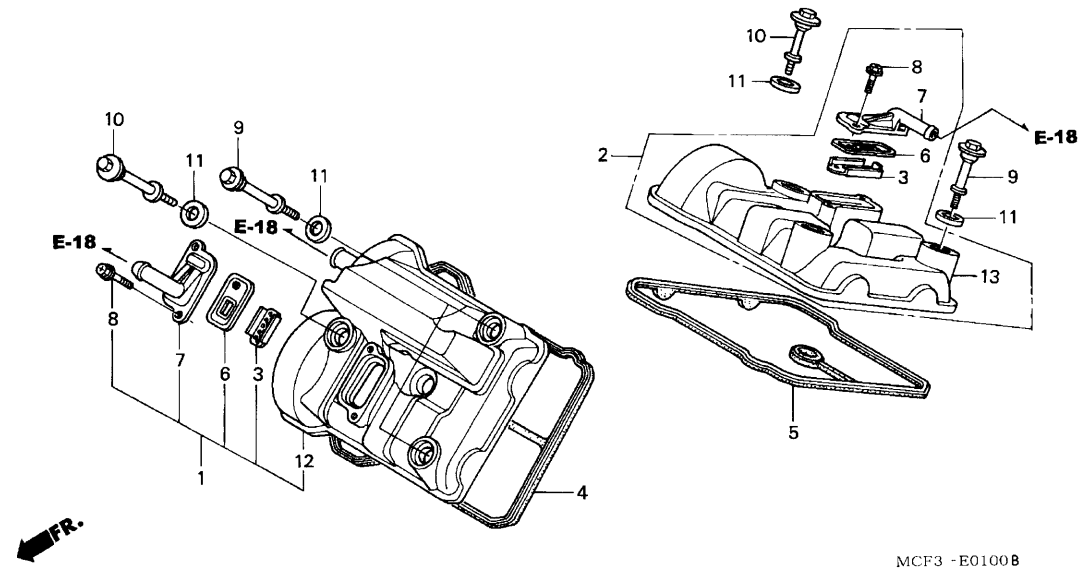
MARK/STRIPE(3)

**M 2**



# E-1

# CYLINDER HEAD COVER



Service item	F.R.T.
VALVE COMP., REED ..... (VTR1000SP2 MODEL 0.2) (RR.CYLINDER SIDE 0.3) (INC. RELATIVE PART)	0.4
COVER COMP., RR. CYLINDER HEAD -GASKET, RR. CYLINDER HEAD	0.6
COVER COMP., FR. CYLINDER HEAD -GASKET, FR. CYLINDER HEAD	1.0
COVER	

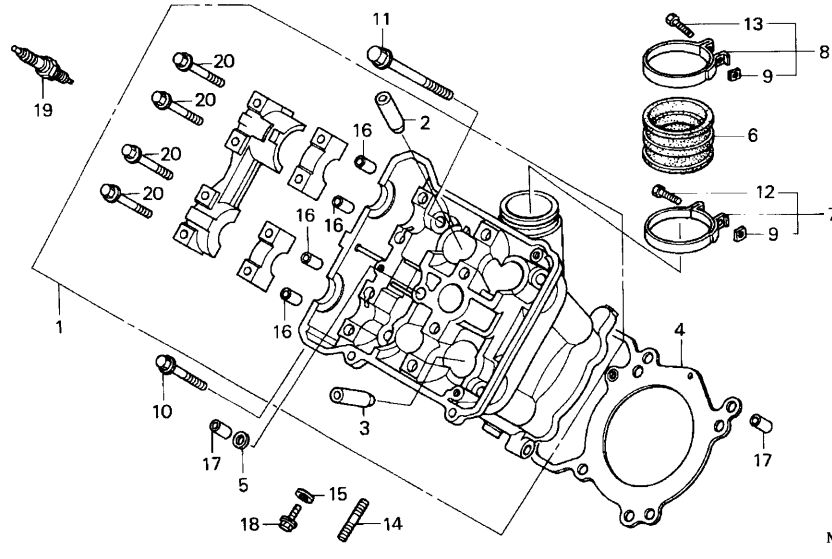
Ref. No.	Part No.	Description	Reqd. QTY		Serial No.	Parts catalogue code
			VTR1000SP	Y		
1	12310-MCF-000	COVER COMP., FR. CYLINDER HEAD	1	1	1	----- CM,E,ED,F
2	12320-MCF-000	COVER COMP., RR. CYLINDER HEAD	1	1	1	----- CM,E,ED,F
3	12341-MAT-750	PLATE, PORT (AI) .....	2	2	2	----- CM,E,ED,F
4	12391-MCF-000	GASKET, FR. CYLINDER HEAD				
		COVER	1	1	1	
5	12396-MCF-000	GASKET, RR. CYLINDER HEAD				
		COVER	1	1	1	
6	18601-MCF-003	VALVE COMP., REED .....	2	2	2	----- CM,E,ED,F
7	18612-MBB-630	COVER, REED VALVE .....	2	2	2	----- CM,E,ED,F
8	90007-892-000	BOLT, FLANGE, 5X12 .....	4	4	4	----- CM,E,ED,F
9	90017-MAL-600	BOLT, HEAD COVER .....	4	4	4	
10	90017-MCF-000	BOLT, HEAD COVER .....	2	2	2	
11	90543-MV9-670	RUBBER, MOUNTING .....	6	6	6	
12	12310-MCF-650	COVER COMP., FR. CYLINDER HEAD	1	1	1	----- U
13	12321-MCF-650	COVER, RR. CYLINDER HEAD .....	1	1	1	----- U



E-2

## CYLINDER HEAD(FRONT)

E 2



Service item	F.R.T.
PLUG, SPARK .....	0.3
(VTR1000SP2 MODEL 0.1)	
BOLT, STUD, 8X24 .....	0.8
(ADD 0.1 FOR EACH.)	
INSULATOR, THROTTLE BODY .....	0.9
(ADD 0.1 FOR EACH.)	
GASKET, FR. CYLINDER HEAD .....	3.3
(ADD 1.0 FOR EACH.)	
GUIDE, VALVE .....	3.8
(INC. REAMING)	
(ADD 0.3 FOR EACH.)	
(EXC. VALVE REFACING)	
(ADD MORE 0.2 IF PERFORMED.)	
HEAD ASSY., FR. CYLINDER .....	4.4
(ADD 2.1 FOR EACH.)	

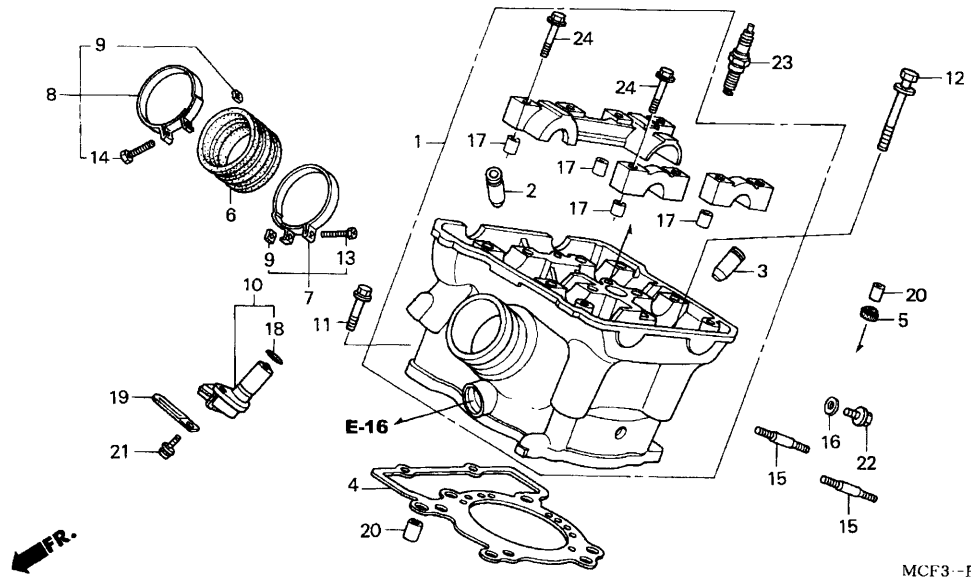
Ref. No.	Part No.	Description	Reqd. QTY		Serial No.	Parts catalogue code
			VTR1000SP			
			Y	1	2	
1	12010-MCF-000	HEAD ASSY., FR. CYLINDER .....	1	1	-	----- CM,E,ED,F
	12010-MCF-650	.....	1	1	-	----- U
	12010-MCF-D30	.....	-	-	1	----- CM,E,ED,F
	12010-MCF-U20	.....	-	-	1	----- U
2	12204-MBB-305	GUIDE, IN. VALVE (O.S.) .....	2	2	2	
3	12205-MCF-305	GUIDE, EX. VALVE (O.S.) .....	2	2	2	
4	12251-MCF-003	GASKET, FR. CYLINDER HEAD .....	1	1	1	
5	12395-MAT-750	GASKET B, CYLINDER HEAD COVER	1	1	1	----- CM,E,ED,F
6	16211-MCF-640	INSULATOR, THROTTLE BODY .....	1	1	-	
	16211-MCF-D30	.....	-	-	1	
7	16218-MCF-000	BAND, INSULATOR .....	1	1	1	
8	16219-MCF-000	BAND, INSULATOR .....	1	1	-	
	16219-MCF-670	.....	-	-	1	
9	16222-MV4-300	NUT, SQUARE, 5MM .....	2	2	2	
10	90004-GHB-720	BOLT, FLANGE, 6X45(NSHF) .....	2	2	2	
11	90004-MCF-000	BOLT-WASHER, 11X105 .....	4	4	4	
12	90005-MAS-E00	BOLT, RECESSED, 5X28 .....	1	1	1	
13	90023-MM5-000	BOLT, RECESSED, 5X28 .....	1	1	1	
14	90035-MZ1-000	BOLT, STUD, 8X24 .....	2	2	2	
15	90463-ML7-000	WASHER, SEALING, 6.5MM .....	1	1	1	
16	90701-MR7-000	DOWEL PIN, 9X14 .....	6	6	6	
17	94301-10160	DOWEL PIN, 10X16 .....	2	2	2	----- U
			3	3	3	----- CM,E,ED,F
18	96001-06014-00	BOLT, FLANGE, 6X14 .....	1	1	1	
19	98079-5915U	PLUG, SPARK (IK27C11)(DENSO)	1	1	-	
	98079-5917U	PLUG, SPARK (FR9BI-11)(NGK)	1	1	-	



E-2-1

CYLINDER HEAD(REAR)

E 4



Service item	F.R.T.
PLUG, SPARK .....	0.2
PICK UP ASSY. ....	0.4
BOLT, STUD, 8X24 (ADD 0.1 FOR EACH.)	0.9
INSULATOR, THROTTLE BODY (ADD 0.1 FOR EACH.)	
GASKET, RR. CYLINDER HEAD .....	3.0
GUIDE, VALVE .....	3.5
(INC. REAMING) (ADD 0.3 FOR EACH.) (EXC. VALVE REFACING) (ADD MORE 0.2 IF PERFORMED.)	
HEAD ASSY., RR. CYLINDER .....	4.1

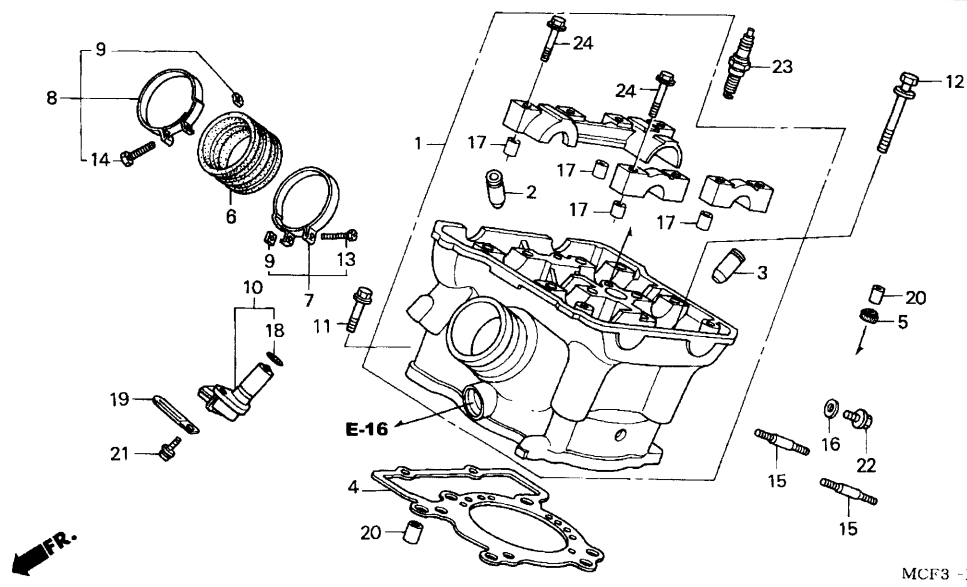
Ref. No.	Part No.	Description	Reqd. QTY			Serial No.	Parts catalogue code
			VTR1000SP	Y	1 2		
1	12020-MCF-000	HEAD ASSY., RR. CYLINDER .....	1	1	-	----- CM,E,ED,F	
	12020-MCF-650	.....	1	1	-	----- U	
	12020-MCF-D30	.....	-	-	1	----- CM,E,ED,F	
	12020-MCF-U20	.....	-	-	1	----- U	
2	12204-MBB-305	GUIDE, IN. VALVE (O.S.) .....	2	2	2		
3	12205-MCF-305	GUIDE, EX. VALVE (O.S.) .....	2	2	2		
4	12252-MCF-003	GASKET, RR. CYLINDER HEAD .....	1	1	1		
5	12395-MAT-750	GASKET B, CYLINDER HEAD COVER	1	1	1	----- CM,E,ED,F	
6	16211-MCF-640	INSULATOR, THROTTLE BODY .....	1	1	-		
	16211-MCF-D30	.....	-	-	1		
7	16218-MCF-000	BAND, INSULATOR .....	1	1	1		
8	16219-MCF-000	BAND, INSULATOR .....	1	1	-		
	16219-MCF-670	.....	-	-	1		
9	16222-MV4-300	NUT, SQUARE, 5MM .....	2	2	2		
10	28810-P7Z-004	PICK UP ASSY. ....	1	1	1		
11	90004-GHB-720	BOLT, FLANGE, 6X45(NSHF) .....	2	2	2		
12	90004-MCF-000	BOLT-WASHER, 11X105 .....	4	4	4		
13	90005-MAS-E00	BOLT, RECESSED, 5X28 .....	1	1	1		
14	90023-MM5-000	BOLT, RECESSED, 5X28 .....	1	1	1		
15	90035-MZ1-000	BOLT, STUD, 8X24 .....	2	2	2		
16	90463-ML7-000	WASHER, SEALING, 6.5MM .....	1	1	1		
17	90701-MR7-000	DOWEL PIN, 9X14 .....	6	6	6		
18	91309-PX4-003	O-RING, 16X2.1 .....	1	1	1		
19	91410-679-000	CLIP, 2X60 .....	1	1	1		
20	94301-10160	DOWEL PIN, 10X16 .....	2	2	2	----- U	
			3	3	3	----- CM,E,ED,F	

2

# E-2-1

# CYLINDER HEAD(REAR)

E 5



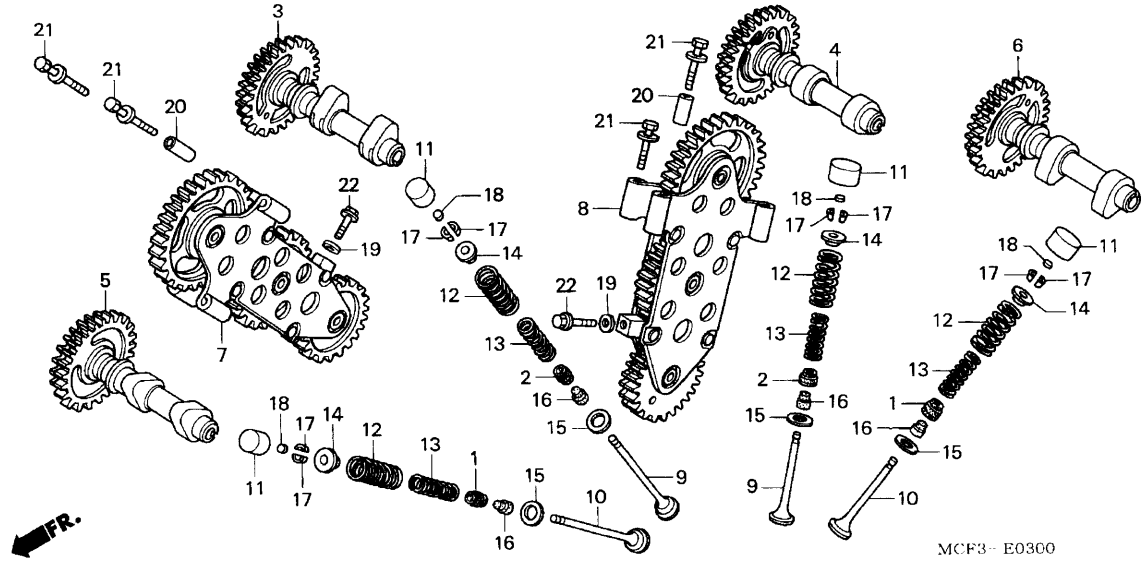
Ref. No.	Part No.	Description	Reqd. QTY			Serial No.	Parts catalogue code
			VTR1000SP	Y	1		
21	95701-06018-07	BOLT, FLANGE, 6X18 .....	1	1	1		
22	96001-06014-00	BOLT, FLANGE, 6X14 .....	1	1	1		
23	98079-5915U	PLUG, SPARK (IK27C11)(DENSO)	1	1	-		
	98079-5917U	PLUG, SPARK (FR9BI-11)(NGK)	1	1	-		
	98079-5815U	PLUG, SPARK (IK24C11)(DENSO)	(1)	(1)	-		
	98079-5817U	PLUG, SPARK (FR8BI-11)(NGK)	(1)	(1)	-		
	31919-MEB-671	PLUG, SPARK (IFR9H11)(NGK)	-	-	1		
	31919-MEB-672	PLUG, SPARK (VK27PRZ11)(DENSO)	-	-	1		
	31918-MEB-671	PLUG, SPARK (IFR8H11)(NGK)	-	-	(1)		
	31918-MEB-672	PLUG, SPARK (VK24PRZ11)(DENSO)	-	-	(1)		
24	90002-MCF-000	BOLT, FLANGE, 7X50 .....	8	8	8		

2

E-3

CAMSHAFT/VALVE

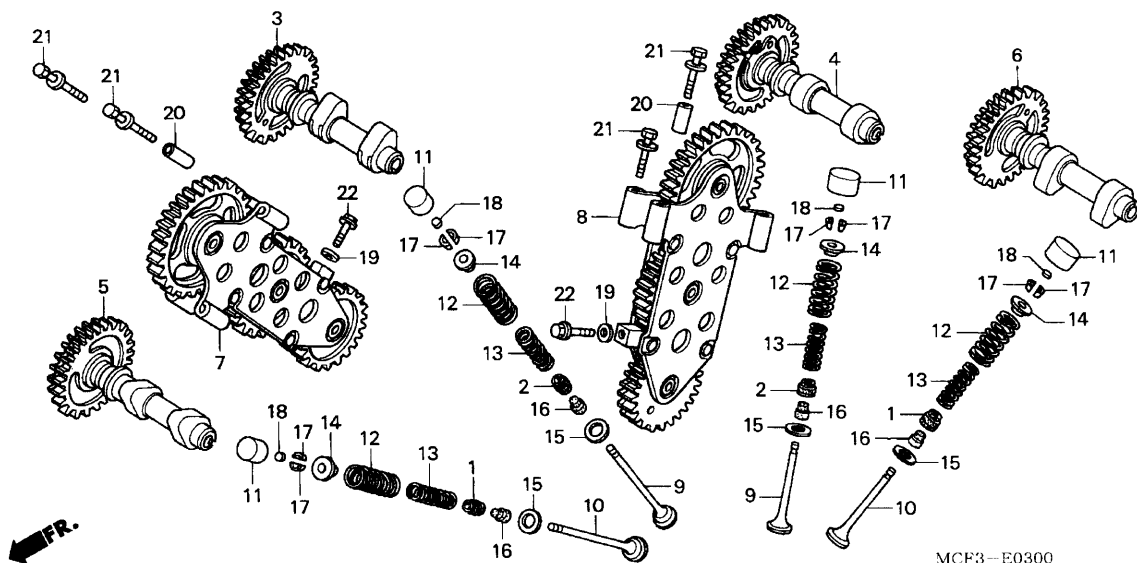
E 6



Service item	F.R.T.
CAMSHAFT COMP., RR. EX. .... (ADD 0.2 FOR EACH.)	1.4
.CAMSHAFT COMP., RR. IN.	
CAMSHAFT COMP., FR. EX. .... (ADD 0.2 FOR EACH.)	1.7
.CAMSHAFT COMP., FR. IN.	
GEAR TRAIN COMP., RR. ....	3.1
GEAR TRAIN COMP., FR. ....	3.4
SPRING, VALVE .....	3.5
(RR.CYLINDER SIDE 3.2) (ADD 0.1 FOR EACH.) (INC. RELATIVE PART)	
VALVE .....	3.6
(RR.CYLINDER SIDE 3.3) (ADD 0.2 FOR EACH.) (INC. REFACING) (EXC. VALVE GUIDE REPLACEMENT)	

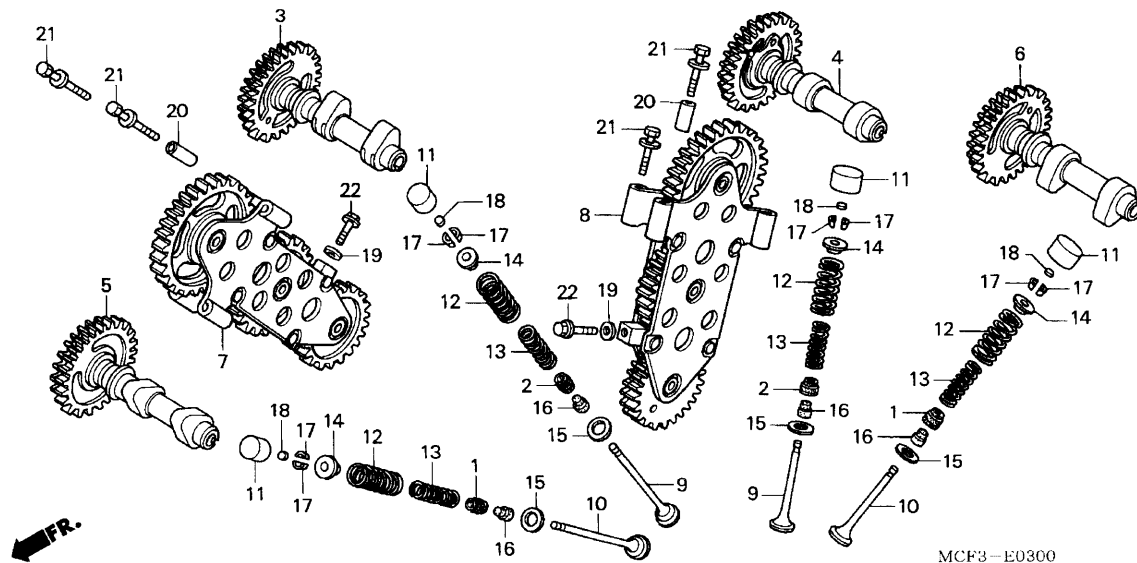
Ref. No.	Part No.	Description	Reqd. QTY			Serial No.	Parts catalogue code
			VTR1000SP	Y	1 2		
1	12208-MBB-003	SEAL, EX. VALVE STEM .....	4	4	4		
2	12209-MBB-003	SEAL, VALVE STEM .....	4	4	4		
3	14110-MCF-000	CAMSHAFT COMP., FR. IN. ....	1	1	1		
4	14120-MCF-000	CAMSHAFT COMP., RR. IN. ....	1	1	1		
5	14130-MCF-000	CAMSHAFT COMP., FR. EX. ....	1	1	1		
6	14140-MCF-000	CAMSHAFT COMP., RR. EX. ....	1	1	1		
7	14410-MCF-000	GEAR TRAIN COMP., FR. ....	1	1	1		
8	14420-MCF-000	GEAR TRAIN COMP., RR. ....	1	1	1		
9	14711-MCF-000	VALVE, IN. ....	4	4	4		
10	14721-MCF-000	VALVE, EX. ....	4	4	4		
11	14731-MCF-003	LIFTER, VALVE .....	8	8	8		
12	14751-MCF-000	SPRING, VALVE OUTER .....	8	8	8		
13	14761-MCF-000	SPRING, VALVE INNER .....	8	8	8		
14	14771-MBB-000	RETAINER, VALVE SPRING .....	8	8	8		
15	14775-MBB-000	SEAT, VALVE SPRING OUTER ....	8	8	8		
16	14776-MBB-000	SEAT, VALVE SPRING INNER ....	8	8	8		
17	14781-MBB-003	COTTER, VALVE .....	16	16	16		
18	14901-MBB-000	SHIM, TAPPET (1.20) .....	8	8	8		
	14902-MBB-000	SHIM, TAPPET (1.225) .....	8	8	8		
	14903-MBB-000	SHIM, TAPPET (1.250) .....	8	8	8		
	14904-MBB-000	SHIM, TAPPET (1.275) .....	8	8	8		
	14905-MBB-000	SHIM, TAPPET (1.30) .....	8	8	8		
	14906-MBB-000	SHIM, TAPPET (1.325) .....	8	8	8		
	14907-MBB-000	SHIM, TAPPET (1.350) .....	8	8	8		
	14908-MBB-000	SHIM, TAPPET (1.375) .....	8	8	8		
	14909-MBB-000	SHIM, TAPPET (1.40) .....	8	8	8		

2



MCP3-E0300

Ref. No.	Part No.	Description	Reqd. QTY			Serial No.	Parts catalogue code
			VTR1000SP	Y	1		
18)	14910-MBB-000	SHIM, TAPPET (1.425) .....	8	8	8		
	14911-MBB-000	SHIM, TAPPET (1.450) .....	8	8	8		
	14912-MBB-000	SHIM, TAPPET (1.475) .....	8	8	8		
	14913-MBB-000	SHIM, TAPPET (1.50) .....	8	8	8		
	14914-MBB-000	SHIM, TAPPET (1.525) .....	8	8	8		
	14915-MBB-000	SHIM, TAPPET (1.550) .....	8	8	8		
	14916-MBB-000	SHIM, TAPPET (1.575) .....	8	8	8		
	14917-MBB-000	SHIM, TAPPET (1.60) .....	8	8	8		
	14918-MBB-000	SHIM, TAPPET (1.625) .....	8	8	8		
	14919-MBB-000	SHIM, TAPPET (1.650) .....	8	8	8		
	14920-MBB-000	SHIM, TAPPET (1.675) .....	8	8	8		
	14921-MBB-000	SHIM, TAPPET (1.70) .....	8	8	8		
	14922-MBB-000	SHIM, TAPPET (1.725) .....	8	8	8		
	14923-MBB-000	SHIM, TAPPET (1.750) .....	8	8	8		
	14924-MBB-000	SHIM, TAPPET (1.775) .....	8	8	8		
	14925-MBB-000	SHIM, TAPPET (1.80) .....	8	8	8		
	14926-MBB-000	SHIM, TAPPET (1.825) .....	8	8	8		
	14927-MBB-000	SHIM, TAPPET (1.850) .....	8	8	8		
	14928-MBB-000	SHIM, TAPPET (1.875) .....	8	8	8		
	14929-MBB-000	SHIM, TAPPET (1.90) .....	8	8	8		
	14930-MBB-000	SHIM, TAPPET (1.925) .....	8	8	8		
	14931-MBB-000	SHIM, TAPPET (1.950) .....	8	8	8		
	14932-MBB-000	SHIM, TAPPET (1.975) .....	8	8	8		
	14933-MBB-000	SHIM, TAPPET (2.00) .....	8	8	8		
	14934-MBB-000	SHIM, TAPPET (2.025) .....	8	8	8		
	14935-MBB-000	SHIM, TAPPET (2.050) .....	8	8	8		
	14936-MBB-000	SHIM, TAPPET (2.075) .....	8	8	8		
	14937-MBB-000	SHIM, TAPPET (2.10) .....	8	8	8		
	14938-MBB-000	SHIM, TAPPET (2.125) .....	8	8	8		



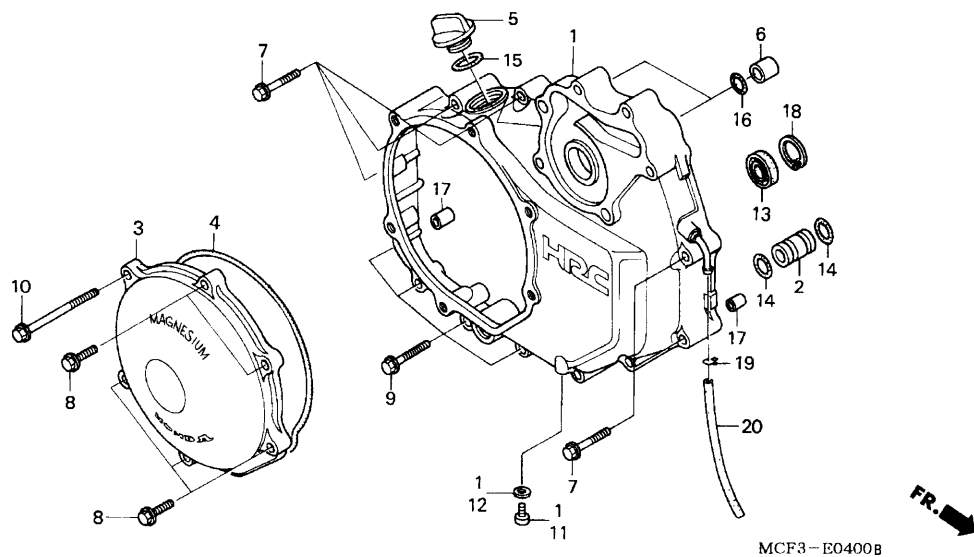
Ref. No.	Part No.	Description	Reqd. QTY			Serial No.	Parts catalogue code
			Y	1	2		
18)	14939-MBB-000	SHIM, TAPPET (2.150) .....	8	8	8		
	14940-MBB-000	SHIM, TAPPET (2.175) .....	8	8	8		
	14941-MBB-000	SHIM, TAPPET (2.20) .....	8	8	8		
	14942-MBB-000	SHIM, TAPPET (2.225) .....	8	8	8		
	14943-MBB-000	SHIM, TAPPET (2.250) .....	8	8	8		
	14944-MBB-000	SHIM, TAPPET (2.275) .....	8	8	8		
	14945-MBB-000	SHIM, TAPPET (2.30) .....	8	8	8		
	14946-MBB-000	SHIM, TAPPET (2.325) .....	8	8	8		
	14947-MBB-000	SHIM, TAPPET (2.350) .....	8	8	8		
	14948-MBB-000	SHIM, TAPPET (2.375) .....	8	8	8		
	14949-MBB-000	SHIM, TAPPET (2.40) .....	8	8	8		
	14950-MBB-000	SHIM, TAPPET (2.425) .....	8	8	8		
	14951-MBB-000	SHIM, TAPPET (2.450) .....	8	8	8		
19	90441-ME9-000	WASHER, SEALING, 8MM .....	2	2	2		
20	91104-KT7-000	DOWEL PIN, 8X31.5 .....	4	4	4		
21	93411-06050-08	BOLT-WASHER, 6X50 .....	8	8	8		
22	95701-08040-00	BOLT, FLANGE, 8X40 .....	2	2	2		



E-4

## RIGHT CRANKCASE COVER

E 9



Service item	F.R.T.
COVER COMP., CLUTCH .....	0.3
COVER COMP., R. ....	1.2

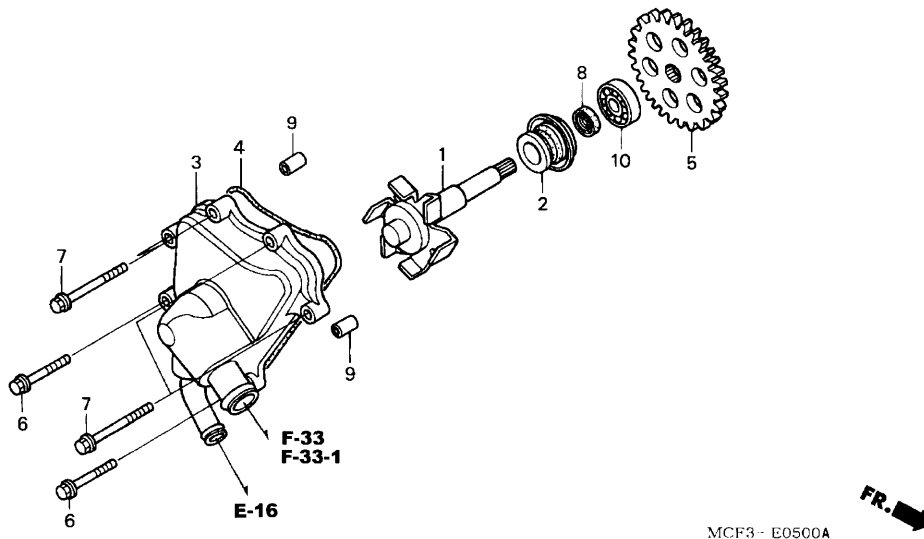
Ref. No.	Part No.	Description	Reqd. QTY		Serial No.	Parts catalogue code
			VTR1000SP			
			Y	1	2	
1	11330-MCF-000	COVER COMP., R. ....	1	1	1	
2	11332-MCF-000	COLLAR, SPECIAL .....	1	1	1	
3	11350-MCF-000	COVER COMP., CLUTCH .....	1	1	1	
4	11356-MCF-000	GASKET, CLUTCH COVER .....	1	1	1	
5	15611-KA4-710	CAP, OIL FILLER .....	1	1	1	
6	51486-087-711	COLLAR, FR. CUSHION OUTER ...	2	2	2	
7	90004-GHB-690	BOLT, FLANGE, 6X32(NSHF) ....	7	-	-	2005212
	90006-GHB-690	.....	-	-	-	2005213
			-	7	7	
8	90005-GHB-660	BOLT, FLANGE, 6X22(NSHF) ....	5	5	5	
9	90004-GHB-710	BOLT, FLANGE, 6X40(NSHF) ....	4	-	-	2005212
	90006-GHB-710	.....	4	-	-	2005213
			-	4	4	
10	90005-GHB-760	BOLT, FLANGE, 6X65(NSHF) ....	1	1	1	
11	90119-SD9-000	BOLT, SEALING, 8MM .....	1	1	1	
12	90475-703-000	WASHER C, 8MM .....	1	1	1	
13	91201-MCF-003	OIL SEAL, 16X30X6.5 .....	1	1	1	
14	91301-MCF-000	O-RING, 19.9X3.1 .....	2	2	2	
15	91307-KF0-003	O-RING, 18X3(ARAI) .....	1	1	1	
16	91310-PH3-003	O-RING, 18X2.4 .....	2	2	2	
17	94301-08200	DOWEL PIN, 8X20 .....	2	2	2	
18	94520-32000	CIRCLIP, INTERNAL, 32MM .....	1	1	1	
19	95002-02100	CLIP, TUBE (B10) .....	1	1	1	
20	95005-55300-10	TUBE, 5.3X300(95005-55001-10M)	1	1	1	



E-5

WATER PUMP

E10



Service item	F.R.T.
GASKET, WATER PUMP COVER .....	0.6
COVER COMP., WATER PUMP .....	0.7
GEAR, WATER PUMP DRIVEN .....	0.9
IMPELLER COMP., WATER PUMP ...	1.0
BEARING, RADIAL BALL, 6200 ...	1.1
.OIL SEAL, 12X22X5	
SEAL, MECHANICAL .....	1.2

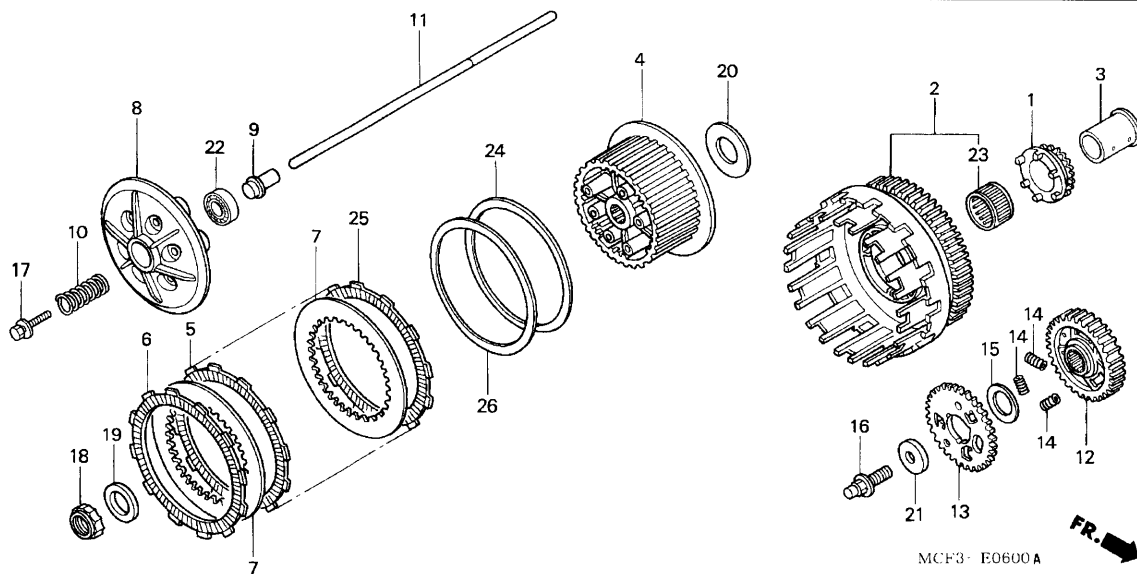
Ref. No.	Part No.	Description	Reqd. QTY			Serial No.	Parts catalogue code
			VTR1000SP	Y	1		
1	19210-MCF-000	IMPELLER COMP., WATER PUMP ..	1	1	1		
2	19217-MAL-300	SEAL, MECHANICAL .....	1	1	1		
3	19220-MCF-000	COVER COMP., WATER PUMP .....	1	1	1		
4	19226-MCF-000	GASKET, WATER PUMP COVER .....	1	1	1		
5	19231-MCF-300	GEAR, WATER PUMP DRIVEN (30T)	1	1	1		
6	90004-GHB-680	BOLT, FLANGE, 6X28(NSHF) .....	2	-	-	-----	2005212
	90006-GHB-680	.....	2	-	-	2005213	
		.....	-	2	2		
7	90004-GHB-740	BOLT, FLANGE, 6X55(NSHF) .....	4	-	-	-----	2008253
	90006-GHB-740	.....	4	-	-	2008254	
		.....	-	4	4		
8	91201-148-003	OIL SEAL, 12X22X5(ARAI) .....	1	1	1		
9	94301-08140	DOWEL PIN, 8X14 .....	2	2	2		
10	96100-62003-00	BEARING, RADIAL BALL, 6200 ..	1	1	1		

2

E-6

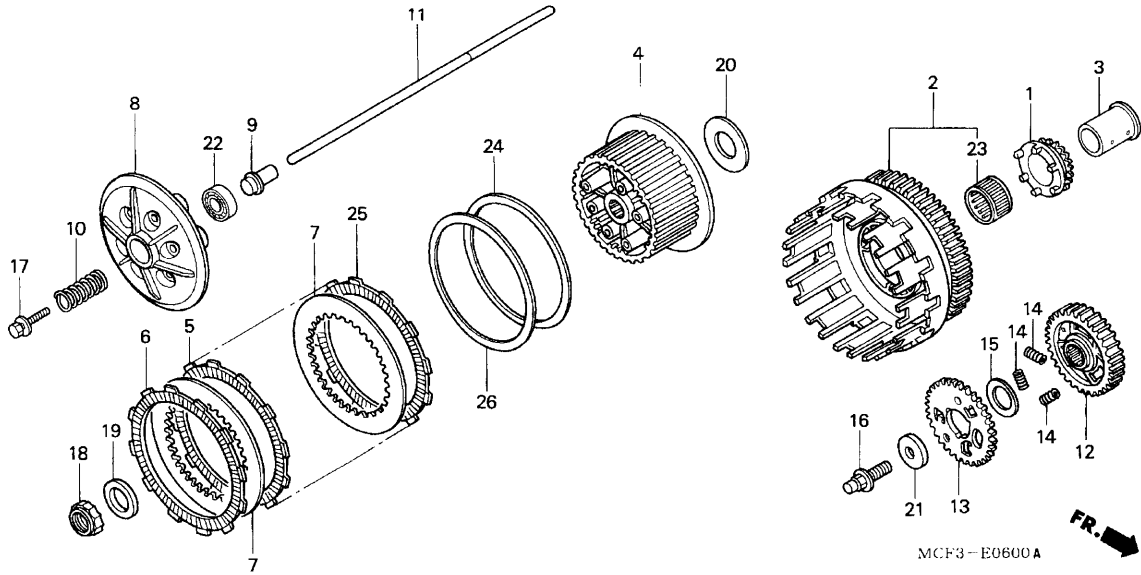
## CLUTCH

E11



Service item	F.R.T.
ROD COMP., CLUTCH LIFTER .....	0.3
SPRING, CLUTCH .....	0.4
(SAME TIME FOR TWO UNITS OR MORE)	
DISK, CLUTCH FRICTION .....	0.5
(SAME TIME FOR TWO UNITS OR MORE)	
(INC. RELATIVE PART)	
PLATE, CLUTCH PRESSURE	
CENTER, CLUTCH .....	0.6
OUTER COMP., CLUTCH .....	1.2
SPROCKET, OIL PUMP DRIVE .....	1.3
GEAR, PRIMARY DRIVE .....	1.4
(INC. RELATIVE PART)	

Ref. No.	Part No.	Description	Reqd. QTY		Serial No.	Parts catalogue code
			VTR1000SP			
			Y	1	2	
1	15131-MAS-003	SPROCKET, OIL PUMP DRIVE (25T)	1	1	1	
2	22100-MCF-000	OUTER COMP., CLUTCH .....	1	1	-	
	22100-MCF-D30	.....	-	-	1	
3	22116-MCF-000	GUIDE, CLUTCH OUTER .....	1	1	1	
4	22120-MCF-000	CENTER, CLUTCH .....	1	1	1	
5	22201-MAT-E00	DISK, CLUTCH FRICTION .....	5	5	5	
6	22201-MAT-000	DISK A, CLUTCH FRICTION .....	1	1	1	
7	22321-MAT-000	PLATE, CLUTCH .....	6	6	6	
8	22350-MCF-000	PLATE, CLUTCH PRESSURE .....	1	1	1	
9	22366-MS2-611	PIECE, CLUTCH JOINT .....	1	1	1	
10	22401-MCF-000	SPRING, CLUTCH .....	6	6	6	
11	22850-MBB-000	ROD COMP., CLUTCH LIFTER .....	1	1	1	
12	23103-MCF-000	GEAR, PRIMARY DRIVE (40T) ...	1	1	1	
13	23104-MCF-000	SUB GEAR, PRIMARY (40T) .....	1	1	1	
14	23115-MW4-000	SPRING, PRIMARY DAMPER .....	3	3	3	
15	23117-MV1-003	SPRING, PRIMARY DRIVE FRICTION	1	1	1	
16	90001-MCF-000	BOLT, FLANGE, 12X30 .....	1	1	1	
17	90022-MAT-E00	BOLT-WASHER, 6X35 .....	6	6	6	
18	90231-MS2-610	NUT, LOCK, 25MM .....	1	1	1	
19	90401-MBB-000	WASHER, 25.1X37X5 .....	1	1	1	
20	90401-MS2-610	WASHER, THRUST, 28.2X56X2 ...	1	1	1	
21	90402-MBB-000	WASHER, 12.5X36X6 .....	1	1	1	
22	91009-MAS-003	BEARING, RADIAL BALL, 16003 ..	1	1	1	
23	91025-MT7-003	BEARING, NEEDLE, 35X42X26(NTN)	1	1	1	
24	22125-MAT-000	SEAT, JUDDER SPRING .....	-	-	1	



Ref. No.	Part No.	Description	Reqd. QTY		Serial No.	Parts catalogue code
			VTR1000SP	Y 1 2		
25	22201-MAT-000	DISK A, CLUTCH FRICTION .....	1	1	-	
	22202-MAT-000	DISK B, CLUTCH FRICTION .....	-	-	1	
26	22402-MAT-000	SPRING, JUDDER .....	-	-	1	



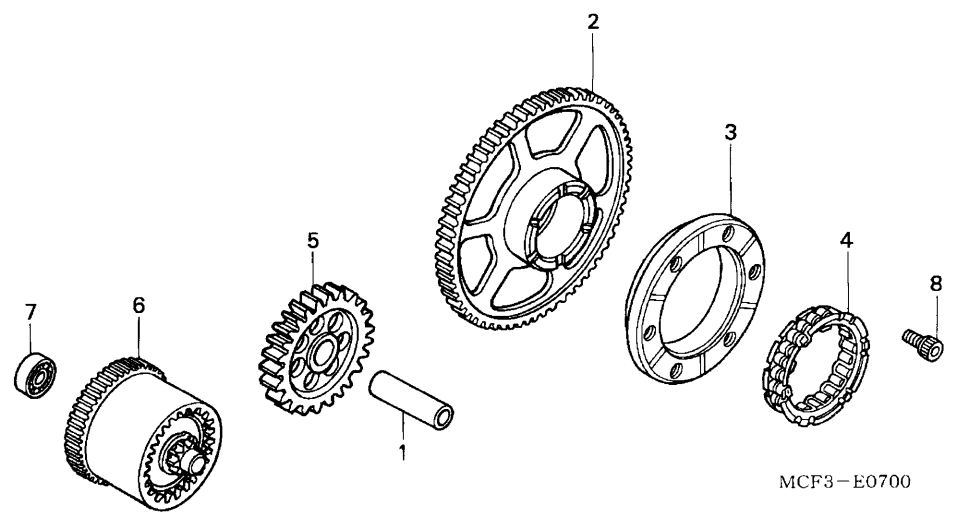
E-7

STARTING CLUTCH

E13

2

FR.



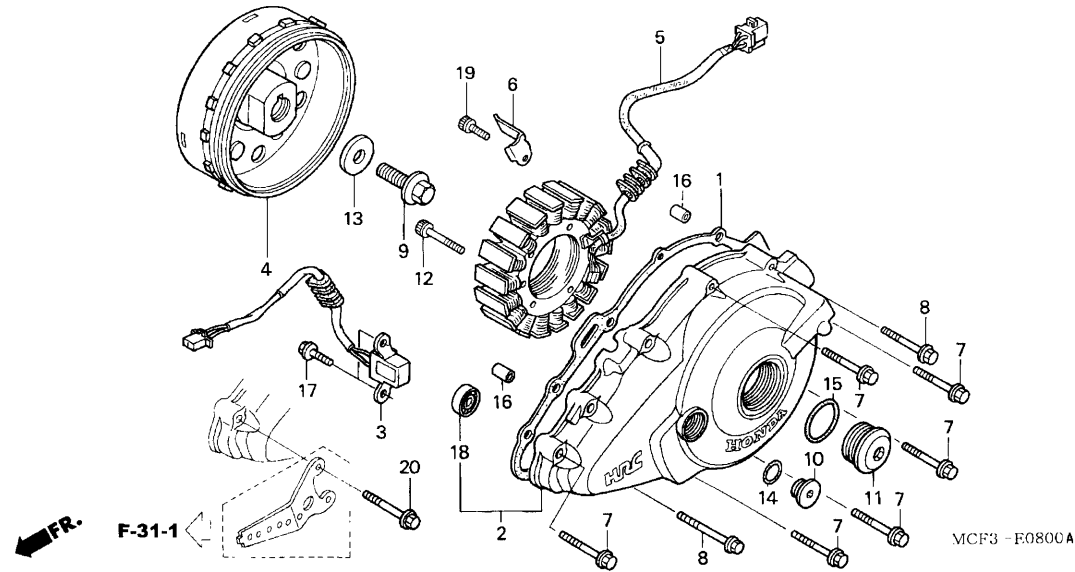
Service item	F.R.T.
GEAR, STARTER IDLE .....	0.6
LIMITER ASSY., TORQUE	
GEAR COMP., STARTING DRIVEN ..	0.8
CLUTCH, ONE WAY .....	0.9

Ref. No.	Part No.	Description	Reqd. QTY			Serial No.	Parts catalogue code
			VTR1000SP	Y	1		
1	13111-166-000	PIN, PISTON .....	1	1	1		
2	28110-MCF-000	GEAR COMP., STARTING DRIVEN (75T)	1	1	1		
3	28121-MAH-000	OUTER, STARTING CLUTCH .....	1	1	1		
4	28126-MBB-003	CLUTCH, ONE WAY .....	1	1	1		
5	28131-MCF-000	GEAR, STARTER IDLE (27T) .....	1	1	1		
6	28140-MCF-003	LIMITER ASSY., TORQUE .....	1	1	1		
7	96100-60000-00	BEARING, RADIAL BALL, 6000 ..	1	1	1		
8	96700-08016-10	BOLT, SOCKET, 8X16 .....	6	6	6		

E-8

## GENERATOR

E14



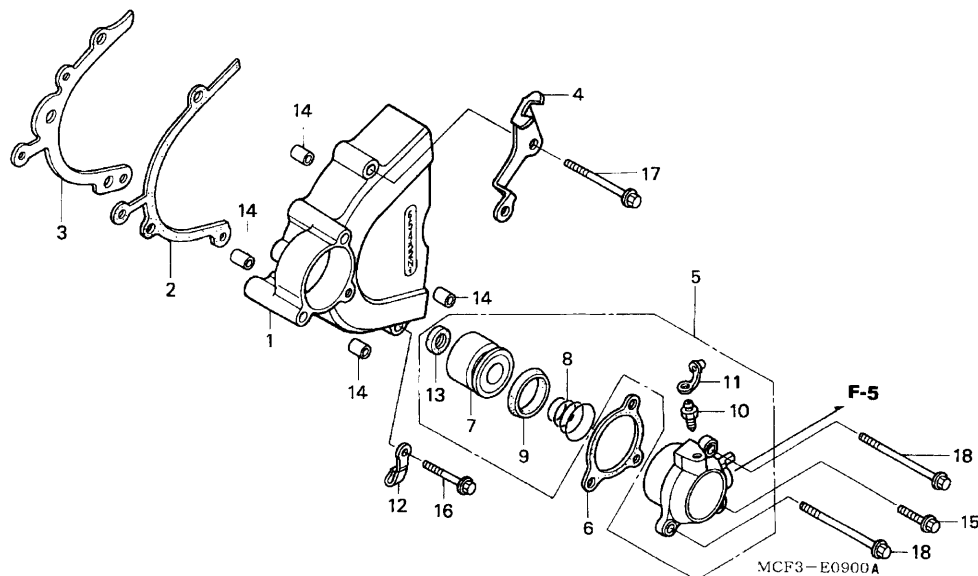
Service item	F.R.T.
GASKET, A.C. GENERATOR COVER	0.6
COVER COMP., A.C. GENERATOR	0.7
FLYWHEEL COMP. ....	0.9
GENERATOR ASSY., PULSE	
STATOR COMP. ....	1.0

Ref. No.	Part No.	Description	Reqd. QTY			Serial No.	Parts catalogue code
			VTR1000SP	Y	1 2		
1	11636-MCF-000	GASKET, A.C. GENERATOR COVER	1	1	1		
2	11640-MCF-000	COVER COMP., A.C. GENERATOR	1	1	1		
3	30300-MCF-000	GENERATOR ASSY., PULSE	1	1	1		
4	31110-MCF-003	FLYWHEEL COMP. ....	1	1	1		
5	31120-MCF-003	STATOR COMP. ....	1	1	-		
	31120-MCF-D30	.....	-	-	1		
6	31131-MR7-000	CLAMPER, A.C. GENERATOR CORD	1	1	1		
7	90004-GHB-690	BOLT, FLANGE, 6X32(NSHF) ....	9	-	-	2005212	
	90006-GHB-690	.....	9	-	-	2005213	
		.....	-	9	7		
8	90004-GHB-710	BOLT, FLANGE, 6X40(NSHF) ....	2	-	-	2005212	
	90006-GHB-710	.....	2	-	-	2005213	
		.....	-	2	2		
9	90023-MBT-010	BOLT, FLANGE, 12X45	1	1	1		
10	90084-MN8-010	CAP, 14MM	1	1	1		
11	90087-KT7-000	CAP, 30MM	1	1	1		
12	90116-375-000	BOLT, SOCKET, 6X38	3	3	-		
	96600-06040-00	BOLT, SOCKET, 6X40	-	-	3		
13	90402-MV1-000	WASHER, 12.2X40X5	1	1	1		
14	91303-377-000	O-RING, 13.8X2.5	1	1	1		
15	91356-425-003	O-RING, 30MM	1	1	1		
16	94301-08140	DOWEL PIN, 8X14	2	2	2		
17	95701-06014-00	BOLT, FLANGE, 6X14	2	2	2		
18	96100-60000-00	BEARING, RADIAL BALL, 6000	1	1	1		
19	96600-06010-00	BOLT, SOCKET, 6X10	1	1	1		
20	90006-GHB-700	BOLT, FLANGE, 6X35(NSHF) ....	-	-	2		

E-9

## LEFT CRANKCASE COVER

E15



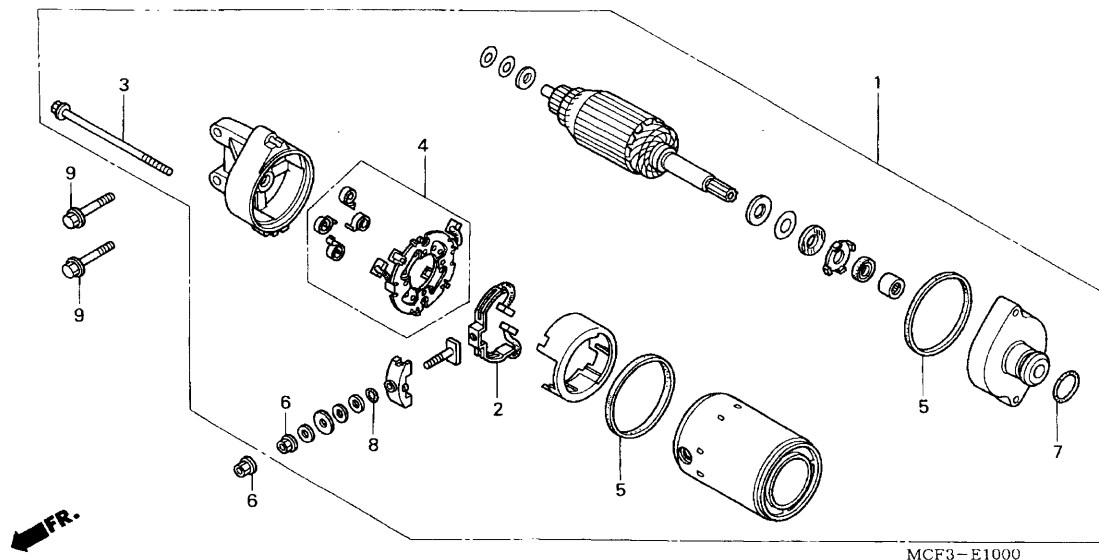
Service item	F.R.T.
COVER COMP., L. CRANKCASE	0.3
.GASKET, SLAVE CYLINDER	
CYLINDER ASSY., SLAVE	0.6
PISTON, SLAVE CYLINDER	0.7
(INC. RELATIVE PART)	

Ref. No.	Part No.	Description	Reqd. QTY			Serial No.	Parts catalogue code
			VTR1000SP	Y	1		
1	11340-MCF-000	COVER COMP., L. CRANKCASE	1	1	1		
2	11344-MCF-000	GASKET, L. CRANKCASE COVER	1	1	1		
3	11365-MBT-000	PLATE, DRIVE CHAIN GUIDE	1	1	1		
4	17951-MCF-000	STAY, CHOKE CABLE	1	1	1		
5	22860-MT7-000	CYLINDER ASSY., SLAVE	1	1	1		
6	22862-MW7-650	GASKET, SLAVE CYLINDER	1	1	1		
7	22863-MJ8-003	PISTON, SLAVE CYLINDER	1	1	1		
8	22864-MT7-006	SPRING, SLAVE CYLINDER	1	1	1		
9	22865-MJ8-003	CUP, SLAVE CYLINDER	1	1	1		
10	22866-MF2-711	SCREW, BLEEDER	1	1	1		
11	43353-461-771	CAP, BLEEDER	1	1	1		
12	90601-KJ9-000	CLIP, 4X50	1	1	1		
13	91209-MB0-003	OIL SEAL, 8X18X5	1	1	1		
14	94301-08140	DOWEL PIN, 8X14	4	4	4		
15	96001-06020-07	BOLT, FLANGE, 6X20	1	1	1		
16	96001-06040-07	BOLT, FLANGE, 6X40	1	1	1		
17	96001-06050-07	BOLT, FLANGE, 6X50	1	1	1		
18	96001-06060-07	BOLT, FLANGE, 6X60	2	2	2		

# E-10

# STARTING MOTOR

**E16**



Service item	F.R.T.
MOTOR ASSY., STARTING .....	0.4
HOLDER SET, BRUSH .....	0.6
.TERMINAL SET, BRUSH	

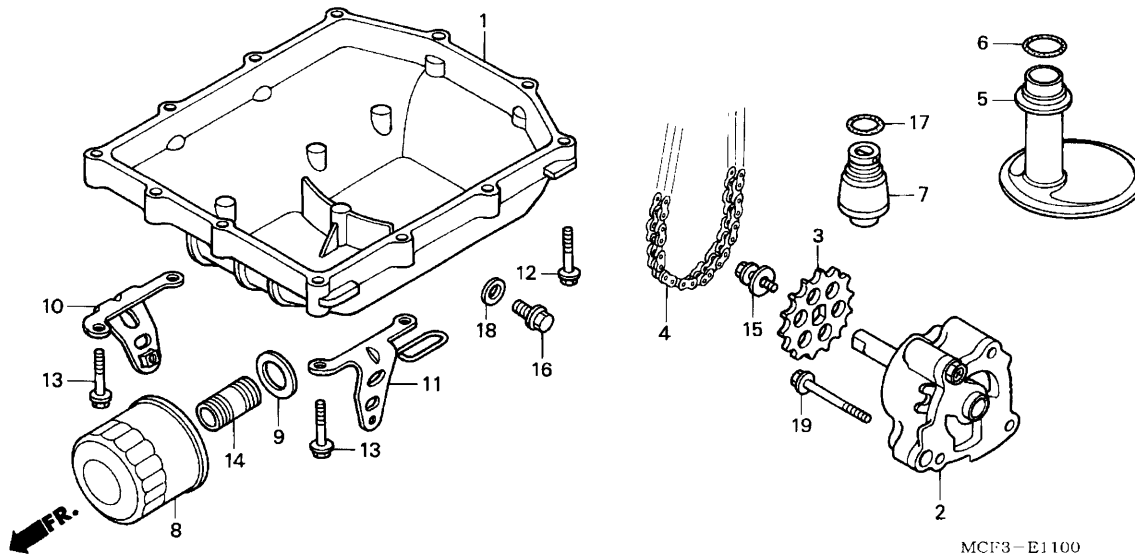
Ref. No.	Part No.	Description	Reqd. QTY			Serial No.	Parts catalogue code
			VTR1000SP	1	2		
1	31200-MCF-003	MOTOR ASSY., STARTING .....	1	1	1		
2	31201-MR6-008	TERMINAL SET, BRUSH .....	1	1	1		
3	31205-MR1-008	BOLT, SETTING .....	2	2	2		
4	31206-MR6-008	HOLDER SET, BRUSH .....	1	1	1		
5	31207-KS5-901	RING .....	2	2	2		
6	90071-MB0-000	NUT-WASHER, 6MM .....	2	2	2		
7	91309-425-003	O-RING, 24.4X3.1(ARAI) .....	1	1	1		
8	91320-MB0-000	O-RING .....	1	1	1		
9	95701-06025-00	BOLT, FLANGE, 6X25 .....	2	2	2		

**2**

# E-11

# OIL PUMP

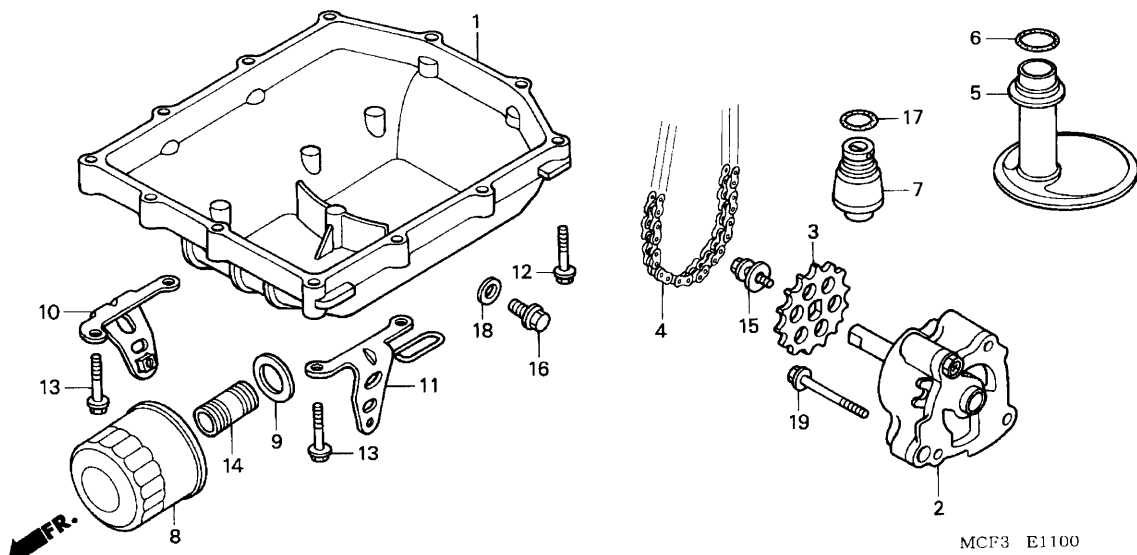
F 1



Service item	F.R.T.
CARTRIDGE, OIL FILTER .....	0.4
PAN, OIL .....	1.1
.STRAINER COMP., OIL	
.VALVE ASSY., RELIEF	
CHAIN, OIL PUMP .....	1.3
.SPROCKET, OIL PUMP DRIVEN	
PUMP ASSY., OIL .....	1.4

Ref. No.	Part No.	Description	Reqd. QTY		Serial No.	Parts catalogue code
			VTR1000SP			
			Y	1	2	
1	11210-MCF-000	PAN, OIL .....	1	1	1	
2	15100-MCF-000	PUMP ASSY., OIL .....	1	1	1	
3	15134-KE8-010	SPROCKET, OIL PUMP DRIVEN				
		(21T)	1	1	1	
4	15140-415-003	CHAIN, OIL PUMP (52L)(DAIDO)	1	1	1	
5	15150-MCF-000	STRAINER COMP., OIL .....	1	1	1	
6	15154-MM5-000	PACKING, OIL STRAINER .....	1	1	1	
7	15220-MCF-000	VALVE ASSY., RELIEF .....	1	1	1	
8	15410-MT7-003	CARTRIDGE, OIL FILTER .....	1	-	-	
	15410-MCJ-000	CARTRIDGE, OIL FILTER				
		(TOYO ROKI)	-	1	1	
9	15414-300-000	SEAT, OIL FILTER SPRING .....	1	1	1	
10	64513-MCF-000	STAY, R. LOWER COWL .....	1	-	1	
	64513-MCF-D00	.....	-	1	-	----- CM
						----- E,ED,F,U
11	64514-MCF-000	STAY, L. LOWER COWL .....	1	-	1	
	64514-MCF-D00	.....	-	1	-	----- CM
						----- E,ED,F,U
12	90004-GHB-690	BOLT, FLANGE, 6X32(NSHF) .....	8	-	-	2005212
	90006-GHB-690	.....	8	-	-	2005213
			-	8	8	
13	90004-GHB-700	BOLT, FLANGE, 6X35(NSHF) .....	4	-	-	2005212
	90006-GHB-700	.....	4	-	-	2005213
			-	4	4	
14	90019-MB0-000	BOSS, OIL FILTER .....	1	1	1	
15	90021-MM5-000	BOLT-WASHER, 6X12 .....	1	1	1	





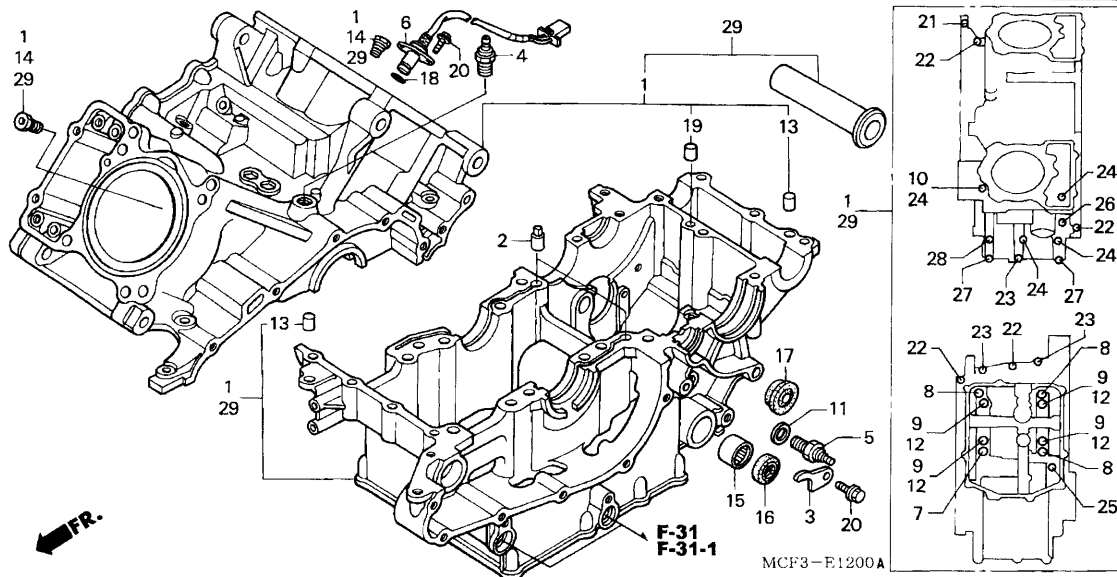
Ref. No.	Part No.	Description	Reqd. QTY			Serial No.	Parts catalogue code
			VTR1000SP	Y	1		
16	90131-883-000	BOLT, DRAIN PLUG, 12X15 .....	1	1	1		
17	91313-MB0-003	O-RING, 14.7X2.2(ARAI) .....	1	1	1		
18	94109-12000	WASHER, DRAIN PLUG, 12MM .....	1	1	1		
19	95701-06040-00	BOLT, FLANGE, 6X40 .....	3	3	3		



E-12

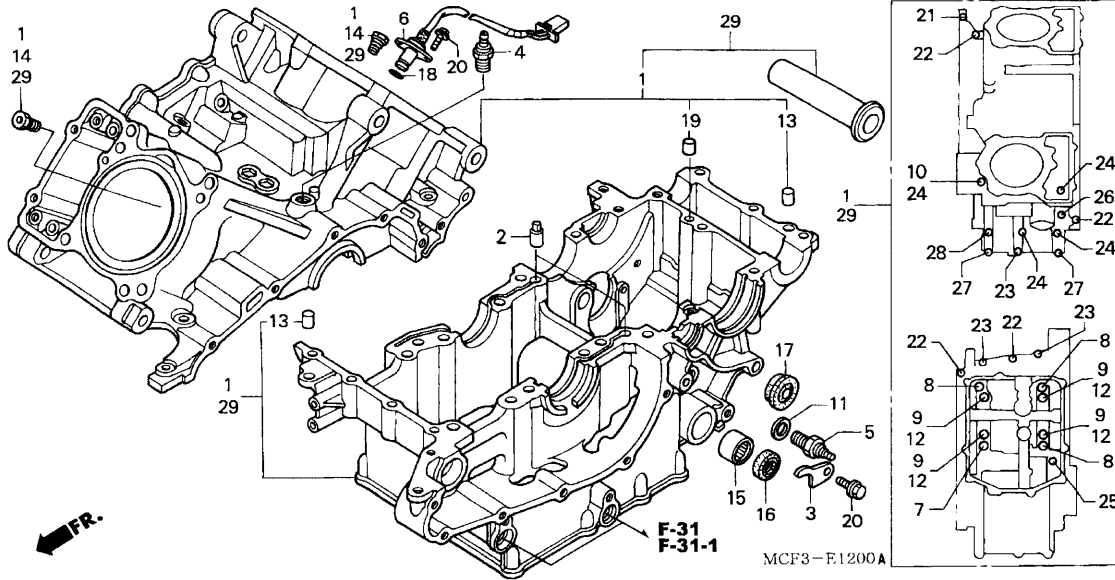
CRANKCASE

F 3



Service item	F.R.T.
SWITCH ASSY., NEUTRAL .....	0.2
SENSOR ASSY., SPEED .....	0.3
SWITCH ASSY., OIL PRESSURE ...	0.7
CRANKCASE SET .....	*10.3

Ref. No.	Part No.	Description	Reqd. QTY		Serial No.	Parts catalogue code
			VTR1000SP			
			Y	1 2		
1	11000-MCF-000	CRANKCASE SET .....	1	1 -		
2	11104-MW0-000	ORIFICE, 1.2MM .....	2	2 2		
3	24612-MAL-600	PLATE, SPINDLE .....	1	1 1		
4	35500-MJ4-024	SWITCH ASSY., OIL PRESSURE (DENSO)	1	1 1		
5	35600-KE8-003	SWITCH ASSY., NEUTRAL (TOYO)	1	1 1		
6	37700-MAL-601	SENSOR ASSY., SPEED .....	1	1 1		
7	90001-MBB-003	BOLT-WASHER, 10X80 .....	1	1 1		
8	90009-MBB-003	BOLT-WASHER, 10X115 .....	3	3 3		
9	90009-MCF-000	BOLT, FLANGE, 10X115 .....	4	4 4		
10	90442-028-000	WASHER, SEALING, 8MM .....	1	1 1		
11	90443-MJ6-000	WASHER, NEUTRAL .....	1	1 1		
12	90453-KCY-670	WASHER, PLAIN, 10MM .....	4	4 4		
13	90701-MV9-670	DOWEL PIN, 10X16 .....	2	2 2		
14	90901-MCF-000	JET, OIL, #80 .....	2	2 2		
15	91106-KM1-013	BEARING, NEEDLE, 14X22X16 ...	1	- -		
	91106-MCF-003	.....	-	1 1		
16	91203-KA4-771	OIL SEAL, 14X22X5(NOK) .....	1	1 1		
17	91204-MG8-003	OIL SEAL, 8X25X7(ARAI) .....	1	1 1		
18	91302-MAL-601	O-RING, 18.1X3.6 .....	1	1 1		
19	94302-08140	PIN B, DOWEL, 8X14 .....	1	1 1		
20	95701-06014-00	BOLT, FLANGE, 6X14 .....	3	3 3		
21	95701-06028-00	BOLT, FLANGE, 6X28 .....	1	1 1		
22	95701-06045-00	BOLT, FLANGE, 6X45 .....	4	4 4		
23	95701-08050-00	BOLT, FLANGE, 8X50 .....	3	3 3		

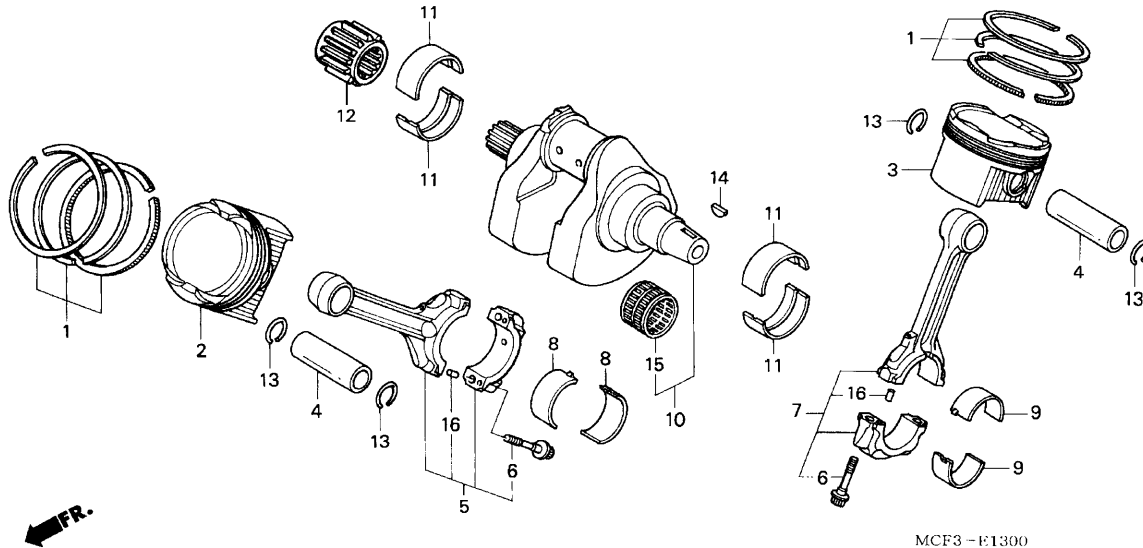


Ref. No.	Part No.	Description	Reqd. QTY			Serial No.	Parts catalogue code
			Y	1	2		
24	95701-08070-00	BOLT, FLANGE, 8X70 .....	4	4	4		
25	95701-08080-00	BOLT, FLANGE, 8X80 .....	1	1	1		
26	95701-08090-00	BOLT, FLANGE, 8X90 .....	1	1	1		
27	95701-10050-00	BOLT, FLANGE, 10X50 .....	2	2	2		
28	95701-10105-00	BOLT, FLANGE, 10X105 .....	1	1	1		
29	11000-MCF-D30	CRANKCASE SET .....	-	-	1		

# E-13

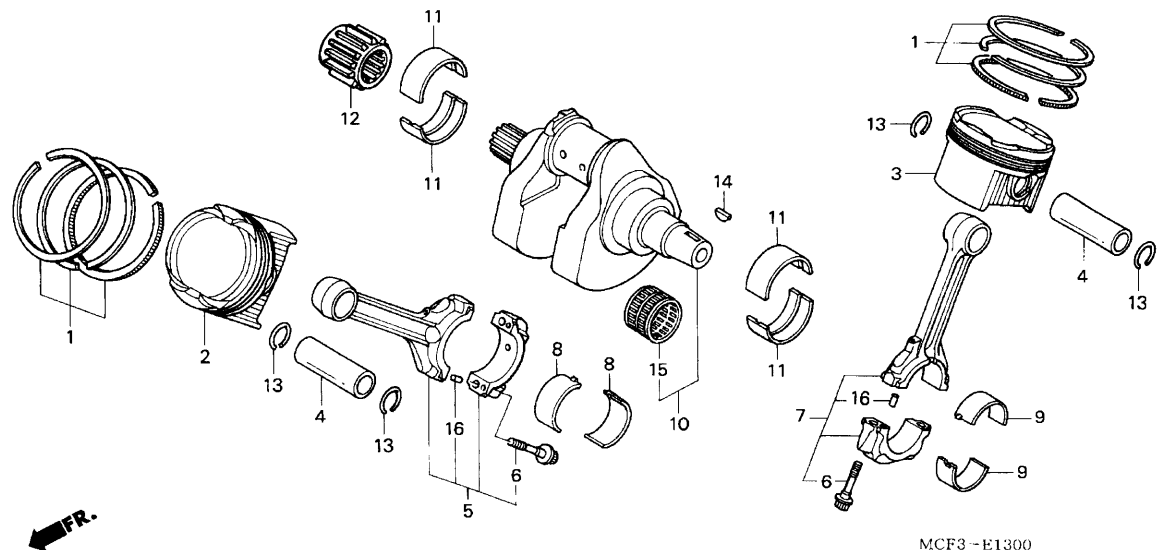
# CRANKSHAFT/PISTON

F 5



Service item	F.R.T.
BEARING, CONNECTING ROD .....	*7.3
(ADD 0.3 FOR EACH.)	
PIN, PISTON .....	*7.5
(ADD 1.1 FOR EACH.)	
PISTON, FR. ....	*7.6
(ADD 1.2 FOR EACH.)	
PISTON, RR.	
PISTON RING SET, PISTON	
(ADD 1.2 FOR EACH.)	
ROD ASSY., CONNECTING .....	*7.8
(ADD 1.4 FOR EACH.)	
BEARING, CRANKSHAFT .....	*8.2
(SAME TIME FOR TWO	
UNITS OR MORE)	
CRANKSHAFT COMP. ....	*8.6

Ref. No.	Part No.	Description	Reqd. QTY			Serial No.	Parts catalogue code
			VTR1000SP	Y	1		
1	13011-MCF-305	RING SET, PISTON (STD.) .....	2	2	2		
	13021-MCF-305	RING SET, PISTON (0.25) .....	(2)	(2)	(2)		
	13031-MCF-305	RING SET, PISTON (0.50) .....	(2)	(2)	(2)		
2	13101-MCF-000	PISTON, FR. (STD.) .....	1	1	1		
	13102-MCF-305	PISTON, FR. (0.25) .....	(1)	(1)	(1)		
	13103-MCF-305	PISTON, FR. (0.50) .....	(1)	(1)	(1)		
3	13105-MCF-000	PISTON, RR. (STD.) .....	1	1	1		
	13106-MCF-305	PISTON, RR. (0.25) .....	(1)	(1)	(1)		
	13107-MCF-305	PISTON, RR. (0.50) .....	(1)	(1)	(1)		
4	13111-MCF-000	PIN, PISTON .....	2	2	-		
	13111-MCF-D30	.....	-	-	2		
5	13210-MCF-000	ROD ASSY., FR. CONNECTING ...	1	1	-		
	13210-MCF-D30	.....	-	-	1		
6	13213-MCF-003	BOLT, CONNECTING ROD .....	4	4	4		
7	13220-MCF-000	ROD ASSY., RR. CONNECTING ...	1	1	-		
	13220-MCF-D30	.....	-	-	1		
8	13224-MCF-003	BEARING A, FR. CONNECTING ROD					
		(BLUE)	2	2	2		
	13225-MCF-003	BEARING B, FR. CONNECTING ROD					
		(BLACK)	2	2	2		
	13226-MCF-003	BEARING C, FR. CONNECTING ROD					
		(BROWN)	2	2	2		
	13227-MCF-003	BEARING D, FR. CONNECTING ROD					
		(GREEN)	2	2	2		
	13228-MCF-003	BEARING E, FR. CONNECTING ROD					
		(YELLOW)	2	2	2		
9	13234-MCF-003	BEARING A, RR. CONNECTING ROD					
		(BLUE)	2	2	2		



MCF3-E1300

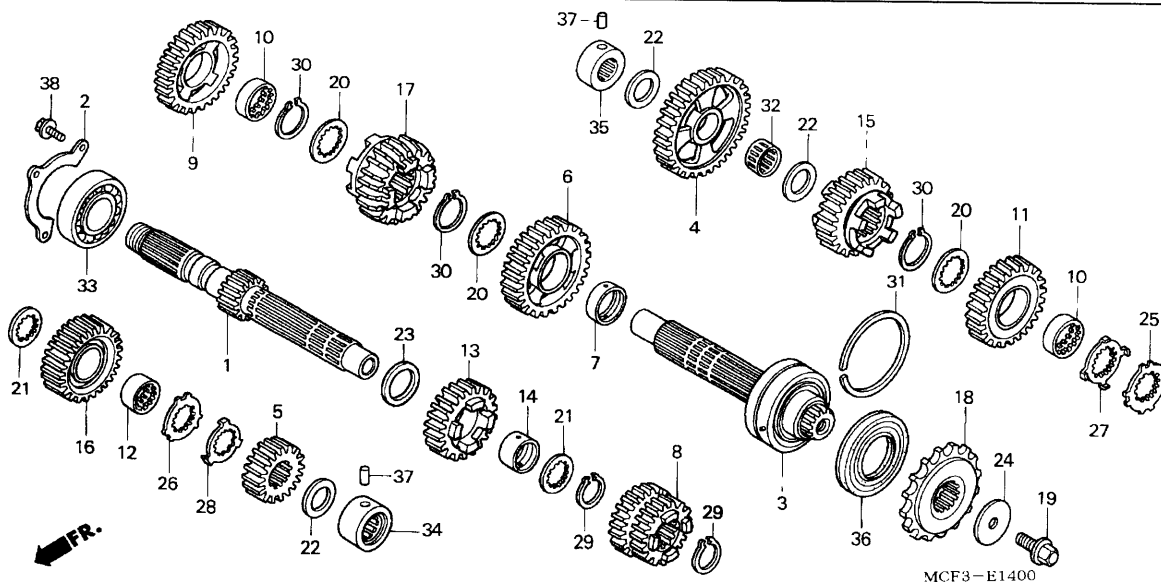
Ref. No.	Part No.	Description	Reqd. QTY			Serial No.	Parts catalogue code
			VTR1000SP	Y	1		
(9)	13235-MCF-003	BEARING B, RR. CONNECTING ROD (BLACK)	2	2	2		
	13236-MCF-003	BEARING C, RR. CONNECTING ROD (BROWN)	2	2	2		
	13237-MCF-003	BEARING D, RR. CONNECTING ROD (GREEN)	2	2	2		
	13238-MCF-003	BEARING E, RR. CONNECTING ROD (YELLOW)	2	2	2		
10	13310-MCF-000	CRANKSHAFT COMP. ....	1	1	-		
	13310-MCF-D30	.....	-	-	1		
11	13313-MCF-003	BEARING A, CRANKSHAFT (BLUE)	4	4	4		
	13314-MCF-003	BEARING B, CRANKSHAFT (BLACK)	4	4	4		
	13315-MCF-003	BEARING C, CRANKSHAFT (BROWN)	4	4	4		
	13316-MCF-003	BEARING D, CRANKSHAFT (GREEN)	4	4	4		
	13317-MCF-003	BEARING E, CRANKSHAFT (YELLOW)	4	4	4		
12	14406-MCF-000	GEAR, TIMING .....	1	1	1		
13	90602-MBN-670	CLIP, PISTON PIN, 23MM .....	4	4	4		
14	90741-413-000	KEY, WOODRUFF, 25X14 .....	1	1	1		
15	91021-MBB-003	BEARING, NEEDLE, 34X44X24 ...	1	1	1		
16	94303-04065	PIN C, DOWEL, 4X6.5 .....	4	4	4		



E-14

TRANSMISSION

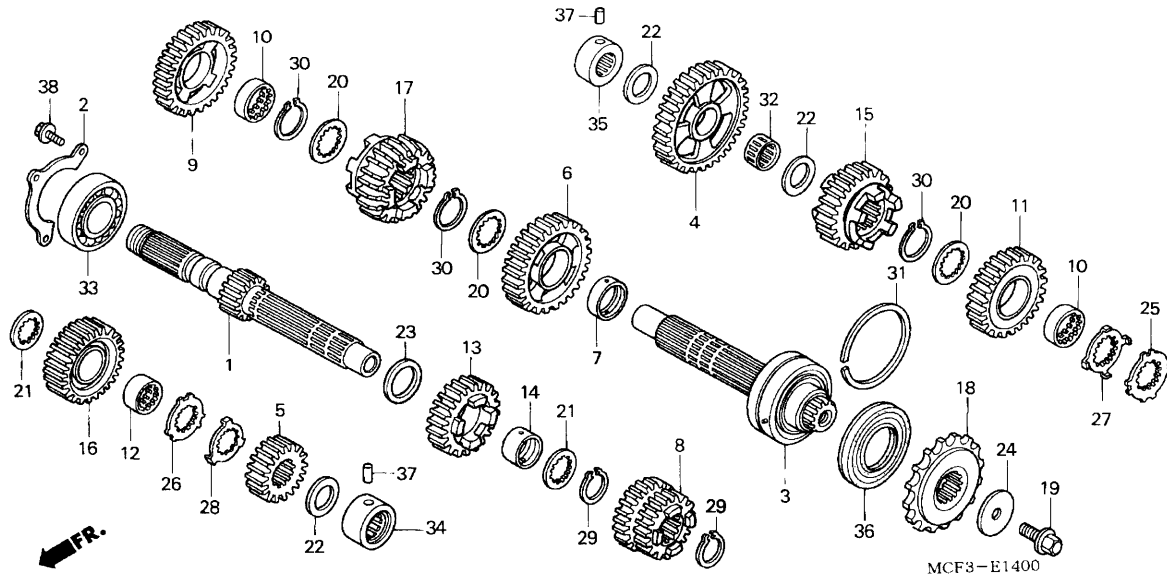
F 7



Service item	F.R.T.
SPROCKET, DRIVE .....	0.4
COUNTERSHAFT COMP. ....	*7.1
(INC. RELATIVE PART)	
. MAINSHAFT	
(INC. RELATIVE PART)	
(WHEN SERVICING COMP., UNIT,	
F.R.T. IS 7.3)	

Ref. No.	Part No.	Description	Reqd. QTY			Serial No.	Parts catalogue code
			VTR1000SP				
			Y	1	2		
1	23211-MCF-000	MAINSHAFT (13T) .....	1	1	1		
2	23212-MCF-000	PLATE, BEARING SETTING .....	1	1	1		
3	23220-MBB-000	COUNTERSHAFT COMP. ....	1	1	1		
4	23421-MCF-000	GEAR, COUNTERSHAFT FIRST (32T)	1	1	1		
5	23431-MBB-000	GEAR, MAINSHAFT SECOND (16T)	1	1	1		
6	23441-MCF-000	GEAR, COUNTERSHAFT SECOND (29T)	1	1	1		
7	23442-MS2-610	COLLAR, 30X11.2 .....	1	1	1		
8	23451-MCF-000	GEAR, MAINSHAFT THIRD & FOURTH (21T/25T)	1	1	1		
9	23461-MCF-000	GEAR, COUNTERSHAFT THIRD (30T)	1	1	1		
10	23462-MAT-000	COLLAR, SPLINE, 30X11 .....	2	2	2		
11	23481-MCF-000	GEAR, COUNTERSHAFT FOURTH (31T)	1	1	1		
12	23482-MR7-000	COLLAR, SPLINE, 28X13.5 .....	1	1	1		
13	23491-MCF-000	GEAR, MAINSHAFT FIFTH (25T) -	1	1	1		
14	23495-MM5-000	COLLAR, 28X13 .....	1	1	1		
15	23501-MCF-000	GEAR, COUNTERSHAFT FIFTH (27T)	1	1	1		
16	23511-MCF-000	GEAR, MAINSHAFT SIXTH (26T) -	1	1	1		
17	23521-MCF-000	GEAR, COUNTERSHAFT SIXTH (25T)	1	1	1		
18	23801-ML7-920	SPROCKET, DRIVE (16T) .....	1	1	1		
19	90037-422-003	BOLT, SPECIAL, 10MM .....	1	1	1		
20	90452-MAT-000	WASHER, SPLINE, 30X36X1.5 ...	3	3	3		
21	90452-MR7-000	WASHER, SPLINE, 28X34X1.5 ...	2	2	2		
22	90455-ML7-000	WASHER B, THRUST, 22MM(BLUE)	3	3	3		

2



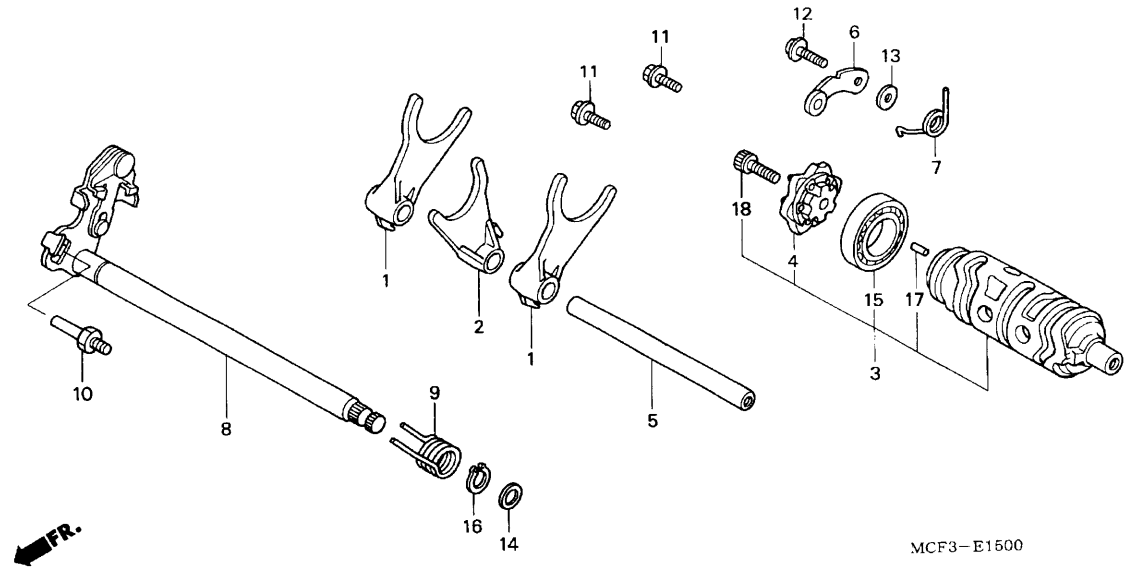
Ref. No.	Part No.	Description	Reqd. QTY			Serial No.	Parts catalogue code
			VTR1000SP	Y	1		
23	90458-729-920	WASHER, THRUST, 28MM .....	1	1	1		
24	90459-438-000	WASHER, 10.2MM .....	1	1	1		
25	90463-MAT-000	WASHER, SPLINE, 30MM .....	1	1	1		
26	90463-MR7-000	WASHER, SPLINE, 28MM .....	1	1	1		
27	90464-MAT-000	WASHER, LOCK, 30MM .....	1	1	1		
28	90464-MR7-000	WASHER, LOCK, 28MM .....	1	1	1		
29	90603-MN4-000	CIRCLIP, 28MM .....	2	2	2		
30	90604-MM5-000	CIRCLIP, 30MM .....	3	3	3		
31	90605-MM5-000	RING, SNAP, 72MM .....	1	1	1		
32	91001-MB6-680	BEARING, NEEDLE, 22X26X13 ...	1	1	1		
33	91004-MBT-003	BEARING, RADIAL BALL, 28X62X16	1	1	1		
34	91022-MCF-003	BEARING, NEEDLE, 22X38X16 ...	1	1	1		
35	91025-MCF-003	BEARING, NEEDLE, 22X38X19.3 .	1	1	1		
36	91207-MBB-003	OIL SEAL, 39X72X8 .....	1	1	1		
37	94302-08100	PIN B, DOWEL, 8X10 .....	2	2	2		
38	95701-06014-00	BOLT, FLANGE, 6X14 .....	3	3	3		



# E-15

# GEARSHIFT DRUM

**F 9**



Service item	F.R.T.
SPINDLE COMP., GEARSHIFT	1.3
SPRING, SHIFT RETURN	
CENTER COMP., SHIFT DRUM	1.4
STOPPER COMP., DRUM (INC. RELATIVE PART)	
BEARING, BALL, 16005	2.2
DRUM COMP., GEARSHIFT FORK, GEARSHIFT (SAME TIME FOR TWO UNITS OR MORE)	

Ref. No.	Part No.	Description	Reqd. QTY			Serial No.	Parts catalogue code
			VTR1000SP	Y	1		
1	24211-MCF-000	FORK, GEARSHIFT	2	2	2		
2	24212-MBB-000	FORK, CENTER GEARSHIFT	1	1	1		
3	24310-MCF-000	DRUM COMP., GEARSHIFT	1	1	1		
4	24315-MAS-E00	CENTER COMP., SHIFT DRUM	1	1	1		
5	24321-MAS-000	SHAFT, GEARSHIFT FORK	1	1	1		
6	24430-MBB-000	STOPPER COMP., DRUM	1	1	1		
7	24435-MCF-000	SPRING, GEARSHIFT DRUM STOPPER	1	1	1		
8	24610-MCF-000	SPINDLE COMP., GEARSHIFT	1	1	1		
9	24651-MAS-E00	SPRING, SHIFT RETURN	1	1	1		
10	24652-035-000	PIN, SHIFT RETURN SPRING	1	1	1		
11	90021-MM5-000	BOLT-WASHER, 6X12	2	2	2		
12	90022-MY5-600	PIVOT, SHIFT DRUM STOPPER ARM	1	1	1		
13	90417-360-000	WASHER, DRUM STOPPER	1	1	1		
14	90451-155-000	WASHER, 14MM	1	1	1		
15	91008-374-003	BEARING, BALL, 16005 (NTN)	1	1	1		
16	94510-14000	CIRCLIP, EXTERNAL, 14MM	1	1	1		
17	96220-40080	ROLLER, 4X8	1	1	1		
18	96600-08020-10	BOLT, SOCKET, 8X20	1	1	1		

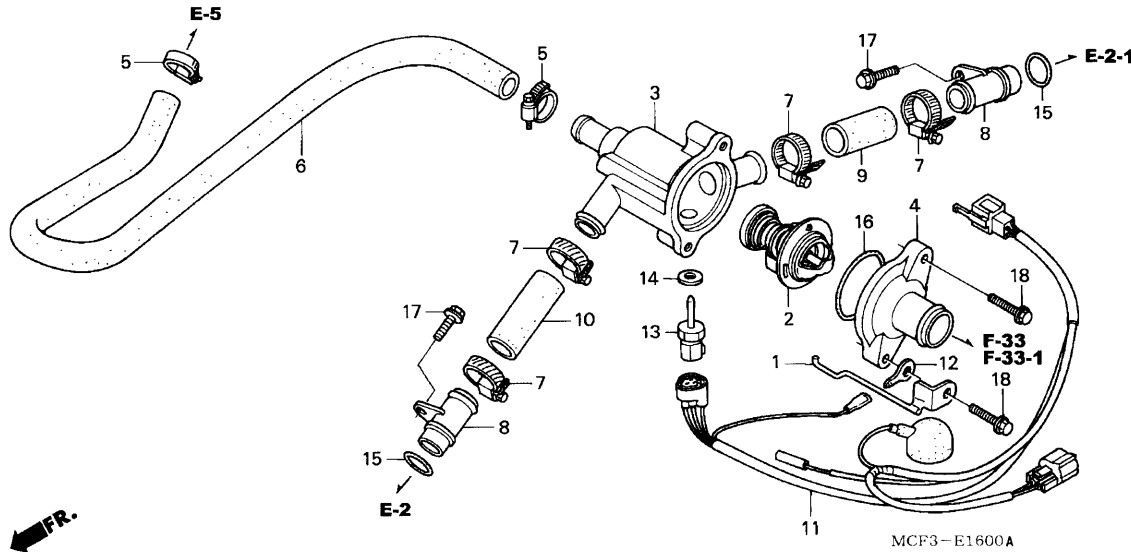
2



E-16

WATER PIPE

F10



Service item	F.R.T.
SENSOR ASSY., WATER TEMP .....	0.9
.SUB CORD, ENGINE	
THERMOSTAT .....	1.1
HOSE B, FR. WATER .....	1.2
(ADD 0.1 FOR EACH.)	
.HOSE B, RR. WATER	
PIPE A, WATER .....	1.3
(ADD 0.1 FOR EACH.)	
HOSE G, RADIATOR .....	1.4
CASE COMP., THERMOSTAT .....	1.5

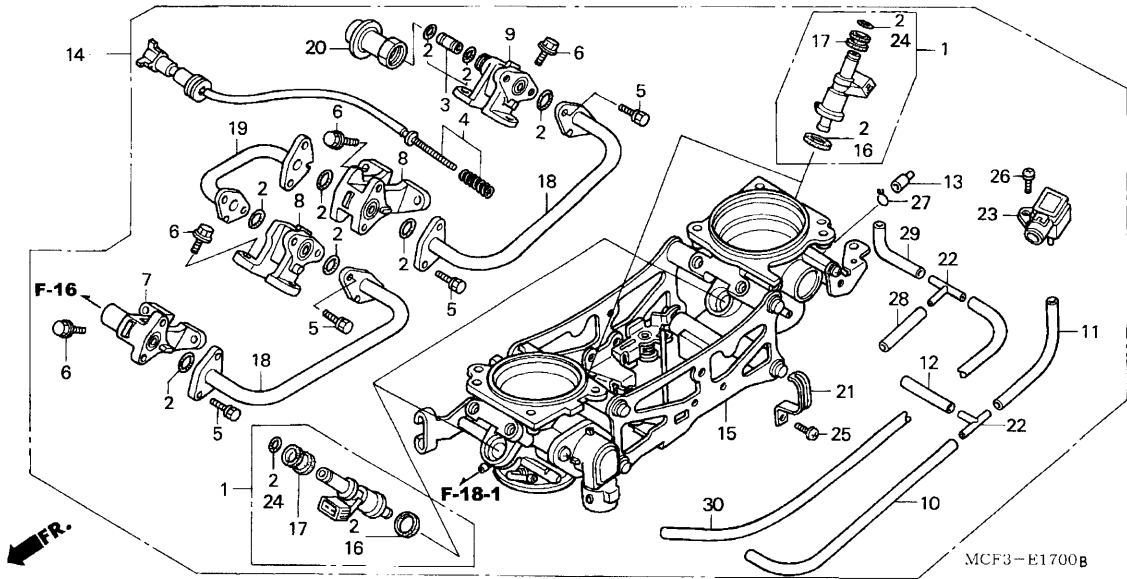
Ref. No.	Part No.	Description	Reqd. QTY			Serial No.	Parts catalogue code
			VTR1000SP	Y	1		
1	18654-MCF-000	STAY, AIR INJECTION CONTROL VALVE	1	1	1	----- CM,E,ED,F	
2	19300-MBT-003	THERMOSTAT .....	1	1	1		
3	19310-MCF-000	CASE COMP., THERMOSTAT .....	1	1	1		
4	19313-MAS-E00	COVER, THERMOSTAT .....	1	1	1		
5	19504-KY1-003	CLAMP, WATER HOSE, 25MM .....	2	2	2		
6	19509-MCF-000	HOSE G, RADIATOR .....	1	1	1		
7	19517-ML7-691	CLAMP, HOSE, 22-29MM .....	4	4	4		
8	19523-MCF-000	PIPE A, WATER .....	2	2	2		
9	19526-MCF-000	HOSE B, RR. WATER .....	1	1	1		
10	19528-MCF-000	HOSE B, FR. WATER .....	1	1	1		
11	32111-MCF-000	SUB CORD, ENGINE .....	1	-	-		
	32111-MCF-D00	.....	-	1	1		
12	32152-MB3-000	CONNECTOR, EARTH .....	1	1	1		
13	37870-MBG-003	SENSOR ASSY., WATER TEMP .....	1	1	1		
14	90454-MC7-000	WASHER, SPECIAL, 12MM .....	1	1	1		
15	91312-KE7-003	O-RING, 19X3(NOK) .....	2	2	2		
16	91351-MAE-003	O-RING, 43.5X2.0 .....	1	1	1		
17	96001-06014-00	BOLT, FLANGE, 6X14 .....	2	2	2		
18	96001-06025-00	BOLT, FLANGE, 6X25 .....	2	2	2		

2

E-17

THROTTLE BODY(1)(ASSY.)

F11



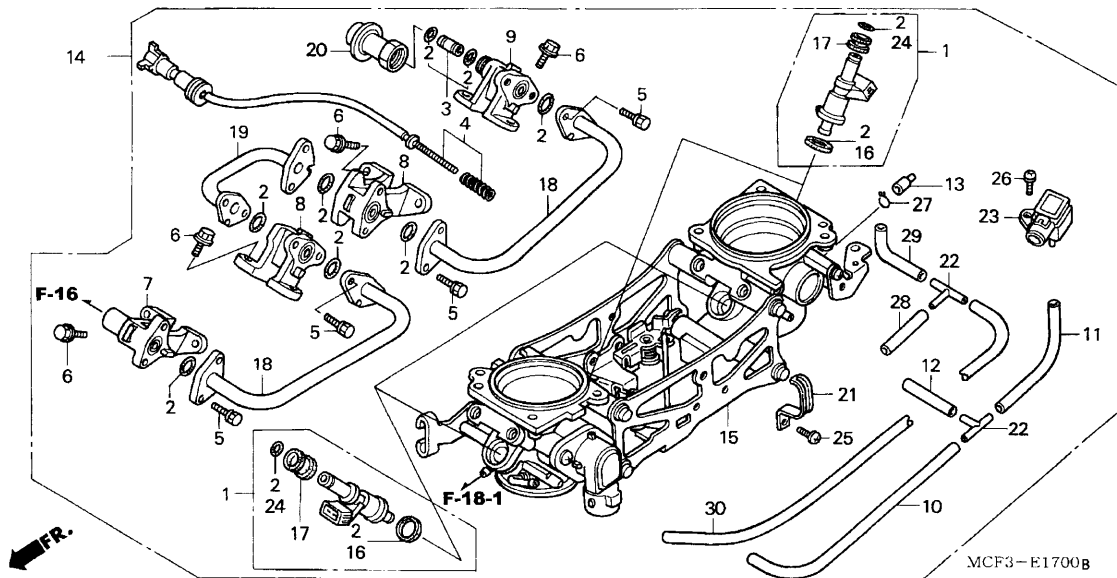
Service item	F.R.T.
REGULATOR ASSY., PRESSURE	0.7
.SENSOR, MAP	
PIPE COMP. A, FUEL	1.1
(ADD 0.1 FOR EACH.)	
.PIPE COMP. B, FUEL	
BODY ASSY., THROTTLE	1.2
PACKING SET, INJECTOR	1.3
(ADD 0.1 FOR EACH.)	
(WHEN SERVICING COMP. UNIT, F.R.T. IS 1.5)	
.THROTTLE BODY SET	

Ref. No.	Part No.	Description	Reqd. QTY		Serial No.	Parts catalogue code
			VTR1000SP			
			Y	1	2	
1	06164-MCF-003	PACKING SET, INJECTOR	4	-	-	E,ED,F,U
	06164-MCF-671		4	-	-	CM
2	16010-MCF-003	GASKET SET	1	1	-	
3	16024-MAT-E01	JOINT SET	1	1	-	
4	16029-MCF-003	SCREW SET, STOP	1	1	-	
5	16080-MCF-003	BOLT-WASHER, 5X14	12	12	-	
6	16081-MCF-003	BOLT-WASHER, 5X20	8	8	-	
7	16120-MCF-003	STAY COMP., FUEL	1	1	-	
8	16129-MCF-003	STAY A, FUEL PIPE	2	2	-	
9	16130-MCF-003	STAY C, FUEL PIPE	1	1	-	
10	16195-MCF-003	TUBE	1	1	-	
11	16196-MCF-003	TUBE	1	1	-	
12	16197-MCF-003	TUBE, 3.5X26	1	1	-	
13	16215-MV4-000	CAP, BOOST	1	1	-	
14	16400-MCF-003	BODY ASSY., THROTTLE (GQ51A A)	1	1	-	E,ED,F,U
	16400-MCF-671	BODY ASSY., THROTTLE (GQ51B A)	1	1	-	CM
15	16401-MCF-003	THROTTLE BODY ASSY.	1	1	-	E,ED,F,U
	16401-MCF-671		1	1	-	CM
16	16472-MCF-003	SEAL RING, INJECTOR	4	4	-	
17	16473-PD6-000	CUSHION RING, INJECTOR (OTSUKA)	4	4	-	
18	16610-MCF-003	PIPE COMP. A, FUEL	2	2	-	
19	16620-MCF-003	PIPE COMP. B, FUEL	1	1	-	
20	16740-MCF-003	REGULATOR ASSY., PRESSURE	1	1	-	

E-17

## THROTTLE BODY(1)(ASSY.)

F12

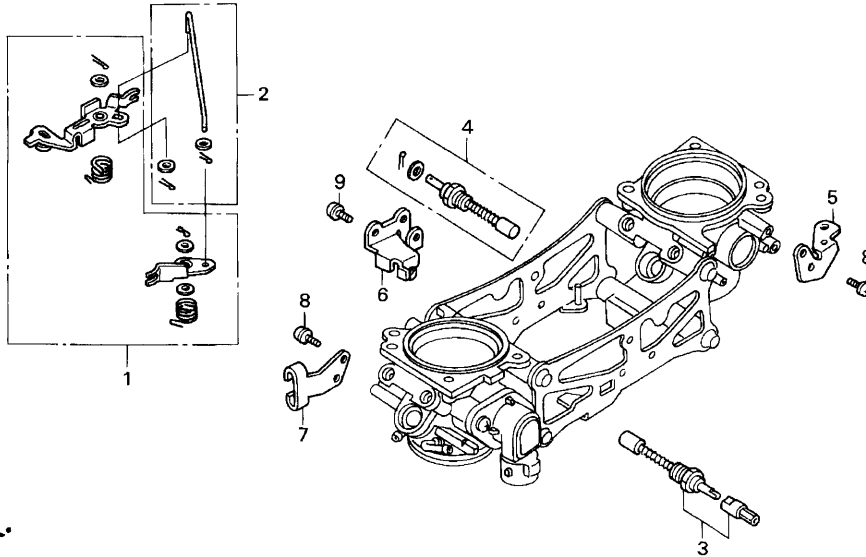


Ref. No.	Part No.	Description	Reqd. QTY		Serial No.	Parts catalogue code
			VTR1000SP			
			Y	1	2	
21	17179-MCF-003	CLIP, BIND .....	1	1	-	
22	17201-MG9-000	JOINT A, VACUUM TUBE .....	2	2	-	
23	37830-MCF-003	SENSOR, MAP .....	1	1	-	
24	91301-PM7-003	O-RING, 7.3X2.2(ARAI) .....	4	4	-	
25	93892-04008-00	SCREW-WASHER, 4X8 .....	1	1	-	
26	93892-04012-10	SCREW-WASHER, 4X12 .....	1	1	-	
27	95002-02070	CLIP, TUBE (B7) .....	1	1	-	
28	95005-35030-20	TUBE, 3.5X30(95005-35001-20M)	1	1	-	
29	95005-35095-20	TUBE, 3.5X95(95005-35001-20M)	1	1	-	
30	95005-35410-20	TUBE, 3.5X410(95005-35001-20M)	1	1	-	

E-17-1

THROTTLE BODY(1)(COMPONENT PARTS)

F13



MCF3 E1701

Service item	F.R.T.
LEVER SET, STARTER (INC. RELATIVE PART)	1.0
.VALVE COMP., STARTER	
.VALVE SET, STARTER	

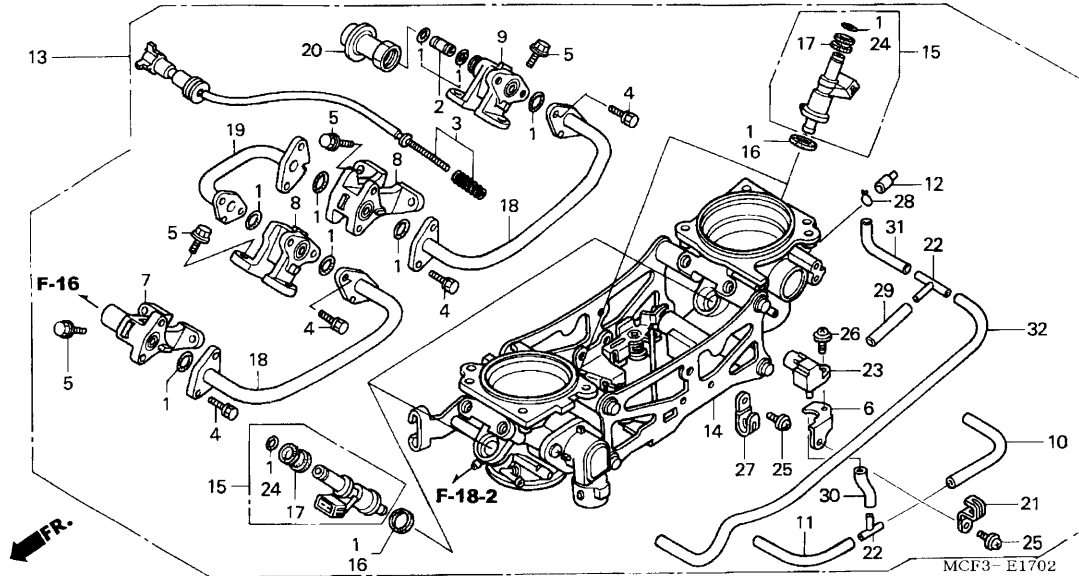
Ref. No.	Part No.	Description	Reqd. QTY		Serial No.	Parts catalogue code
			VTR1000SP			
			Y	1	2	
1	16018-MCF-003	LEVER SET, STARTER .....	1	1	-	
2	16019-MCF-003	ROD SET, STARTER .....	1	1	-	
3	16046-MCF-003	VALVE SET, STARTER .....	1	1	-	
4	16047-MCF-003	VALVE COMP., STARTER .....	1	1	-	
5	16118-MCF-003	STAY, MAP SENSOR .....	1	1	-	
6	16121-MCF-003	STAY, CHOKE WIRE .....	1	1	-	
7	16169-MCF-003	STAY, WIRE .....	1	1	-	
8	90016-MCF-003	SCREW-WASHER, PAN (CT) .....	4	4	-	
9	93892-04008-00	SCREW-WASHER, 4X8 .....	2	2	-	

2

# E-17-2

# THROTTLE BODY(2)(ASSY.)

F14



Service item	F.R.T.
REGULATOR ASSY., PRESSURE	0.7
.SENSOR, MAP	
PIPE COMP. A, FUEL	1.1
(ADD 0.1 FOR EACH.)	
.PIPE COMP. B, FUEL	
BODY ASSY., THROTTLE	1.2
INJECTOR ASSY., FUEL	1.3
(ADD 0.1 FOR EACH.)	
(WHEN SERVICING COMP. UNIT, F.R.T. IS 1.5)	

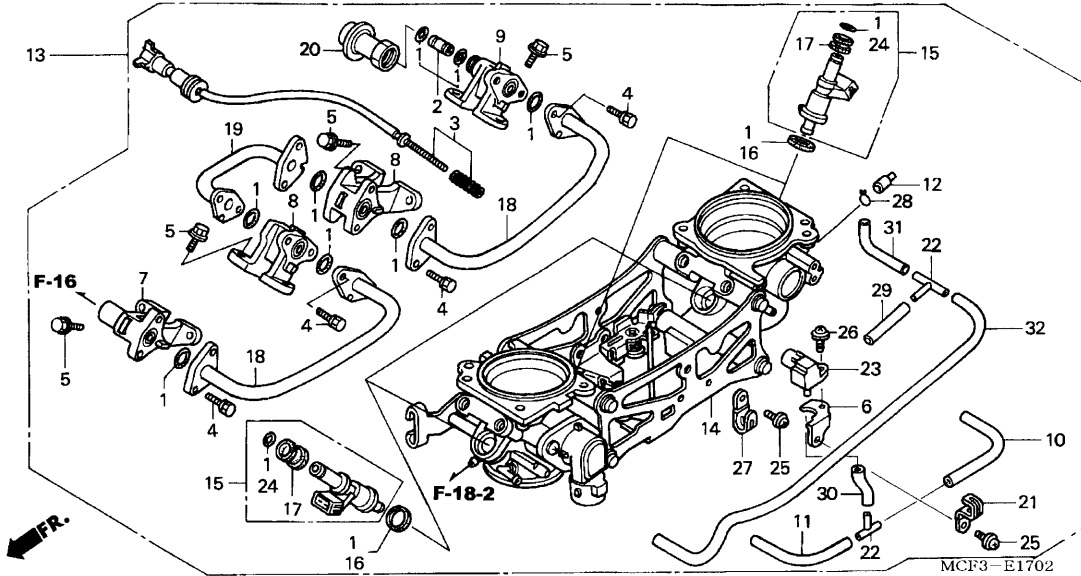
Ref. No.	Part No.	Description	Reqd. QTY		Serial No.	Parts catalogue code
			VTR1000SP			
			Y	1	2	
1	16010-MCF-D31	GASKET SET	-	-	1	
2	16024-MAT-E01	JOINT SET	-	-	1	
3	16029-MCF-003	SCREW SET, STOP	-	-	1	
4	16080-MCF-003	BOLT-WASHER, 5X14	-	-	12	
5	16081-MCF-D31	BOLT-WASHER, 5X20	-	-	8	
6	16118-MCF-D31	STAY, PB SENSOR	-	-	1	
7	16120-MCF-013	STAY COMP., FUEL	-	-	1	
8	16129-MCF-013	STAY A, FUEL PIPE	-	-	2	
9	16130-MCF-013	STAY C, FUEL PIPE	-	-	1	
10	16195-MCF-D31	TUBE	-	-	1	
11	16196-MCF-D31	TUBE	-	-	1	
12	16215-MV4-000	CAP, BOOST	-	-	1	
13	16400-MCF-D31	BODY ASSY., THROTTLE (GQ76A A)	-	-	1	----- E,ED,F,U
	16400-MCF-A21	BODY ASSY., THROTTLE (GQ76B A)	-	-	1	----- CM
14	16401-MCF-D31	THROTTLE BODY ASSY.	-	-	1	----- E,ED,F,U
	16401-MCF-A21		-	-	1	----- CM
15	16450-MCJ-752	INJECTOR ASSY., FUEL	-	-	4	
16	16472-MCW-000	SEAL RING, INJECTOR	-	-	4	
17	16473-P7A-004	CUSHION RING, INJECTOR	-	-	4	
18	16610-MCF-D31	PIPE COMP. A, FUEL	-	-	2	
19	16620-MCF-D31	PIPE COMP. B, FUEL	-	-	1	
20	16740-MCF-003	REGULATOR ASSY., PRESSURE	-	-	1	
21	17179-MCF-003	CLIP, BIND	-	-	1	
22	17201-MG9-000	JOINT A, VACUUM TUBE	-	-	2	
23	37830-MCF-003	SENSOR, MAP	-	-	1	



E-17-2

THROTTLE BODY(2)(ASSY.)

F15



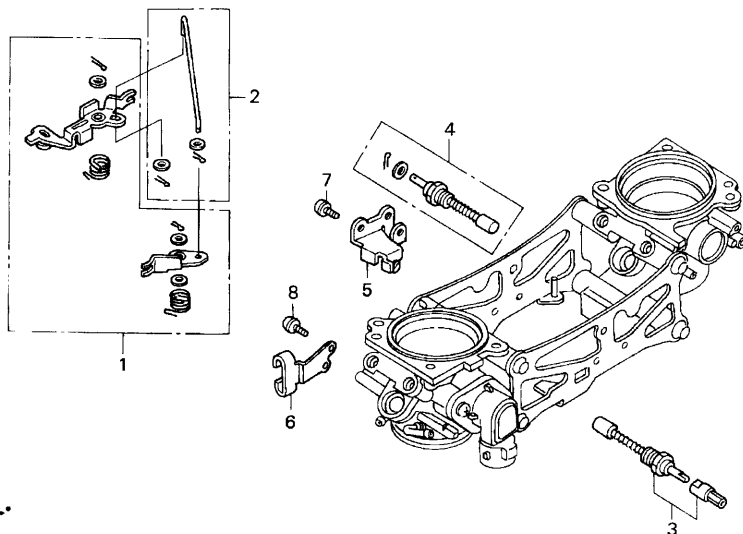
Ref. No.	Part No.	Description	Reqd. QTY		Serial No.	Parts catalogue code
			VTR1000SP			
24	91301-P7A-004	O-RING .....	-	-	4	
25	93892-04008-00	SCREW-WASHER, 4X8 .....	-	-	2	
26	93892-04012-10	SCREW-WASHER, 4X12 .....	-	-	1	
27	94591-25000	CLIP, 2X50 .....	-	-	1	
28	95002-02070	CLIP, TUBE (B7) .....	-	-	1	
29	95005-35030-20	TUBE, 3.5X30(95005-35001-20M)	-	-	1	
30	95005-35040-20	TUBE, 3.5X40(95005-35001-20M)	-	-	1	
31	95005-35095-20	TUBE, 3.5X95(95005-35001-20M)	-	-	1	
32	95005-35410-20	TUBE, 3.5X410(95005-35001-20M)	-	-	1	

2

E-17-3

THROTTLE BODY(2)(COMPONENT PARTS)

F16



MCF3-E1703

Service item	F.R.T.
LEVER SET, STARTER .....	1.0
(INC. RELATIVE PART)	
.VALVE COMP., STARTER	
.VALVE SET, STARTER	

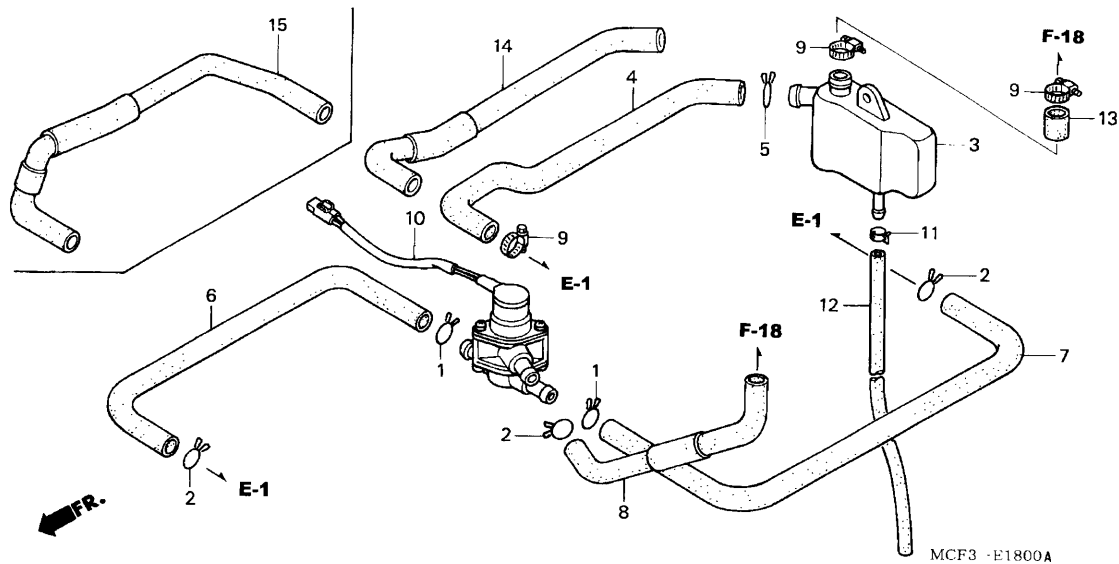
Ref. No.	Part No.	Description	Reqd. QTY		Serial No.	Parts catalogue code
			VTR1000SP			
1	16018-MCF-003	LEVER SET, STARTER .....	-	-	1	
2	16019-MCF-003	ROD SET, STARTER .....	-	-	1	
3	16046-MCF-003	VALVE SET, STARTER .....	-	-	1	
4	16047-MCF-003	VALVE COMP., STARTER .....	-	-	1	
5	16121-MCF-003	STAY, CHOKE WIRE .....	-	-	1	
6	16169-MCF-D31	STAY, WIRE .....	-	-	1	
7	93892-04008-00	SCREW-WASHER, 4X8 .....	-	-	2	
8	93892-05014-10	SCREW-WASHER, 5X14 .....	-	-	2	

2

E-18

AIR INJECTION CONTROL VALVE

G 1



Service item	F.R.T.
TANK, BREATHER .....	0.8
VALVE ASSY., EX. AIR INJECTION	1.0

Ref. No.	Part No.	Description	Reqd. QTY			Serial No.	Parts catalogue code
			Y	1	2		
1	16968-MC7-000	CLIP B, FUEL HOSE .....	2	2	2	-----	CM,E,ED,F
2	17369-KB4-670	CLIP, BREATHER TUBE .....	3	3	3	-----	CM,E,ED,F
3	17375-MCF-000	TANK, BREATHER .....	1	1	1	-----	CM,E,ED,F
4	17551-MCF-000	TUBE, BREATHER .....	1	1	-	-----	
5	18532-634-670	CLIP, AIR HOSE, 21.5 .....	1	1	1	-----	
6	18651-MCF-000	TUBE A, AIR INJECTION CONTROL VALVE	1	1	-	-----	CM,E,ED,F
7	18652-MCF-000	TUBE, AIR INJECTION CONTROL VALVE	1	1	1	-----	CM,E,ED,F
8	18653-MCF-000	TUBE C, AIR INJECTION CONTROL VALVE	1	1	1	-----	CM,E,ED,F
9	19504-KY1-003	CLAMP, WATER HOSE, 25MM .....	3	3	3	-----	CM,E,ED,F
10	36450-MCF-003	VALVE ASSY., EX. AIR INJECTION	1	1	-	-----	CM,E,ED,F
	36450-MCF-D30	.....	-	-	1	-----	CM,E,ED,F
11	43514-KS6-701	CLAMP, MASTER CYLINDER OIL HOSE	1	1	1	-----	
12	95003-23063-31	TUBE, VINYL, 8X12X630 (95003-23001-60M)	1	1	1	-----	
13	95005-17027-20	TUBE, 17X27 (95005-17001-20M)	1	1	1	-----	
14	17551-MCF-D30	TUBE, BREATHER .....	-	-	1	-----	
15	18651-MCF-D30	TUBE A, AIR INJECTION CONTROL VALVE	-	-	1	-----	CM,E,ED,F

2

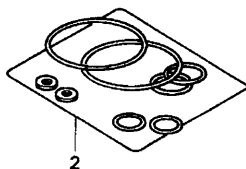
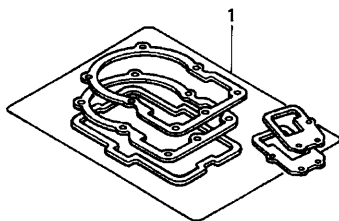


EOP-1

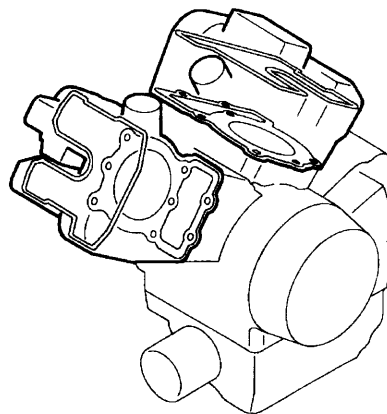
GASKET KIT A

G 2

Service item F.R.T.  
 NOT INFORMATION .....



FR.



ENGI X0004 B

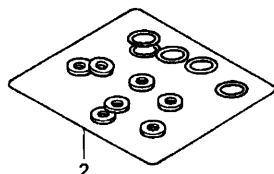
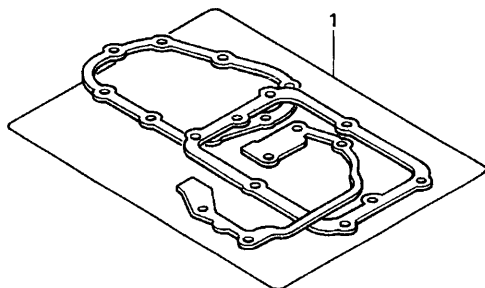
Ref. No.	Part No.	Description	Reqd. QTY		Serial No.	Parts catalogue code
			VTR1000SP	Y 1 2		
1	06113-MCF-010	GASKET SHEET KIT A .....	1	1	-	CM,E,ED,F
	06113-MCF-651	(COMPONENT PARTS) .....	1	1	-	U
	12251-MCF-003	GASKET, FR. CYLINDER HEAD ...	1	1	-	
	12252-MCF-003	GASKET, RR. CYLINDER HEAD ...	1	1	-	
	12391-MCF-000	GASKET, FR. CYLINDER HEAD				
	12395-MAT-750	GASKET B, CYLINDER HEAD COVER	1	1	-	
	12396-MCF-000	GASKET, RR. CYLINDER HEAD	2	2	-	CM,E,ED,F
	18292-MCF-003	GASKET, EX. PIPE .....	1	1	-	
	18393-MCF-003	PACKING, RR. EX. ....	2	2	-	
	90543-MV9-670	RUBBER, MOUNTING .....	4	4	-	
	90543-MV9-670	RUBBER, MOUNTING .....	6	6	-	
2	06114-MCF-000	WASHER O-RING KIT A .....	1	1	-	
	90441-ME9-000	(COMPONENT PARTS) .....	1	1	-	
	90441-ME9-000	WASHER, SEALING, 8MM .....	2	2	-	
	90463-ML7-000	WASHER, SEALING, 6.5MM .....	2	2	-	

2

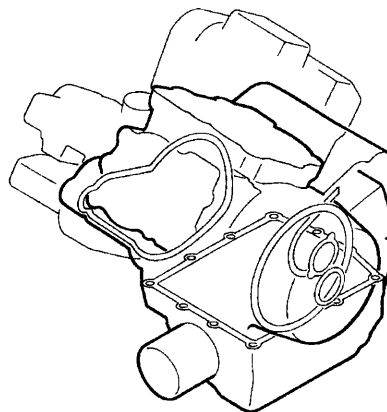
EOP-2

## GASKET KIT B

G 3



FR.



ENG2- X0004 B

Service item

F.R.T.

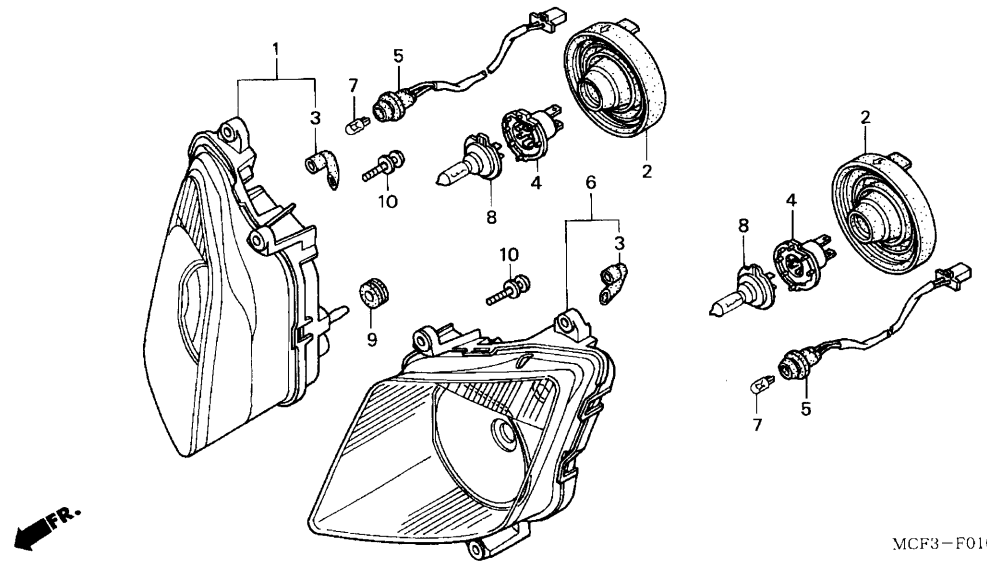
NOT INFORMATION .....

Ref. No.	Part No.	Description	Reqd. QTY		Serial No.	Parts catalogue code
			VTR1000SP			
			Y	1 2		
1	06115-MCF-000	GASKET SHEET KIT B .....	1	1	-	
		(COMPONENT PARTS)				
	11344-MCF-000	GASKET, L. CRANKCASE COVER ..	1	1	-	
	11356-MCF-000	GASKET, CLUTCH COVER .....	1	1	-	
	11636-MCF-000	GASKET, A.C. GENERATOR COVER	1	1	-	
	19226-MCF-000	GASKET, WATER PUMP COVER ....	1	1	-	
	22862-MW7-650	GASKET, SLAVE CYLINDER .....	1	1	-	
2	06116-MCF-000	WASHER O-RING KIT B .....				
		(COMPONENT PARTS)				
	15154-MM5-000	PACKING, OIL STRAINER .....	1	1	-	
	90442-028-000	WASHER, SEALING, 8MM .....	1	1	-	
	90443-MJ6-000	WASHER, NEUTRAL .....	1	1	-	
	90475-703-000	WASHER C, 8MM .....	1	1	-	
	91255-MJ1-000	O-RING, 11.1X3.5 .....	2	2	-	
	91301-MCF-000	O-RING, 19.9X3.1 .....	2	2	-	
	91302-MAL-601	O-RING, 18.1X3.6 .....	1	1	-	
	91303-377-000	O-RING, 13.8X2.5 .....	1	1	-	
	91307-KFO-003	O-RING, 18X3(ARAI) .....	1	1	-	
	91309-425-003	O-RING, 24.4X3.1(ARAI) .....	1	1	-	
	91310-PH3-003	O-RING, 18X2.4 .....	2	2	-	
	91312-KE7-003	O-RING, 19X3(NOK) .....	2	2	-	
	91313-MB0-003	O-RING, 14.7X2.2(ARAI) .....	1	1	-	
	91314-MCF-000	O-RING, 12X3 .....	2	2	-	
	91351-MAE-003	O-RING, 43.5X2.0 .....	1	1	-	
	91356-425-003	O-RING, 30MM .....	1	1	-	
	94109-12000	WASHER, DRAIN PLUG, 12MM ....	1	1	-	

F-1

# HEADLIGHT

H 1



MCF3-F0100

Service item	F.R.T.
BULB .....	0.1
(SAME TIME FOR TWO UNITS)	
.BULB, HEADLIGHT	
(SAME TIME FOR TWO UNITS)	
.SOCKET COMP., HEADLIGHT	
(SAME TIME FOR TWO UNITS)	
.SOCKET COMP., POSITION LIGHT	
(SAME TIME FOR TWO UNITS)	
HEADLIGHT UNIT, L. ....	0.4
(SAME TIME FOR TWO UNITS)	
.HEADLIGHT UNIT, R.	

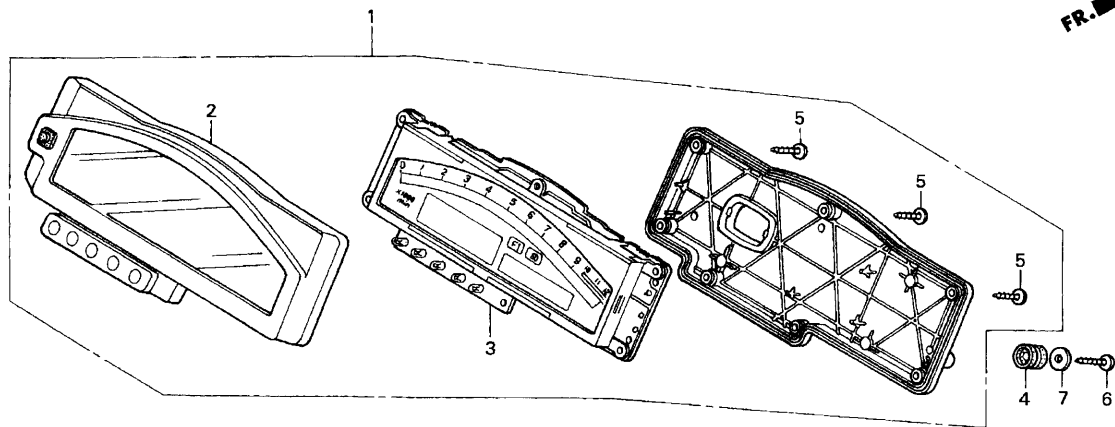
Ref. No.	Part No.	Description	Reqd. QTY			Serial No.	Parts catalogue code
			VTR1000SP	1	2		
1	33102-MCF-641	HEADLIGHT UNIT, R. ....	1	1	1	----- E,ED,F,U	
	33102-MCF-671	.....	1	1	1	----- CM	
2	33112-MAT-611	COVER, RUBBER .....	2	2	2		
3	33113-MAT-611	PIPE, CP .....	4	4	4		
4	33130-MAT-611	SOCKET COMP., HEADLIGHT .....	2	2	2		
5	33140-MCF-641	SOCKET COMP., POSITION LIGHT	2	2	2	----- E,ED,F,U	
6	33152-MCF-601	HEADLIGHT UNIT, L. ....	1	1	1	----- E,U	
	33152-MCF-641	.....	1	1	1	----- ED,F	
	33152-MCF-671	.....	1	1	1	----- CM	
7	33301-SAO-741	BULB (12V 5W)(ECE)(STANLEY) ..	2	2	2	----- E,ED,F,U	
8	34901-MAT-611	BULB, HEADLIGHT (H7)(12V/55W)	2	2	2		
9	61304-415-000	RUBBER, HEADLIGHT CASE					
		MOUNTING	2	2	2		
10	93891-05018-07	SCREW-WASHER, 5X18 .....	6	6	6		

3

F-2

METER

H 2



MCF3 - F0200

Service item	F.R.T.
METER ASSY., COMBINATION .....	0.6
CASE ASSY., UPPER .....	0.7
METER ASSY. ....	0.9

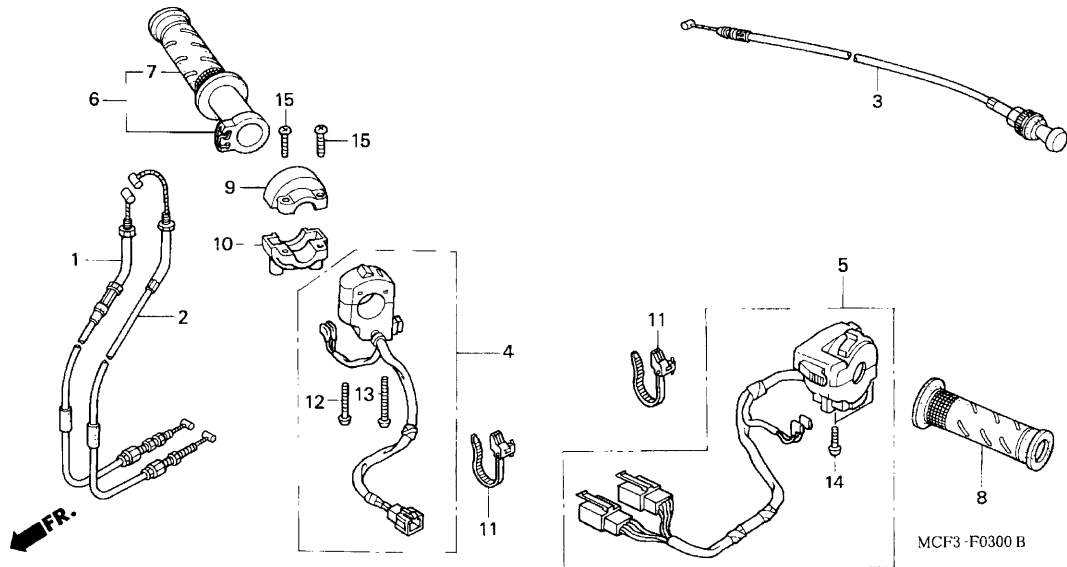
Ref. No.	Part No.	Description	Reqd. QTY			Serial No.	Parts catalogue code
			VTR1000SP	1	2		
1	37100-MCF-601	METER ASSY., COMBINATION .....	1	-	-	----- E	
	37100-MCF-641	.....	1	-	-	----- CM,ED,F,U	
	37100-MCF-D01	.....	-	1	1	----- CM,ED,F,U	
	37100-MCF-E01	.....	-	1	1	----- E	
2	37101-MCF-641	CASE ASSY., UPPER .....	1	1	1		
3	37130-MCF-601	METER ASSY. (L.C.D.) .....	1	-	-	----- E	
	37130-MCF-641	.....	1	-	-	----- CM,ED,F,U	
	37130-MCF-D01	.....	-	1	1	----- CM,ED,F,U	
	37130-MCF-E01	.....	-	1	1	----- E	
4	37215-MA6-008	RUBBER, METER CUSHION .....	3	3	3		
5	93903-22480	SCREW, TAPPING, 3X16 .....	7	7	7		
6	93913-25480	SCREW, TAPPING, 5X16(PO) .....	3	3	3		
7	94103-05700	WASHER, PLAIN, 5MM .....	3	3	3		

3

F-3

SWITCH/CABLE

H 3



Service item	F.R.T.
GRIP, L. HANDLE .....	0.1
.HOUSING, THROTTLE UPPER	
GRIP, R. HANDLE .....	0.2
GRIP ASSY., THROTTLE .....	0.3
.HOUSING, THROTTLE UNDER	
SWITCH SET, STARTER KILL .....	0.5
SWITCH SET, WINKER .....	0.6
CABLE COMP. A, THROTTLE .....	0.8
(SAME TIME FOR TWO UNITS)	
.CABLE COMP. B, THROTTLE	
CABLE COMP., CHOKE .....	1.0

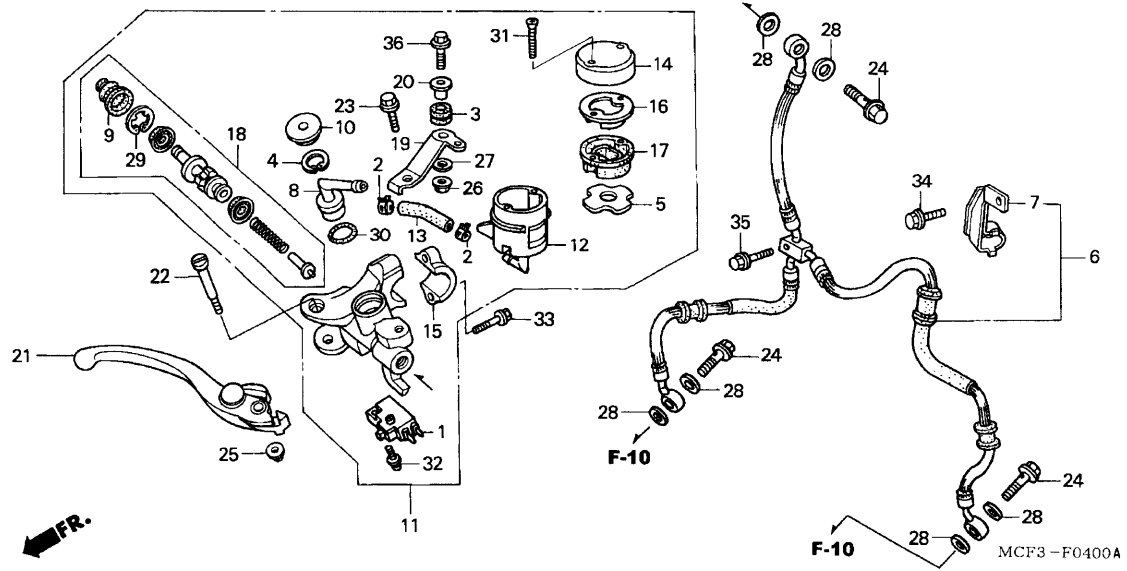
Ref. No.	Part No.	Description	Reqd. QTY			Serial No.	Parts catalogue code
			VTR1000SP	Y	1		
1	17910-MCF-000	CABLE COMP. A, THROTTLE .....	1	1	-		
	17910-MCF-D31	.....	-	-	1		
2	17920-MCF-000	CABLE COMP. B, THROTTLE .....	1	1	-		
	17920-MCF-D31	.....	-	-	1		
3	17950-MCF-000	CABLE COMP., CHOKE .....	1	1	1		
4	35013-MCF-640	SWITCH SET, STARTER KILL .....	1	1	1	-----	E,ED,F
	35013-MCF-670	.....	1	1	1	-----	CM,U
5	35020-MCF-640	SWITCH SET, WINKER .....	1	1	1	-----	E,ED,F
	35020-MCF-650	.....	1	1	1	-----	U
	35020-MCF-670	.....	1	1	1	-----	CM
6	53140-MCF-000	GRIP ASSY., THROTTLE .....	1	1	1		
7	53165-MY9-890	GRIP, R. HANDLE .....	1	1	1		
8	53166-MY9-890	GRIP, L. HANDLE .....	1	1	1		
9	53167-KY1-003	HOUSING, THROTTLE UPPER .....	1	1	1		
10	53168-KY1-003	HOUSING, THROTTLE UNDER .....	1	1	1		
11	90650-KV6-003	BAND, WIRE .....	2	2	2		
12	93500-04032-0G	SCREW, PAN, 4X32 .....	1	1	1		
13	93500-04045-0G	SCREW, PAN, 4X45 .....	1	1	1		
14	93500-05020-0G	SCREW, PAN, 5X20 .....	2	2	2		
15	93500-05022-0G	SCREW, PAN, 5X22 .....	2	2	2		

3

F-4

FR. BRAKE MASTER CYLINDER

H 4



Service item	F.R.T.
DIAPHRAGM .....	0.1
.LEVER ASSY., R. HANDLE	
.SWITCH ASSY., FR. STOP	
CUP COMP., OIL .....	0.2
CYLINDER SET, MASTER .....	0.4
.CYLINDER SUB ASSY., FR. BRAKE MASTER	
HOSE COMP., FR. BRAKE .....	0.5

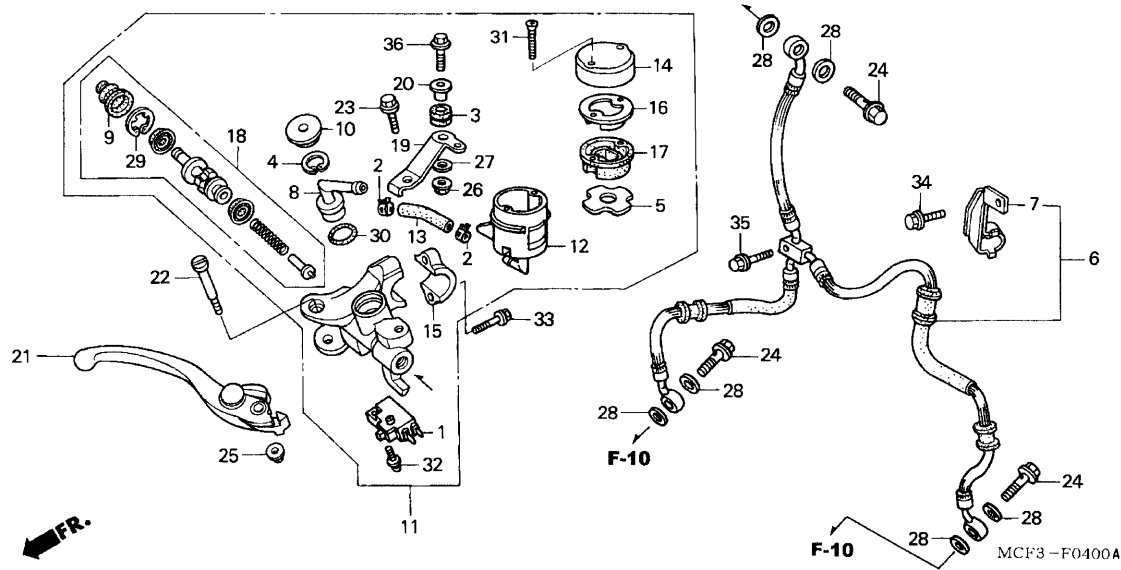
Ref. No.	Part No.	Description	Reqd. QTY			Serial No.	Parts catalogue code
			VTR1000SP	Y	1		
1	35340-MM5-600	SWITCH ASSY., FR. STOP .....	1	1	1		
2	43514-KS6-701	CLAMP, MASTER CYLINDER OIL					
3	43516-HA2-000	RUBBER, OIL CUP MOUNTING ....	1	1	1		
4	43517-KS6-701	CIRCLIP, RR. MASTER CYLINDER	1	1	1		
5	43523-MAH-671	FLOAT, RR. MASTER CYLINDER ..	1	1	1		
6	45125-MCF-003	HOSE COMP., FR. BRAKE .....	1	1	-		
	45125-MCF-D31	.....	-	-	1		
7	45156-MCF-000	CLAMPER, FR. BRAKE HOSE .....	1	1	1		
8	45503-KV3-006	CONNECTOR, MASTER CYLINDER ..	1	1	1		
9	45504-MCF-006	BOOT COMP. ....	1	1	1		
10	45505-KV3-006	COVER, DUST .....	1	1	1		
11	45510-MCF-006	CYLINDER SUB ASSY., FR. BRAKE MASTER (NISSIN)	1	1	-		
	45510-MCJ-751	CYLINDER SUB ASSY., FR. MASTER	-	-	1		
12	45511-KV3-016	CUP COMP., OIL .....	1	1	1		
13	45512-MAS-006	HOSE, MASTER CYLINDER OIL ...	1	1	1		
14	45513-KV3-006	CAP, OIL CUP .....	1	1	1		
15	45517-166-006	HOLDER, MASTER CYLINDER .....	1	1	1		
16	45518-KV3-006	PLATE, DIAPHRAGM .....	1	1	1		
17	45520-KV3-006	DIAPHRAGM .....	1	1	1		
18	45530-MCF-006	CYLINDER SET, MASTER .....	1	1	-		
	45530-MCJ-751	.....	-	-	1		
19	45550-MCF-006	STAY, FR. MASTER CYLINDER ...	1	1	1		
20	50324-425-010	COLLAR, 6.3X13 .....	1	1	1		

3

F-4

FR. BRAKE MASTER CYLINDER

H 5



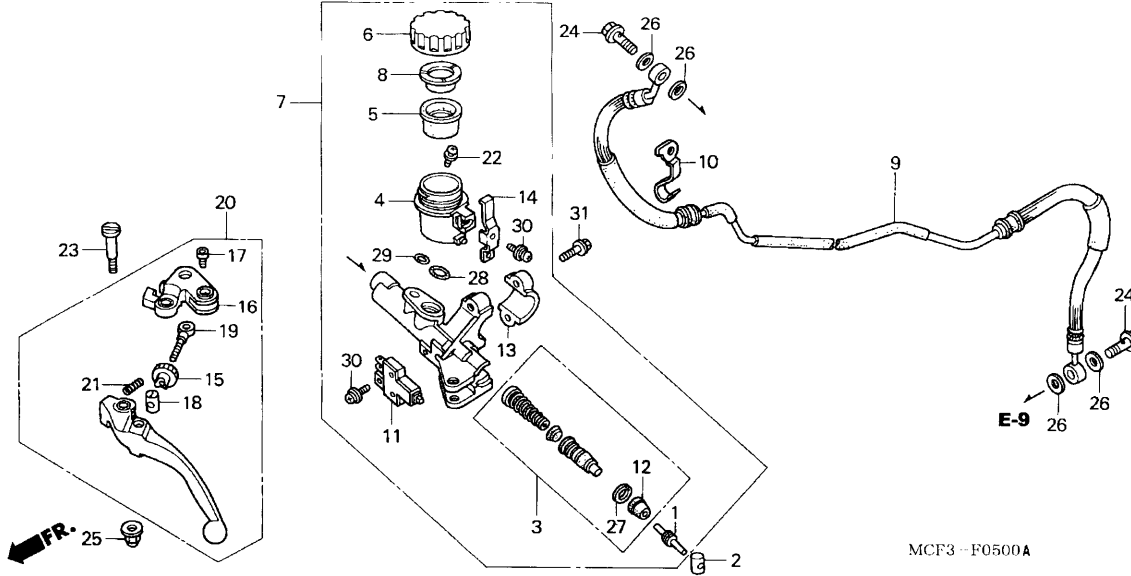
Ref. No.	Part No.	Description	Reqd. QTY			Serial No.	Parts catalogue code
			VTR1000SP	1	2		
21	53170-MCF-006	LEVER ASSY., R. HANDLE	1	1	-		
	53170-MCJ-751	.....	-	-	1		
22	90114-MCF-006	BOLT, HANDLE LEVER	1	1	1		
23	90117-MR7-000	BOLT, FLANGE, 6X12	1	1	1		
24	90145-MS9-612	BOLT, OIL, 10X22	3	3	3		
25	90201-415-000	NUT, CAP, 6MM	1	1	1		
26	90301-MG3-000	NUT, U, 6MM	1	1	1		
27	90473-147-000	WASHER, 6X16	1	1	1		
28	90545-300-000	WASHER, OIL BOLT	6	6	6		
29	90651-MCF-006	CIRCLIP	1	1	1		
30	91212-422-006	O-RING, 14.8X2.4	1	1	1		
31	93600-04050-1G	SCREW, FLAT, 4X50	2	2	2		
32	93893-04012-17	SCREW-WASHER, 4X12	1	1	1		
33	96001-06022-07	BOLT, FLANGE, 6X22	2	2	2		
34	96300-06012-07	BOLT, FLANGE, 6X12	1	1	1		
35	96300-06025-07	BOLT, FLANGE, 6X25	1	1	1		
36	96300-06028-07	BOLT, FLANGE, 6X28	1	1	1		

3

F-5

CLUTCH MASTER CYLINDER

H 6



Service item	F.R.T.
DIAPHRAGM .....	0.1
.KNOCKER, CLUTCH	
.LEVER ASSY., L. HANDLE	
.SWITCH ASSY., CLUTCH	
CUP COMP., OIL .....	0.3
CYLINDER SUB ASSY., CLUTCH	
.PISTON SET, MASTER CYLINDER	0.4
PIPE COMP., CLUTCH .....	0.7

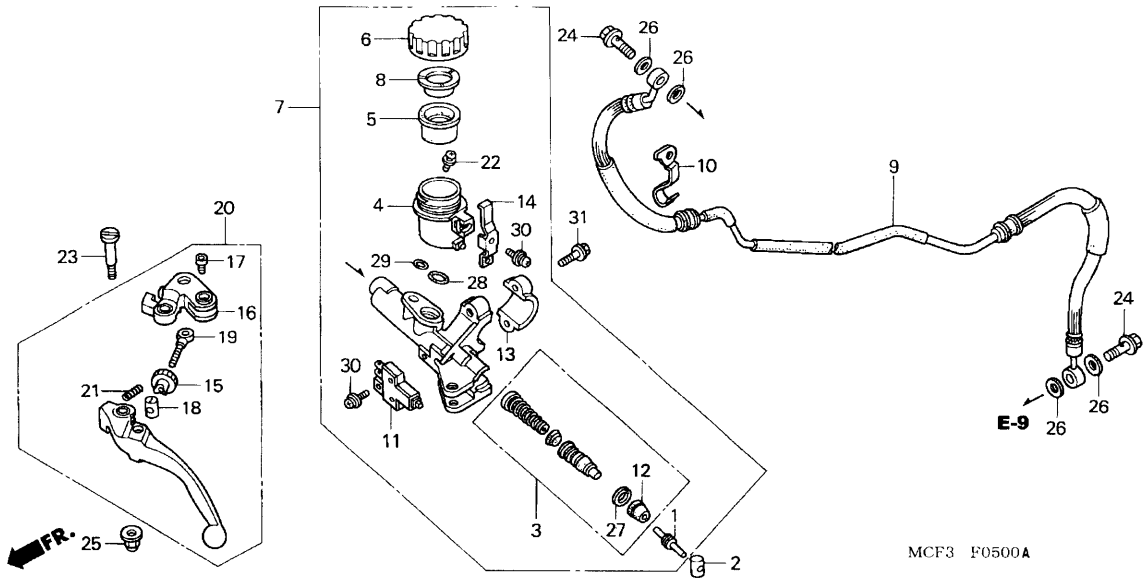
Ref. No.	Part No.	Description	Reqd. QTY		Serial No.	Parts catalogue code
			VTR1000SP			
			Y	1 2		
1	22884-MAT-E01	ROD, PUSH .....	1	1 1		
2	22885-MB0-006	BUSH .....	1	1 1		
3	22886-MAT-E01	PISTON SET, MASTER CYLINDER	1	1 1		
4	22887-MBB-006	CUP COMP., OIL .....	1	1 1		
5	22888-MR7-006	DIAPHRAGM .....	1	1 1		
6	22889-MR7-006	CAP, CLUTCH OIL CUP .....	1	1 1		
7	22890-MCF-006	CYLINDER SUB ASSY., CLUTCH MASTER	1	1 1		
8	22890-MR7-006	PLATE, DIAPHRAGM .....	1	1 1		
9	22900-MCF-000	PIPE COMP., CLUTCH	1	1 1		
10	22910-MCF-000	CLAMP, CLUTCH PIPE .....	1	1 1		
11	35330-MB0-003	SWITCH ASSY., CLUTCH .....	1	1 1		
12	45504-MAT-E01	BOOT COMP. ....	1	1 1		
13	45517-166-006	HOLDER, MASTER CYLINDER	1	1 1		
14	45535-MR8-901	PLATE, STOP .....	1	1 1		
15	53172-KV0-006	ADJUSTER, R. HANDLE LEVER	1	1 1		
16	53172-MJ4-702	KNOCKER, CLUTCH .....	1	1 1		
17	53177-KV0-006	BOLT, LEVER SOCKET, 5X5	1	1 1		
18	53179-KV0-006	JOINT, LEVER .....	1	1 1		
19	53180-KV0-006	BOLT, ADJUSTING .....	1	1 1		
20	53180-MCF-006	LEVER ASSY., L. HANDLE	1	1 1		
21	53181-KV0-006	SPRING, HANDLE LEVER .....	1	1 1		
22	90101-MR7-006	SCREW, TRIPLE, 4X11 .....	1	1 1		
23	90114-MA5-671	BOLT, HANDLE LEVER PIVOT	1	1 1		
24	90145-MS9-612	BOLT, OIL, 10X22 .....	2	2 2		



F-5

CLUTCH MASTER CYLINDER

H 7



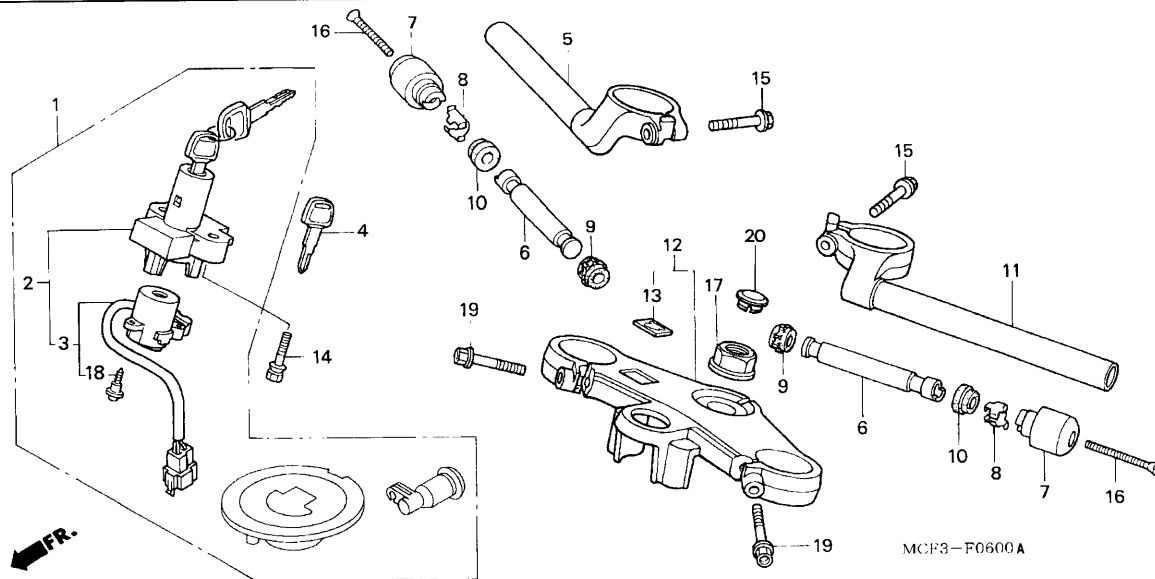
Ref. No.	Part No.	Description	Reqd. QTY			Serial No.	Parts catalogue code
			VTR1000SP	Y	1		
25	90201-415-000	NUT, CAP, 6MM .....	1	1	1		
26	90545-300-000	WASHER, OIL BOLT .....	4	4	4		
27	90651-MA5-671	CIRCLIP .....	1	1	1		
28	91212-422-006	O-RING, 14.8X2.4 .....	1	1	1		
29	91355-MG9-006	O-RING .....	1	1	1		
30	93893-04012-17	SCREW-WASHER, 4X12 .....	2	2	2		
31	96001-06022-07	BOLT, FLANGE, 6X22 .....	2	2	2		

3

F-6

HANDLE PIPE/TOP BRIDGE

H 8



Service item	F.R.T.
WEIGHT B, STEERING HANDLE .....	0.2
PIPE COMP., R. STEERING HANDLE .....	0.3
BRIDGE COMP., FORK TOP .....	0.4
PIPE COMP., L. STEERING HANDLE .....	0.5
BASE COMP., CONTACT .....	0.5
SWITCH ASSY., COMBINATION & LOCK	0.6
KEY SET .....	0.8

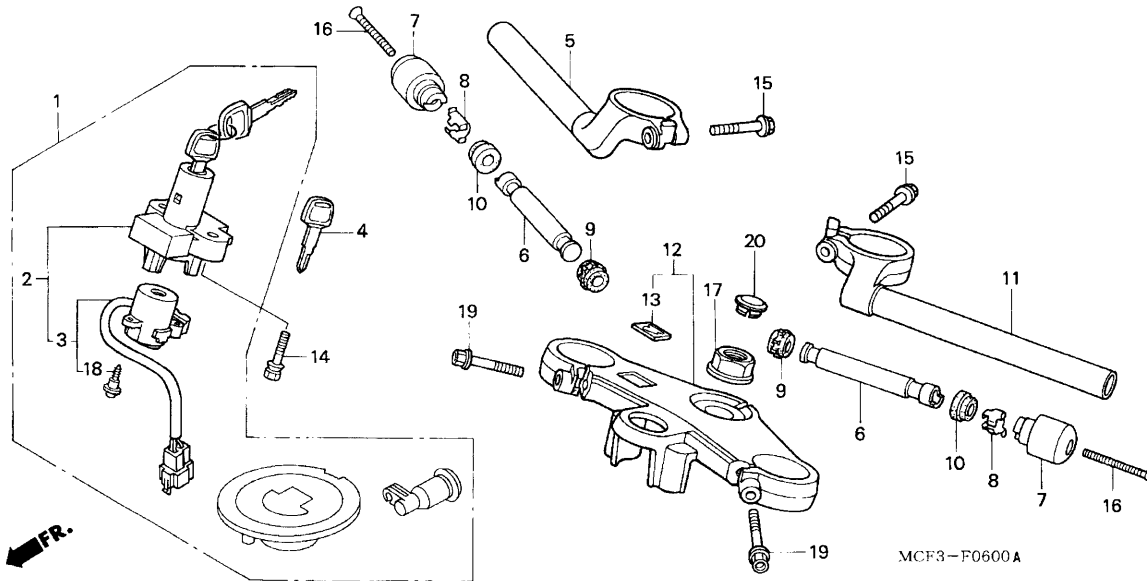
3

Ref. No.	Part No.	Description	Reqd. QTY			Serial No.	Parts catalogue code
			VTR1000SP	Y	1		
1	35010-MCF-600	KEY SET .....	1	-	-	YM000449 F	
	35010-MCF-670	.....	1	-	-	YM005757 E,ED	
	35010-MCF-601	.....	1	-	-	CM	
		.....	1	-	-	U	
	35010-MCF-602	.....	1	-	-	YM000450 F	
	35010-MCF-672	.....	1	-	-	YM005758 E,ED	
	35010-MCF-A20	.....	-	1	-	E,ED,F,U	
	35010-MCF-D30	.....	-	1	-	CM	
2	35100-MCF-601	SWITCH ASSY., COMBINATION & LOCK	1	-	-	YM000449 F	
		.....	1	-	-	YM005757 E,ED	
	35100-MCF-671	.....	1	-	-	CM	
	35100-MCF-602	.....	1	1	1	U	
		.....	1	-	-	YM000450 F	
		.....	1	-	-	YM005758 E,ED	
		.....	-	1	1	E,ED,F	
	35100-MCF-672	.....	-	1	1	CM	
3	35101-MCF-601	BASE COMP., CONTACT .....	1	1	1	E,ED,F,U	
	35101-MCF-671	.....	1	1	1	CM	
4	35121-MN9-611	KEY, BLANK .....	(1)	(1)	(1)	E,ED,F,U	
	35121-KW3-771	KEY, BLANK (TYPE 1) (KEY NO. AXX / BXX)	(1)	(1)	(1)	CM	
	35122-KW3-771	KEY, BLANK (TYPE 2) (KEY NO. CXX / DXX)	(1)	(1)	(1)	CM	
5	53100-MCF-000	PIPE COMP., R. STEERING HANDLE	1	1	1		
6	53105-KV3-000	WEIGHT B, STEERING HANDLE ...	2	2	2		

F-6

HANDLE PIPE/TOP BRIDGE

H 9



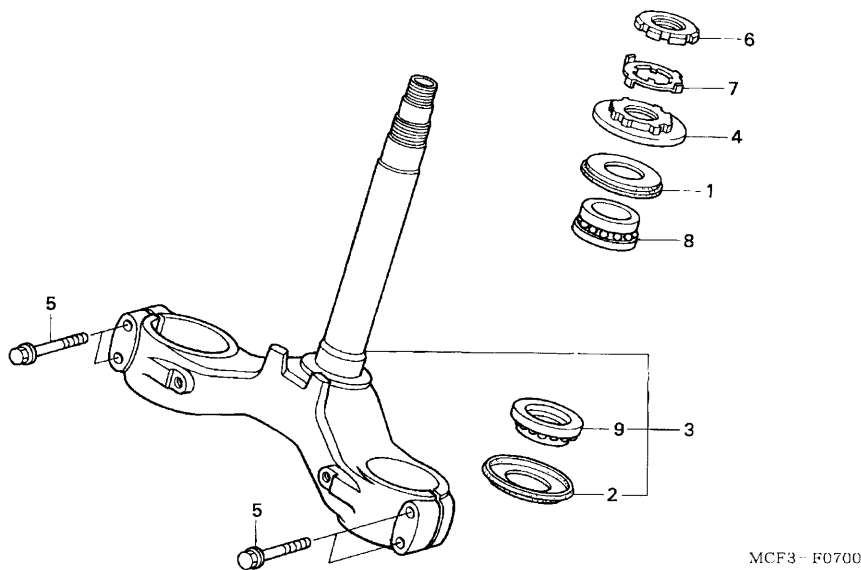
Ref. No.	Part No.	Description	Reqd. QTY			Serial No.	Parts catalogue code
			Y	1	2		
7	53105-MBB-010	WEIGHT, STEERING HANDLE .....	2	2	2		
8	53108-MJO-000	RING, HANDLE WEIGHT SNAP .....	2	2	2		
9	53109-MM5-000	RUBBER B, HANDLE WEIGHT .....	2	2	-		
	53107-KM9-000	RUBBER, HANDLE WEIGHT (B) ...	-	-	2		
10	53109-MV4-000	RUBBER B, HANDLE WEIGHT .....	2	2	-		
	53107-MJO-000	.....	-	-	2		
11	53150-MCF-000	PIPE COMP., L. STEERING HANDLE	1	1	1		
12	53300-MCF-000	BRIDGE COMP., FORK TOP .....	1	1	-	-----	E,ED,F,U
	53300-MCF-670	.....	1	1	-	-----	CM
	53300-MCF-A20	.....	-	-	1	-----	CM
	53300-MCF-D30	.....	-	-	1	-----	E,ED,F,U
13	86150-MCF-300	EMBLEM, WING MARK .....	1	1	1		
14	90107-MBG-000	BOLT, ONE-WAY, 8MM .....	2	2	2		
15	90109-MR7-000	BOLT, FLANGE, 8X45 .....	2	2	2		
16	90191-KT7-750	SCREW, OVAL, 6X60 .....	2	2	2		
17	90304-MCF-000	NUT, STEERING STEM FLANGE ...	1	1	-		
	90304-MR7-000	NUT, STEERING STEM .....	-	-	1		
18	91059-KY2-711	SCREW, TAPPING, 3X16 .....	3	3	3		
19	96300-08035-07	BOLT, FLANGE, 8X35 .....	2	2	2		
20	53232-MCF-D30	CAP, STEERING STEM NUT .....	-	-	1		

3

F-7

STEERING STEM

H10



Service item	F.R.T.
THREAD COMP., STEERING HEAD	
BEARING, HEAD PIPE UPPER	TOP 0.4
(ADD 0.2 FOR EACH.)	1.3
STEM SUB ASSY., STEERING	
BEARING, HEAD PIPE	1.5
(SAME TIME FOR TWO UNITS)	

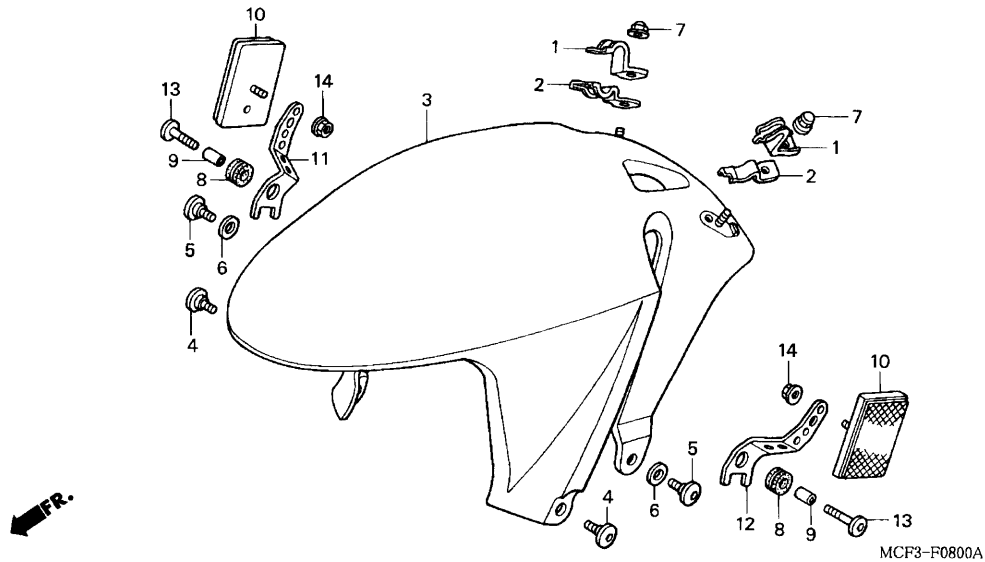
Ref. No.	Part No.	Description	Reqd. QTY		Serial No.	Parts catalogue code
			VTR1000SP			
			Y	1 2		
1	53214-KA4-701	DUST SEAL, STEERING HEAD				
		(ARAI)	1	1	-	
	53214-MR7-003	.....	-	-	1	
2	53214-MR7-003	DUST SEAL, STEERING HEAD				
		(ARAI)	1	1	1	
3	53219-MCF-000	STEM SUB ASSY., STEERING	1	-	-	
	53219-MCF-D00	.....	-	1	-	
	53219-MCF-D30	.....	-	-	1	
4	53220-MR7-000	THREAD COMP., STEERING HEAD				
		TOP	-	-	1	
	53220-MW0-000	.....	1	1	-	
5	90109-MR7-000	BOLT, FLANGE, 8X45	4	4	4	
6	90302-425-830	THREAD B, STEERING HEAD TOP	1	1	-	
	90302-MR7-000	.....	-	-	1	
7	90506-425-830	WASHER, LOCK	1	1	-	
	90506-MR7-000	WASHER, STEERING STEM	-	-	1	
8	91015-KT8-005	BEARING, HEAD PIPE UPPER				
		(KOYO)	1	1	-	
	91016-MR7-003	BEARING, HEAD PIPE	-	-	1	
9	91016-MR7-003	BEARING, HEAD PIPE	1	1	1	

3

F-8

FRONT FENDER

H11



Service item	F.R.T.
FENDER COMP., FR. ....	0.1

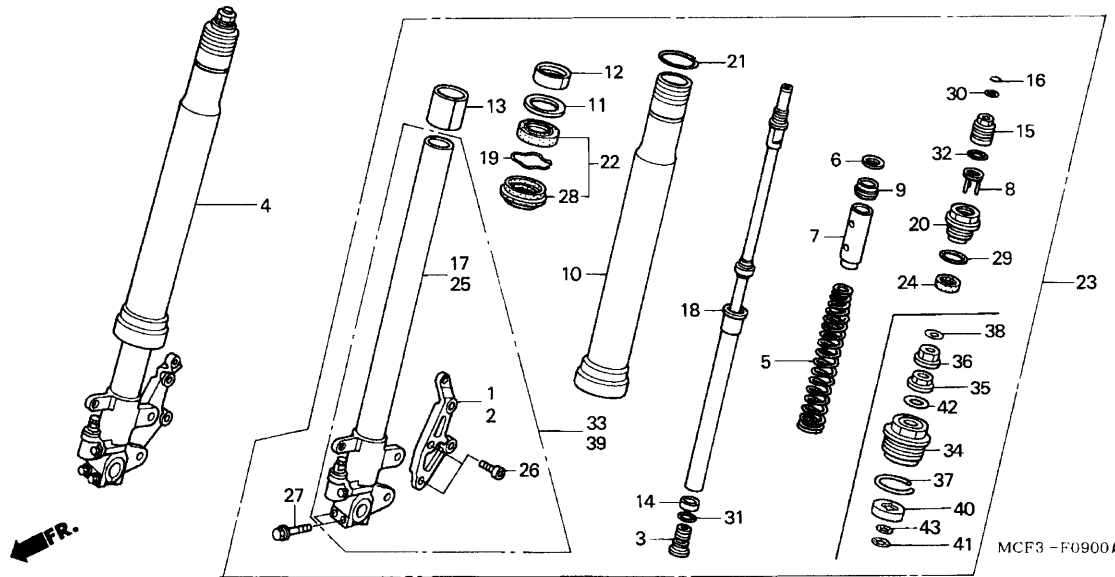
Ref. No.	Part No.	Description	Reqd. QTY			Serial No.	Parts catalogue code
			VTR1000SP	Y	1		
1	45461-KW3-000	CLAMPER A, FR. BRAKE HOSE ...	2	2	2		
2	45462-MW4-000	CLAMPER B, BRAKE HOSE .....	2	2	2		
3	61100-MCF-000ZB	FENDER COMP., FR.					
		*R258*.....WINNING RED	1	1	-		
	61100-MCF-000ZE	*NH146M*					
		ACCURATE SILVER METALLIC	-	1	-	-----	E,ED,F,U
	61100-MCF-010ZB	*R258*.....WINNING RED	-	-	1	-----	CM
	61100-MCF-010ZD	*NH196*.....ROSS WHITE	-	-	1	-----	E,ED,F,U
4	90106-KY2-701	SCREW, PAN, 6X11 .....	2	2	-		
	90114-MCJ-000	SCREW, SPECIAL, 6X14 .....	-	-	2		
5	90114-MCJ-000	SCREW, SPECIAL, 6X14 .....	2	2	2	-----	E,ED,F,U
6	90501-MCJ-000	RUBBER, WASHER .....	2	2	2	-----	E,ED,F,U
7	94021-06070-0S	NUT, CAP, 6MM .....	2	2	2		
8	11344-MB0-000	GROMMET A, RR. COVER .....	2	2	2	-----	CM
9	19103-KE8-000	COLLAR, BATTERY TRAY .....	2	2	2	-----	CM
10	33741-MB2-671	REFLECTOR, FR. REFLEX .....	2	2	2	-----	CM
11	61101-MCF-670	STAY, R. FR. REFLECTOR .....	1	1	1	-----	CM
12	61102-MCF-670	STAY, L. FR. REFLECTOR .....	1	1	1	-----	CM
13	90085-MZ1-000	BOLT, SPECIAL, 6X17 .....	2	2	2	-----	CM
14	94050-05000	NUT, FLANGE, 5MM .....	2	2	2	-----	CM

3

F-9

FRONT FORK

H12



Service item	F.R.T.
BRACKET, L. FR. BRAKE CALIPER	0.2
.BRACKET, R. FR. BRAKE CALIPER	
FORK ASSY., L. FR. ....	0.6
(ADD 0.2 FOR EACH.)	
.FORK ASSY., R. FR.	
SPRING, FR. FORK .....	0.8
(ADD 0.4 FOR EACH.)	
DAMPER COMP., FR. ....	1.2
(ADD 0.8 FOR EACH.)	
.SEAL SET, FR. FORK	
(ADD 0.8 FOR EACH.)	
PIPE, L. SLIDE .....	1.3
.PIPE, R. SLIDE	
.TUBE, OUTER	
(ADD 0.9 FOR EACH.)	

Ref. No.	Part No.	Description	Reqd. QTY			Serial No.	Parts catalogue code
			VTR1000SP	1	2		
1	45110-MCF-000	BRACKET, L. FR. BRAKE CALIPER	1	1	-		
2	45210-MCF-000	BRACKET, R. FR. BRAKE CALIPER	1	1	-		
3	51126-MCF-003	BOLT, SOCKET .....	2	2	2		
4	51400-MCF-003	FORK ASSY., R. FR. ....	1	-	-		
	51400-MCF-A01	.....	-	1	-	-----	CM
	51400-MCF-D01	.....	-	1	-	-----	E,ED,F,U
	51400-MCF-A20	.....	-	-	1	-----	CM
	51400-MCF-D31	.....	-	-	1	-----	E,ED,F,U
5	51401-MCF-003	SPRING, FR. FORK .....	2	2	-		
	51401-MCF-D31	.....	-	-	2		
6	51403-MA0-771	SEAT, SPRING .....	2	2	-		
7	51403-MCF-003	COLLAR, SPRING .....	2	2	2		
8	51404-MT7-003	PLATE COMP., SPRING ADJUSTER	2	2	-		
9	51406-MW4-003	STOPPER, SPRING SEAT .....	2	2	-		
10	51410-MCF-003	TUBE, OUTER .....	2	-	-		
		.....	-	2	-	-----	CM
	51410-MCF-D01	.....	-	2	-	-----	E,ED,F,U
	51410-MCF-A21	.....	-	-	2	-----	CM
	51410-MCF-D31	.....	-	-	2	-----	E,ED,F,U
11	51412-KA4-711	RING, BACK UP .....	2	2	2		
12	51414-MCF-003	BUSH, GUIDE .....	2	2	2		
13	51415-MCF-003	BUSH, SLIDER .....	2	2	2		
14	51421-MCF-003	PLATE, CENTERING .....	2	2	2		
15	51422-MT7-003	ADJUSTER, SPRING .....	2	2	-		
16	51423-MT7-003	RING B, STOPPER .....	2	2	-		
	51423-MCJ-751	.....	-	-	2		

F-9

## FRONT FORK

H13

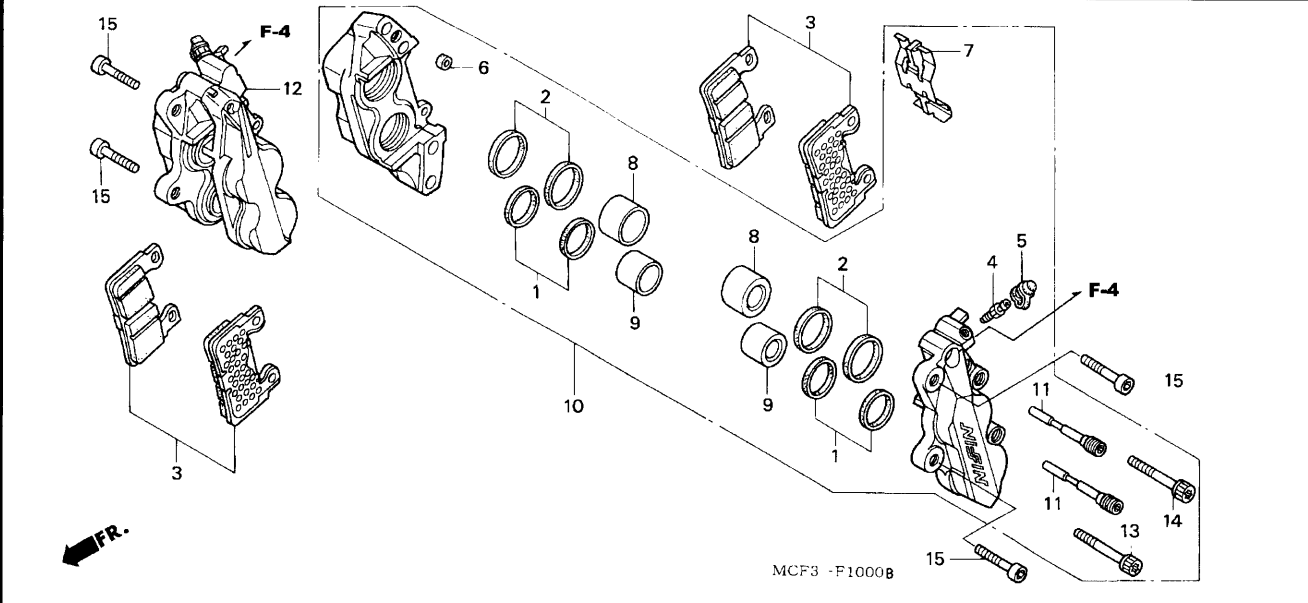
Ref. No.	Part No.	Description	Reqd. QTY			Serial No.	Parts catalogue code
			VTR1000SP	Y	1		
17	51425-MCF-003	PIPE, R. SLIDE .....	1	-	-		
	51425-MCF-D01	.....	-	1	-		
18	51430-MCF-003	DAMPER COMP., FR. ....	2	2	2		
	51430-MCF-D31	.....	-	-	2		
19	51447-KA4-711	RING, OIL SEAL STOPPER .....	2	2	2		
20	51454-MCF-003	BOLT, FR. FORK .....	2	-	-		
	51454-MCJ-003	.....	-	2	-	----- CM	
						----- E,ED,F,U	
21	51455-MW4-003	RING, STOPPER .....	2	2	2		
22	51490-MCF-000	SEAL SET, FR. FORK .....	2	2	2		
23	51500-MCF-003	FORK ASSY., L. FR. ....	1	-	-		
	51500-MCF-A01	.....	-	1	-	----- CM	
	51500-MCF-D01	.....	-	1	-	----- E,ED,F,U	
	51500-MCF-A20	.....	-	-	1	----- CM	
	51500-MCF-D31	.....	-	-	1	----- E,ED,F,U	
24	51517-MCF-003	RUBBER, STOPPER .....	2	2	-		
	51517-MCF-D31	.....	-	-	2		
25	51525-MCF-003	PIPE, L. SLIDE .....	1	-	-		
	51525-MCF-D01	.....	-	1	-		
26	90101-MCF-000	BOLT, TORX, 10X25 .....	4	4	-		
27	90109-MR7-000	BOLT, FLANGE, 8X45 .....	4	4	4		
28	91256-MCF-003	DUST SEAL .....	2	2	2		
29	91258-GF4-003	O-RING, 42.2X2.4 .....	2	2	2		
30	91311-MR7-003	O-RING, 13.8X2.4 .....	2	2	-		
31	91351-MCF-003	O-RING, 17.8X2.4 .....	2	2	2		
32	91351-MT7-003	O-RING, 23.7X2.4 .....	2	2	-		
33	51425-MCF-D31	PIPE, R. SLIDE .....	-	-	1		
34	51450-MCJ-751	BOLT, FR. FORK .....	-	-	2		
35	51451-MCJ-751	NUT, LOCK .....	-	-	2		
36	51453-MCJ-751	PLATE B, ADJUSTING .....	-	-	2		
37	51456-MCJ-751	RING, STOPPER .....	-	-	2		
38	51496-MCJ-751	LABEL .....	-	-	2		
39	51525-MCF-D31	PIPE, L. SLIDE .....	-	-	1		
40	53702-MCJ-751	PLATE, SPRING ADJUSTER .....	-	-	2		
41	91255-MCJ-751	O-RING, 10.8X2.4 .....	-	-	2		
42	91256-MCJ-751	O-RING, 23.3X2.4 .....	-	-	2		
43	91257-MCJ-751	O-RING, 9.5X1.5 .....	-	-	2		

3

# F-10

# FRONT BRAKE CALIPER

**H14**



Service item	F.R.T.
PAD SET, FR. ....	0.2
(ADD 0.1 FOR EACH.)	
CALIPER SUB ASSY., L. FR. ....	0.4
(ADD 0.2 FOR EACH.)	
CALIPER SUB ASSY., R. FR.	
PISTON .....	0.6
(ADD 0.1 FOR EACH.)	
(INC. RELATIVE PART)	

**3**

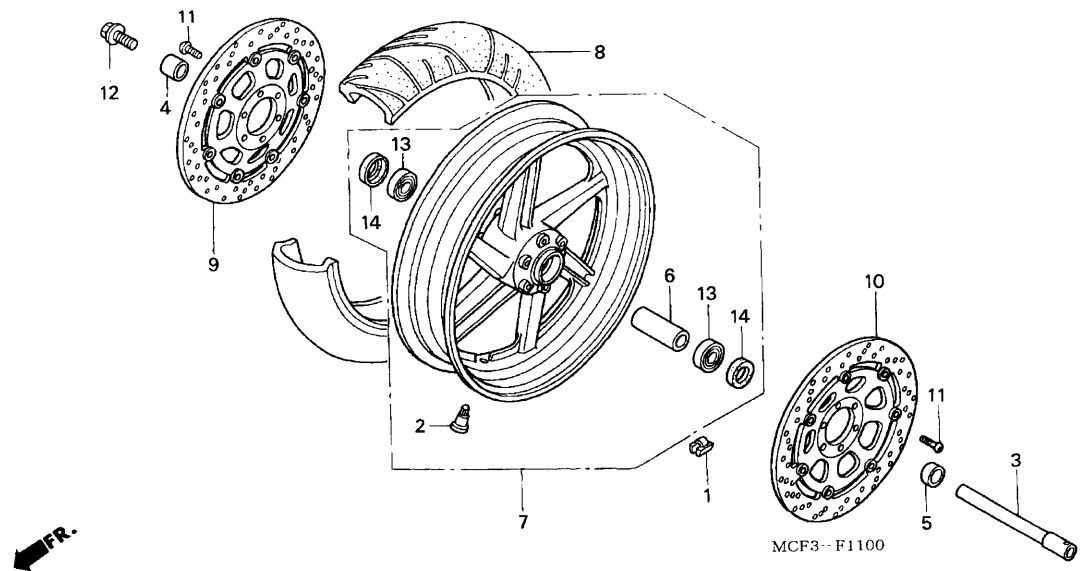
Ref. No.	Part No.	Description	Reqd. QTY			Serial No.	Parts catalogue code
			VTR1000SP	1	2		
1	06451-MA7-405	SEAL SET, PISTON .....	4	4	-		
	06451-MCZ-006	.....	-	-	4		
2	06451-961-405	SEAL SET, PISTON .....	4	4	-		
	06451-MCJ-751	.....	-	-	4		
3	06455-MCF-006	PAD SET, FR. ....	2	2	-		
	06455-MBW-E11	.....	-	-	2		
4	43352-568-003	SCREW, BLEEDER .....	2	2	2		
5	43353-461-771	CAP, BLEEDER .....	2	2	2		
6	45103-MR7-006	SEAL, JOINT .....	2	2	2		
7	45106-MAS-E01	SPRING COMP., PAD .....	2	2	2		
8	45107-MAS-E01	PISTON A .....	4	4	-		
	45117-MCJ-751	PISTON B .....	-	-	4		
9	45117-MAS-E01	PISTON B .....	4	4	-		
	45107-MCZ-006	PISTON A .....	-	-	4		
10	45150-MCF-006	CALIPER SUB ASSY., L. FR. ....	1	1	-		
	45150-MCF-D31	.....	-	-	1		
11	45215-MAS-E01	PIN, HANGER .....	4	4	4		
12	45250-MCF-006	CALIPER SUB ASSY., R. FR. ....	1	1	-		
	45250-MCF-D31	.....	-	-	1		
13	90107-MAS-E01	BOLT, TORX, 8X35 .....	4	4	4		
14	90108-MAS-E01	BOLT, TORX, 8X40 .....	4	4	4		
15	90122-MCF-000	BOLT, SOCKET, 8X30 .....	4	4	4		



F-11

FRONT WHEEL (VTR1000SPY-1)

H15



Service item	F.R.T.
AXLE, FR. WHEEL .....	0.4
DISK COMP., L. FR. BRAKE .....	0.5
(ADD 0.1 FOR EACH.)	
DISK COMP., R. FR. BRAKE	
BEARING, RADIAL BALL, 22X47X14	0.6
(ADD 0.1 FOR EACH.)	
COLLAR, FR. AXLE DISTANCE	
WEIGHT, BALANCE .....	0.7
TIRE, FR. ....	1.2
WHEEL SUB ASSY., FR. ....	1.3

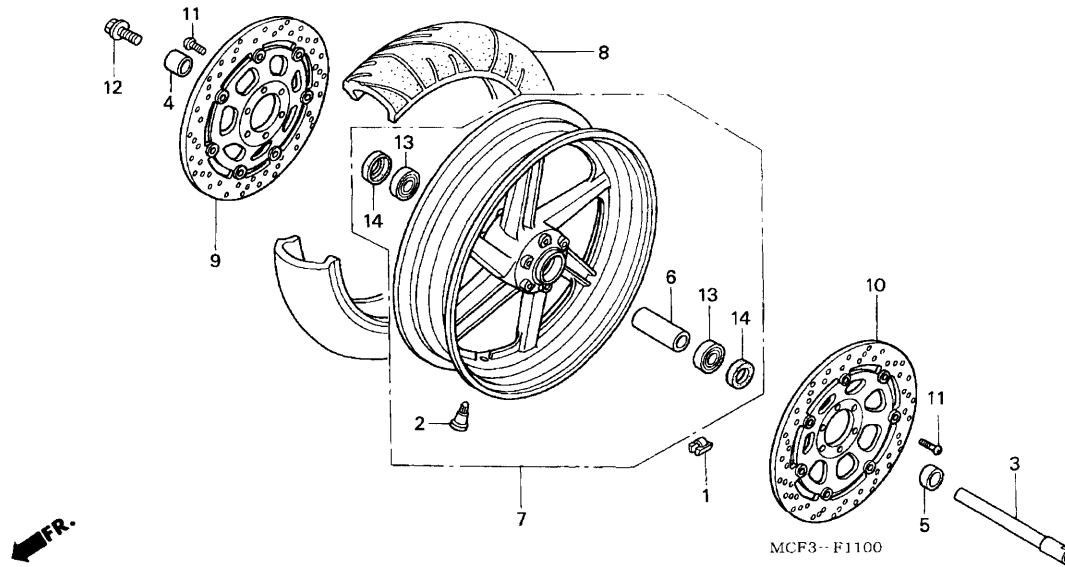
Ref. No.	Part No.	Description	Reqd. QTY			Serial No.	Parts catalogue code
			VTR1000SP	Y	1		
1	42704-MBO-000	WEIGHT, BALANCE (10G) .....	N	N	-		
	42705-MBO-000	WEIGHT, BALANCE (20G) .....	N	N	-		
	42706-MBO-000	WEIGHT, BALANCE (30G) .....	N	N	-		
2	42753-MCF-008	VALVE, RIM (PIRELLI) .....	1	1	-		
	42753-ML7-004	VALVE, RIM (DUNLOP) .....	1	1	-		
3	44301-MCF-000	AXLE, FR. WHEEL .....	1	1	-		
4	44311-MCF-000	COLLAR, R. FR. WHEEL SIDE ...	1	-	-		
	44311-MCF-D00	.....	-	1	-		
5	44312-MCF-000	COLLAR, L. FR. WHEEL SIDE ...	1	-	-		
	44312-MCF-D00	.....	-	1	-		
6	44620-MCF-000	COLLAR, FR. AXLE DISTANCE ...	1	1	-		
7	44650-MCF-000	WHEEL SUB ASSY., FR. ....	1	1	-	-----	E,ED,F,U
	44650-MCF-670	.....	1	1	-	-----	CM
8	44711-MCF-004	TIRE, FR. (DUNLOP) (120/70ZR17 58W)	1	1	-		
	44711-MCF-006	TIRE, FR. (METZELER) (120/70ZR17 58W)	1	1	-		
9	45120-MCF-003	DISK COMP., R. FR. BRAKE .....	1	-	-	-----	CM
			1	-	-	-----	YM000066 U
			1	-	-	-----	YM000903 F
			1	-	-	-----	YM006460 E,ED
	45120-MCF-013	.....	1	-	-	-----	YM000067 U
			1	-	-	-----	YM000904 F
			1	-	-	-----	YM006461 E,ED
	45120-MCF-D01	.....	-	1	-		

3

F-11

FRONT WHEEL (VTR1000SPY-1)

H16



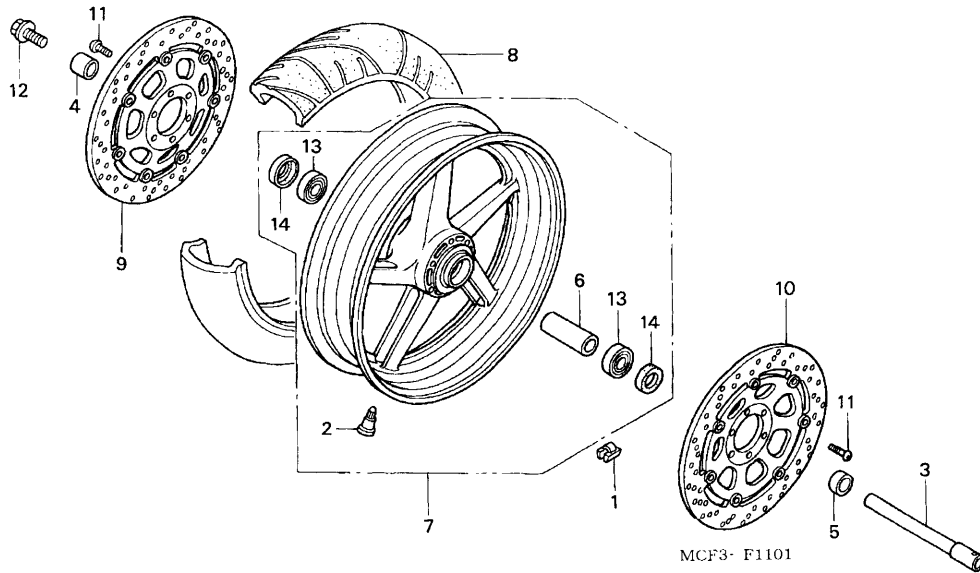
Ref. No.	Part No.	Description	Reqd. QTY		Serial No.	Parts catalogue code
			VTR1000SP			
			Y	1	2	
10	45220-MCF-003	DISK COMP., L. FR. BRAKE .....	1	-	-	----- CM
			1	-	-	----- YM000066 U
			1	-	-	----- YM000903 F
			1	-	-	----- YM006460 E,ED
	45220-MCF-013	.....	1	-	-	----- YM000067 U
			1	-	-	----- YM000904 F
			1	-	-	----- YM006461 E,ED
	45220-MCF-D01	.....	-	1	-	
11	90106-MBB-000	BOLT, DISK, 6X17 .....	12	12	-	
12	90305-ML7-000	BOLT, FR. AXLE .....	1	1	-	
13	91073-MCF-003	BEARING, RADIAL BALL, 22X47X14	2	2	-	
14	91253-443-761	DUST SEAL, 30X47X8 .....	2	2	-	

3

# F-11-1

# FRONT WHEEL (VTR1000SP2)

11



Service item	F.R.T.
AXLE, FR. WHEEL .....	0.4
DISK COMP., L. FR. BRAKE .....	0.5
(ADD 0.1 FOR EACH.)	
.DISK COMP., R. FR. BRAKE	
BEARING, RADIAL BALL, 22X47X14	0.6
(ADD 0.1 FOR EACH.)	
.COLLAR, FR. AXLE DISTANCE	
WEIGHT, BALANCE .....	0.7
TIRE, FR. ....	1.2
WHEEL SUB ASSY., FR. ....	1.3

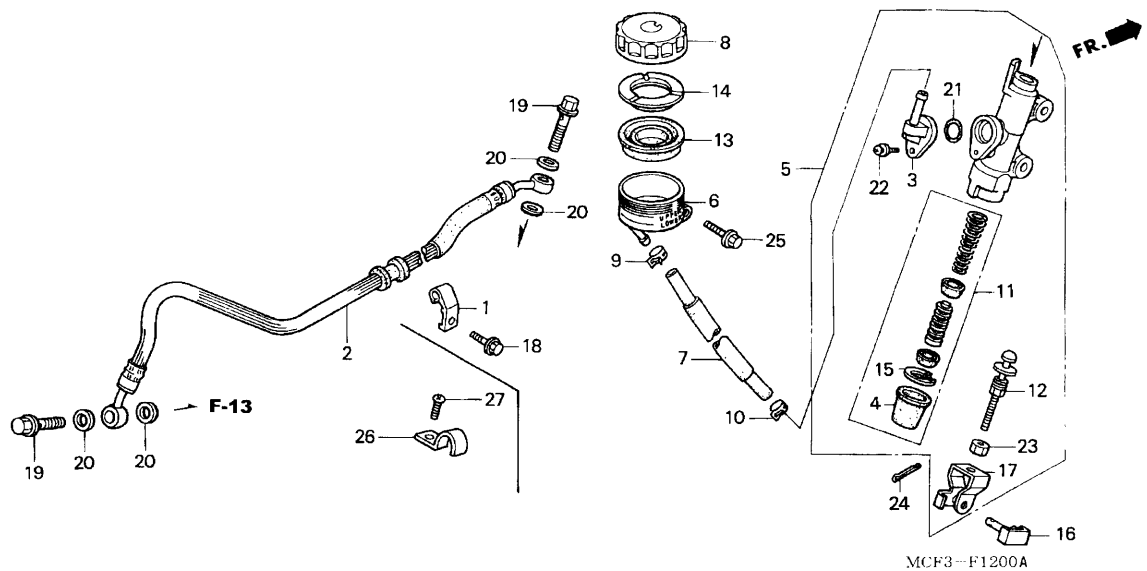
Ref. No.	Part No.	Description	Reqd. QTY			Serial No.	Parts catalogue code
			VTR1000SP	Y	1		
1	42704-MB0-000	WEIGHT, BALANCE (10G) .....	-	-	N		
	42705-MB0-000	WEIGHT, BALANCE (20G) .....	-	-	N		
	42706-MB0-000	WEIGHT, BALANCE (30G) .....	-	-	N		
2	42753-MCF-008	VALVE, RIM (PIRELLI) .....	-	-	1		
	42753-ML7-004	VALVE, RIM (DUNLOP) .....	-	-	1		
3	44301-MCF-000	AXLE, FR. WHEEL .....	-	-	1		
4	44311-MCF-D00	COLLAR, R. FR. WHEEL SIDE ...	-	-	1		
5	44312-MCF-D00	COLLAR, L. FR. WHEEL SIDE ...	-	-	1		
6	44620-MCF-000	COLLAR, FR. AXLE DISTANCE ...	-	-	1		
7	44650-MCF-D30ZA	WHEEL SUB ASSY., FR. *TYPE2*	-	-	1	----- CM	
	44650-MCF-D30ZB	WHEEL SUB ASSY., FR. *TYPE1*	-	-	1	----- E,ED,F,U	
8	44711-MCF-D31	TIRE, FR. (DUNLOP) (120/70ZRM/C 58W)	-	-	1		
	44711-MCF-016	TIRE, FR. (METZELER) (120/70ZR17 58W)	-	-	1		
9	45120-MCF-D31	DISK COMP., R. FR. BRAKE .....	-	-	1		
10	45220-MCF-D31	DISK COMP., L. FR. BRAKE .....	-	-	1		
11	90106-MBB-000	BOLT, DISK, 6X17 .....	-	-	12		
12	90305-ML7-000	BOLT, FR. AXLE .....	-	-	1		
13	91073-MCF-003	BEARING, RADIAL BALL, 22X47X14	-	-	2		
14	91253-443-761	DUST SEAL, 30X47X8 .....	-	-	2		

3

# F-12

# RR. BRAKE MASTER CYLINDER

12



Service item	F.R.T.
DIAPHRAGM .....	0.3
CUP COMP., OIL .....	0.4
HOSE, MASTER CYLINDER .....	0.5
HOSE COMP., RR. BRAKE .....	0.6
CYLINDER SUB ASSY., RR. MASTER .PISTON SET, MASTER CYLINDER	0.7

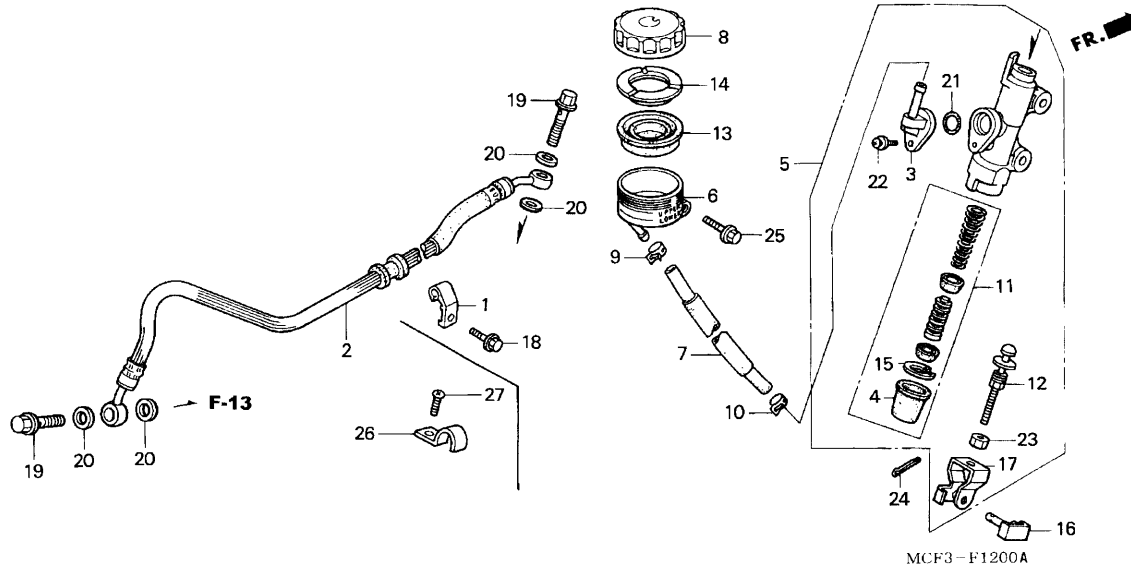
Ref. No.	Part No.	Description	Reqd. QTY		Serial No.	Parts catalogue code
			VTR1000SP			
			Y	1	2	
1	43154-MCF-000	CLAMPER, RR. BRAKE HOSE .....	1	-	-	
	43154-MCF-D00	.....	-	1	-	
2	43310-MCF-003	HOSE COMP., RR. BRAKE .....	1	1	-	
	43310-MCF-D30	.....	-	-	1	
3	43503-MB2-006	CONNECTOR, MASTER CYLINDER ..	1	1	1	
4	43504-MB2-006	BOOT COMP. ....	1	1	1	
5	43510-MCF-006	CYLINDER SUB ASSY., RR. MASTER (NISSIN)	1	-	-	
	43510-MCF-D01	.....	-	1	1	
6	43511-MR7-016	CUP COMP., OIL .....	1	1	1	
7	43512-MCF-006	HOSE, MASTER CYLINDER .....	1	1	1	
8	43513-MY1-006	CAP, OIL CUP .....	1	1	1	
9	43514-KS6-701	CLAMP, MASTER CYLINDER OIL HOSE	1	1	1	
10	43514-MN9-006	CLAMP, MASTER CYLINDER OIL HOSE	1	1	1	
11	43520-MB2-305	PISTON SET, MASTER CYLINDER (NISSIN)	1	1	1	
12	43530-MB2-006	ROD COMP., PUSH .....	1	1	1	
13	45520-300-000	DIAPHRAGM .....	1	-	-	
	45520-371-013	.....	-	1	1	
14	45521-MJ6-006	PLATE, DIAPHRAGM .....	1	1	1	
15	46182-500-013	CIRCLIP .....	1	1	1	
16	46503-MAL-000	PIN COMP., BRAKE ROD .....	1	1	1	
17	46504-MAL-601	JOINT, BRAKE ROD .....	1	1	1	
18	90101-MAS-000	BOLT, FLANGE, 6X20 .....	1	1	-	

3

F-12

RR. BRAKE MASTER CYLINDER

13



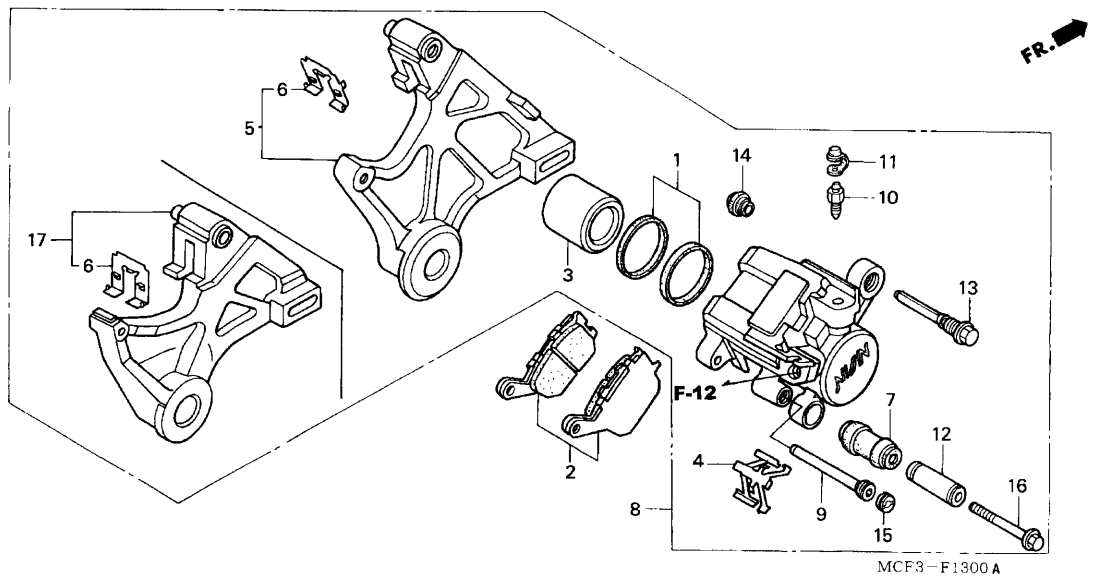
Ref. No.	Part No.	Description	Reqd. QTY			Serial No.	Parts catalogue code
			Y	1	2		
19	90145-MS9-612	BOLT, OIL, 10X22	2	2	2		
20	90545-300-000	WASHER, OIL BOLT	4	4	4		
21	91212-422-006	O-RING, 14.8X2.4	1	1	1		
22	93893-04012-17	SCREW-WASHER, 4X12	1	1	1		
23	94002-08000-0S	NUT, HEX., 8MM	1	1	1		
24	94201-20120	PIN, SPLIT, 2.0X12	1	1	1		
25	96001-06018-00	BOLT, FLANGE, 6X18	1	1	1		
26	43468-MCJ-750	GUIDE, BRAKE HOSE	-	-	1		
27	90110-MCJ-000	SCREW, PAN, 5X16	-	-	1		

3

F-13

REAR BRAKE CALIPER

14



Service item	F.R.T.
PAD SET, RR. ....	0.1
BRACKET COMP., RR. ....	0.5
PISTON ..... (INC. RELATIVE PART)	0.6
CALIPER SUB ASSY., RR. ....	1.0

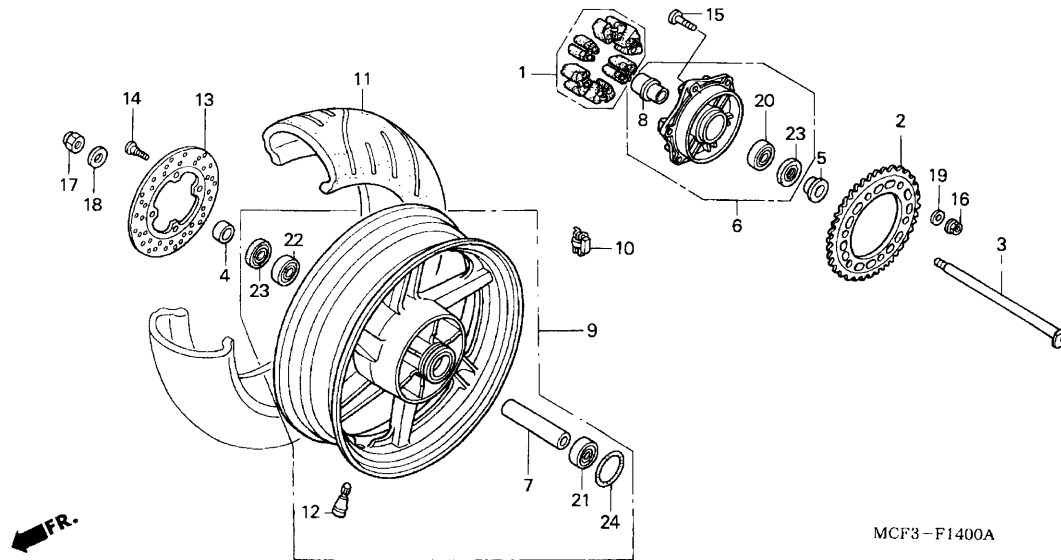
Ref. No.	Part No.	Description	Reqd. QTY		Serial No.	Parts catalogue code
			VTR1000SP			
			Y	1 2		
1	06451-443-405	SEAL SET, PISTON .....	1	1 1		
2	43105-MW0-405	PAD SET, RR. ....	1	1 1		
3	43107-KT7-761	PISTON .....	1	1 1		
4	43108-MBB-006	SPRING, PAD .....	1	1 1		
5	43110-MCF-006	BRACKET COMP., RR. ....	1	1 -		
6	43112-MCF-006	RETAINER, RR. BRACKET .....	1	1 1		
7	43132-KT7-761	BOOT, SLEEVE .....	1	1 1		
8	43150-MCF-006 43150-MCF-D31	CALIPER SUB ASSY., RR. ....	1	1 -		
9	43215-ML3-911	PIN, HANGER .....	1	1 1		
10	43352-568-003	SCREW, BLEEDER .....	1	1 1		
11	43353-461-771	CAP, BLEEDER .....	1	1 1		
12	45111-MA3-006	SLEEVE .....	1	1 1		
13	45131-MN9-006	BOLT, PIN .....	1	1 1		
14	45133-MA3-006	BOOT B .....	1	1 1		
15	45203-MG3-016	PLUG, PIN .....	1	1 1		
16	90180-MN8-006	BOLT, FLANGE, 8X49 .....	1	1 1		
17	43110-MCF-D31	BRACKET COMP., RR. ....	-	- 1		

3

# F-14

# REAR WHEEL (VTR1000SPY-1)

15



Service item	F.R.T.
AXLE, RR. WHEEL .....	0.4
.DAMPER SET, WHEEL	
DISK, RR. BRAKE .....	0.5
.FLANGE SUB ASSY., RR. DRIVEN	
.SPROCKET, FINAL DRIVEN	
BEARING, RADIAL BALL, 27X52X23.8	0.6
.BEARING, RADIAL BALL, (ADD 0.1 FOR EACH.)	
.COLLAR, RR. AXLE DISTANCE	
WEIGHT, BALANCE .....	0.7
TIRE, RR. ....	1.3
WHEEL SUB ASSY., RR. ....	1.4

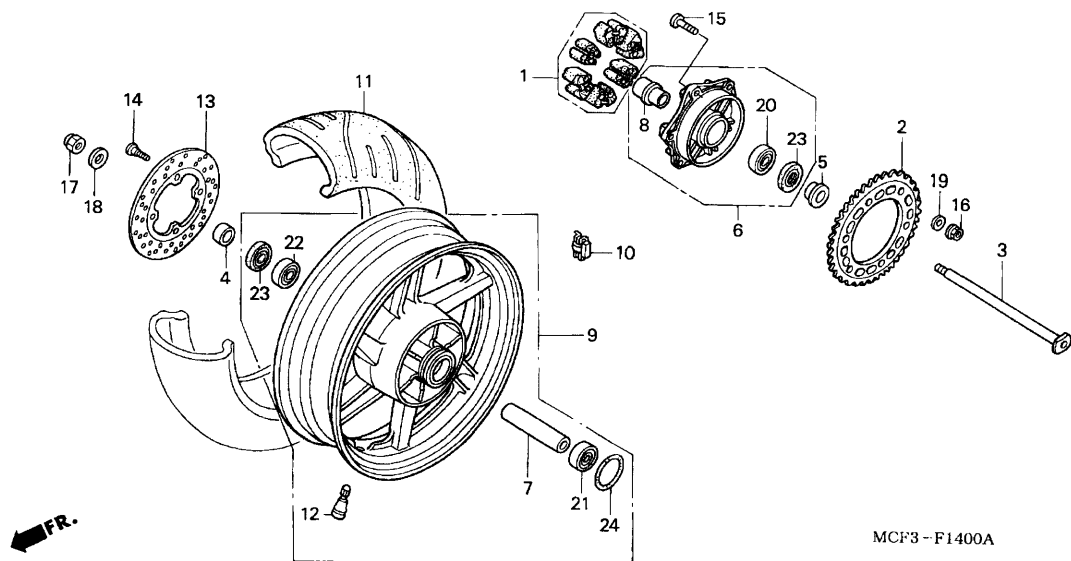
Ref. No.	Part No.	Description	Reqd. QTY		Serial No.	Parts catalogue code
			VTR1000SP			
			Y	1	2	
1	06410-MCF-000	DAMPER SET, WHEEL .....	1	1	-	
2	41201-MCF-000	SPROCKET, FINAL DRIVEN (40T)	1	1	-	
3	42301-MCF-000	AXLE, RR. WHEEL .....	1	1	-	
4	42312-MCF-000	COLLAR, RR. BRAKE SIDE .....	1	-	-	
	42312-MCF-D00	.....	-	1	-	
5	42313-MCF-000	COLLAR, RR. WHEEL SIDE .....	1	-	-	
	42313-MCF-D00	.....	-	1	-	
6	42615-MCF-000	FLANGE SUB ASSY., RR. DRIVEN	1	1	-	
7	42620-MCF-000	COLLAR, RR. AXLE DISTANCE ...	1	1	-	
8	42625-MCF-000	COLLAR B, RR. WHEEL DISTANCE	1	1	-	
9	42650-MCF-000	WHEEL SUB ASSY., RR. ....	1	1	-	----- E,ED,F,U
	42650-MCF-670	.....	1	1	-	----- CM
10	42704-MB0-000	WEIGHT, BALANCE (10G) .....	N	N	-	
	42705-MB0-000	WEIGHT, BALANCE (20G) .....	N	N	-	
	42706-MB0-000	WEIGHT, BALANCE (30G) .....	N	N	-	
11	42711-MCF-004	TIRE, RR. (DUNLOP) (190/50ZR17 73W)	1	1	-	
	42711-MCF-006	TIRE, RR. (METZELER) (190/50ZR17 73W)	1	1	-	
12	42753-MCF-008	VALVE, RIM (PIRELLI) .....	1	1	-	
	42753-ML7-004	VALVE, RIM (DUNLOP) .....	1	1	-	
13	43251-KFK-000	DISK, RR. BRAKE .....	1	-	-	
	43251-MCJ-000	.....	-	1	-	
14	90105-MBB-000	BOLT, BRAKE DISK, 8X24 .....	4	4	-	
15	90121-MCF-000	BOLT, 10X30 .....	6	-	-	
	90121-MCF-D00	.....	-	6	-	

3

# F-14

# REAR WHEEL (VTR1000SPY-1)

16



Ref. No.	Part No.	Description	Reqd. QTY		Serial No.	Parts catalogue code
			VTR1000SP			
			Y	1	2	
16	90304-KAE-871	NUT, U, 10MM .....	6	6	-	
17	90305-KZ4-J20	NUT, U, 22MM .....	1	-	-	
	90306-MCF-D00	.....	-	1	-	
18	90401-MAZ-000	WASHER, 22X38X2.5 .....	1	1	-	
19	90502-MCF-000	WASHER, 10MM .....	6	6	-	
20	91051-MCF-003	BEARING, RADIAL BALL, 27X52X23.8	1	1	-	
21	91052-MCF-003	BEARING, RADIAL BALL, 6005 ..	1	1	-	
22	91053-MAZ-003	BEARING, RADIAL BALL, (6205X2)	1	1	-	
23	91254-MCF-003	DUST SEAL, 35X52X7.5 .....	2	2	-	
24	91352-MCF-003	O-RING, 51X2 .....	1	1	-	

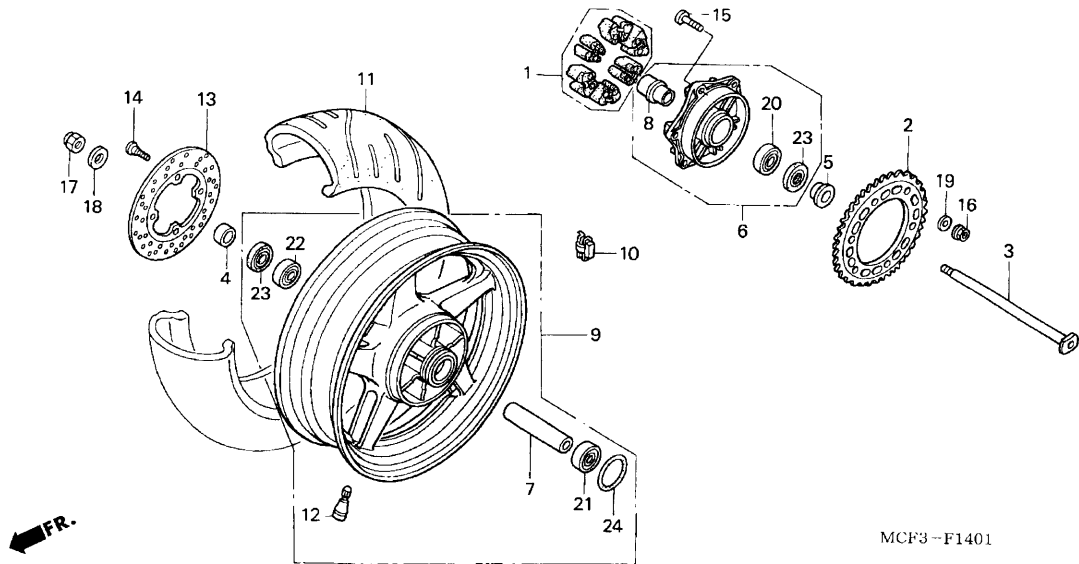
3



# F-14-1

# REAR WHEEL (VTR1000SP2)

17



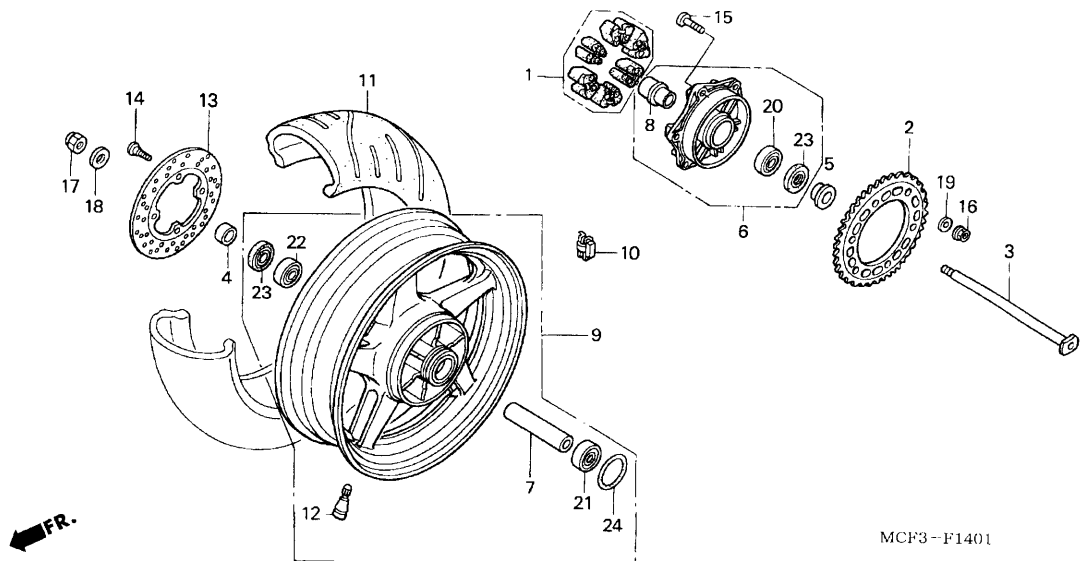
Service item	F.R.T.
AXLE, RR. WHEEL .....	0.4
.DAMPER SET, WHEEL	
DISK, RR. BRAKE .....	0.5
.FLANGE SUB ASSY., RR. DRIVEN	
.SPROCKET, FINAL DRIVEN	
BEARING, RADIAL BALL, 27X52X23.8	0.6
.BEARING, RADIAL BALL, (ADD 0.1 FOR EACH.)	
.COLLAR, RR. AXLE DISTANCE	
WEIGHT, BALANCE .....	0.7
TIRE, RR. ....	1.3
WHEEL SUB ASSY., RR. ....	1.4

Ref. No.	Part No.	Description	Reqd. QTY		Serial No.	Parts catalogue code
			VTR1000SP			
			Y	1 2		
1	06410-MCF-000	DAMPER SET, WHEEL .....	-	-	1	
2	41201-MCF-000	SPROCKET, FINAL DRIVEN (40T)	-	-	1	
3	42301-MCF-D30	AXLE, RR. WHEEL .....	-	-	1	
4	42312-MCF-D00	COLLAR, RR. BRAKE SIDE .....	-	-	1	
5	42313-MCF-D00	COLLAR, RR. WHEEL SIDE .....	-	-	1	
6	42615-MCF-000	FLANGE SUB ASSY., RR. DRIVEN	-	-	1	
7	42620-MCF-000	COLLAR, RR. AXLE DISTANCE ...	-	-	1	
8	42625-MCF-000	COLLAR B, RR. WHEEL DISTANCE	-	-	1	
9	42650-MCF-D30ZA	WHEEL SUB ASSY., RR. *TYPE2*	-	-	1	----- CM
	42650-MCF-D30ZB	WHEEL SUB ASSY., RR. *TYPE1*	-	-	1	----- E,ED,F,U
10	42704-MBO-000	WEIGHT, BALANCE (10G) .....	-	-	N	
	42705-MBO-000	WEIGHT, BALANCE (20G) .....	-	-	N	
	42706-MBO-000	WEIGHT, BALANCE (30G) .....	-	-	N	
11	42711-MCF-016	TIRE, RR. (METZELER) (190/50ZR17 73W)	-	-	1	
	42711-MCF-D31	TIRE, RR. (DUNLOP) (190/50ZR17 73W)	-	-	1	
12	42753-MCF-008	VALVE, RIM (PIRELLI) .....	-	-	1	
	42753-ML7-004	VALVE, RIM (DUNLOP) .....	-	-	1	
13	43251-MCJ-000	DISK, RR. BRAKE .....	-	-	1	
14	90105-MBB-000	BOLT, BRAKE DISK, 8X24 .....	-	-	4	
15	90121-MCF-D30	BOLT, 10X30 .....	-	-	6	
16	90304-KAE-871	NUT, U, 10MM .....	-	-	6	
17	90306-MCF-D00	NUT, U, 22MM .....	-	-	1	
18	90401-MAZ-000	WASHER, 22X38X2.5 .....	-	-	1	
19	90502-MCF-000	WASHER, 10MM .....	-	-	6	

3

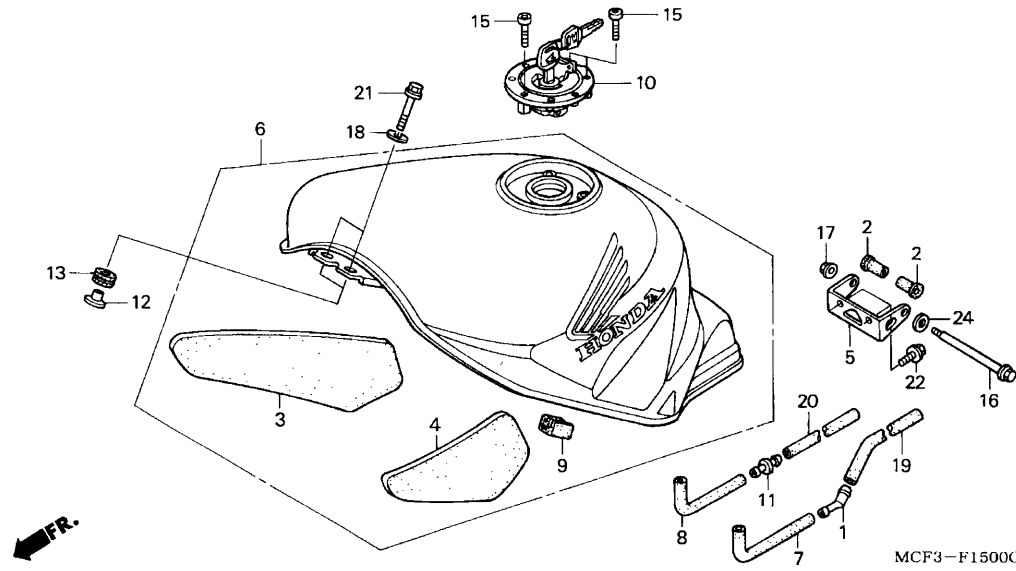
# F-14-1

# REAR WHEEL (VTR1000SP2)



Ref. No.	Part No.	Description	Reqd. QTY		Serial No.	Parts catalogue code
			VTR1000SP	Y		
20	91051-MCF-003	BEARING, RADIAL BALL, 27X52X23.8	-	-	1	
21	91052-MCF-003	BEARING, RADIAL BALL, 6005 ..	-	-	1	
22	91053-MAZ-003	BEARING, RADIAL BALL, (6205X2)	-	-	1	
23	91254-MCF-003	DUST SEAL, 35X52X7.5 .....	-	-	2	
24	91352-MCF-003	O-RING, 51X2 .....	-	-	1	

3



Service item	F.R.T.
CAP COMP., FUEL TANK .....	0.1
STAY A, FUEL TANK RR. ....	0.4
TANK SET, FUEL .....	0.5

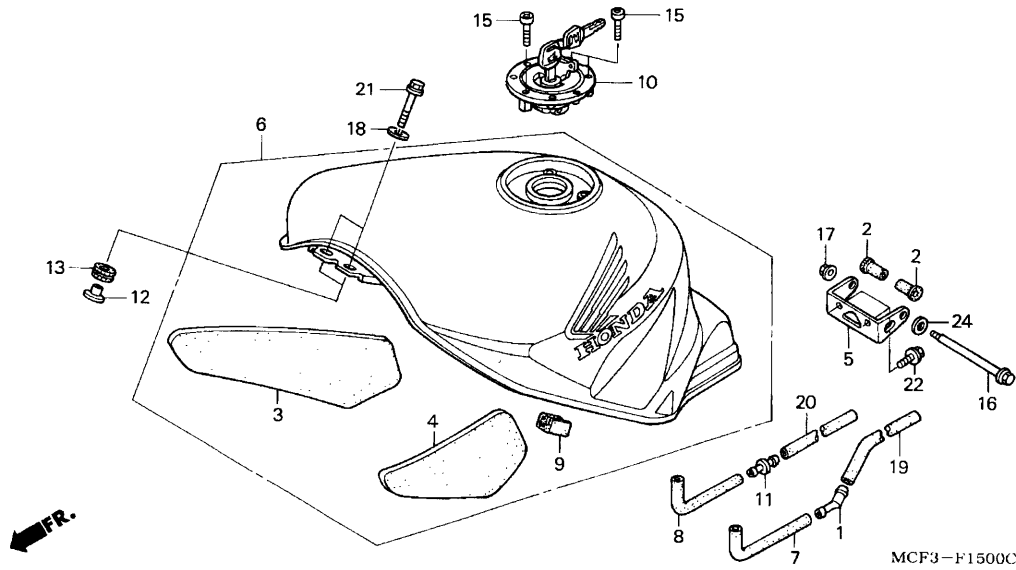
Ref. No.	Part No.	Description	Reqd. QTY			Serial No.	Parts catalogue code
			VTR1000SP	Y	1		
1	17359-419-670	JOINT, BREATHER TUBE .....	1	1	1		
2	17506-MB1-000	CUSHION, FUEL TANK PIVOT ....	2	2	2		
3	17513-MCF-300	MAT B, R. FUEL TANK .....	1	1	1	-----	E,ED,F,U
4	17514-MCF-300	MAT B, L. FUEL TANK .....	1	1	1	-----	E,ED,F,U
5	17516-MCF-000	STAY A, FUEL TANK RR. ....	1	-	-		
			-	1	1	-----	CM
	17516-MCF-D00	.....	-	1	1	-----	E,ED,F,U
6	17520-MCF-000ZB	TANK SET, FUEL *TYPE1*(WL) ..	1	1	-	-----	E,ED,F,U
	17520-MCF-670ZA	TANK SET, FUEL *TYPE2*(WL) ..	1	1	-	-----	CM
	17520-MCF-D20ZA	TANK SET, FUEL *TYPE3*(WL) ..	-	1	-	-----	E,ED,F,U
	17520-MCF-A20ZA	TANK SET, FUEL *TYPE2*(WL) ..	-	-	1	-----	CM
	17520-MCF-D30ZA	TANK SET, FUEL *TYPE1*(WL) ..	-	-	1	-----	E,ED,F,U
7	17543-MBG-000	TUBE, DRAIN .....	1	1	1		
8	17544-MBG-000	TUBE, BREATHER .....	1	1	1		
9	17611-ML7-000	CUSHION, FUEL TANK .....	2	2	2		
10	17620-MT4-010	CAP COMP., FUEL TANK .....	1	-	-		
	17620-MT4-020	.....	-	1	-		
	17620-MCF-D30	CAP COMP., FUEL FILLER .....	-	-	1		
11	19103-ML7-000	JOINT, TUBE .....	1	1	1		
12	61104-422-000	COLLAR, SETTING .....	2	2	2		
13	84703-425-000	RUBBER, TAILLIGHT MOUNTING ..	2	2	2		
15	90074-MT4-000	BOLT, SOCKET, 4X21 .....	3	3	3		
16	90135-MS2-000	BOLT, TANK HINGE .....	1	1	1		
17	90301-473-003	NUT, U, 6MM .....	1	1	1		
18	94103-06700	WASHER, PLAIN, 6MM .....	2	2	2		
19	95005-80300-20	TUBE, 8X300(95005-80001-20M)	1	1	1		



F-15

FUEL TANK

I10



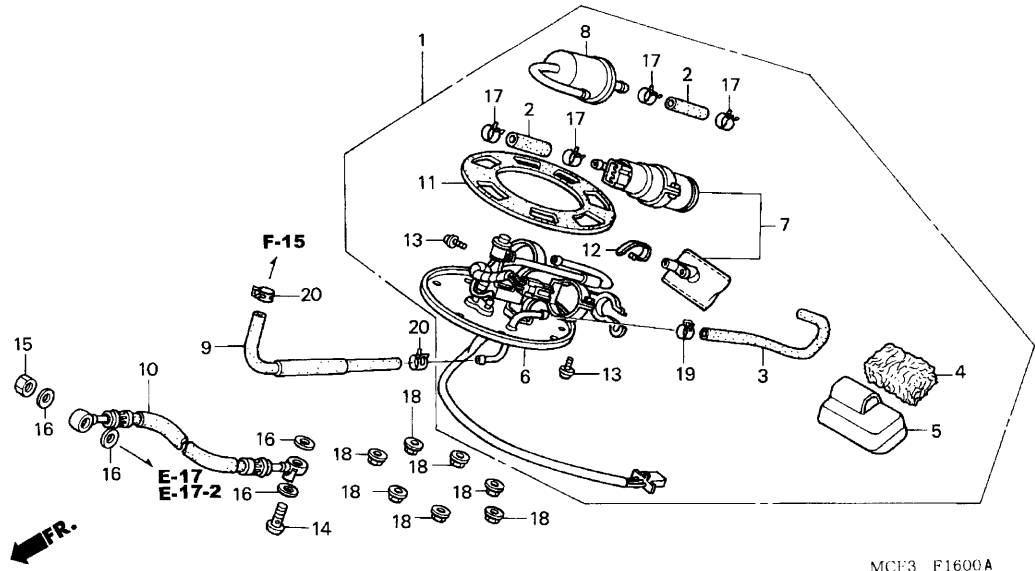
Ref. No.	Part No.	Description	Reqd. QTY			Serial No.	Parts catalogue code
			Y	1	2		
20	95005-80860-20	TUBE, 8X860(95005-80001-20M)	1	1	1		
21	96001-06040-07	BOLT, FLANGE, 6X40 .....	2	2	2		
22	96300-06016-00	BOLT, FLANGE, 6X16 .....	2	2	2		
24	94101-06000	WASHER, PLAIN, 6MM .....	1	1	1		

3

F-16

FUEL PUMP

111



MCF3 F1600A

Service item	F.R.T.
HOSE A, FUEL RETURN .....	0.4
.PUMP SUB ASSY., FUEL (INC. RELATIVE PART)	
FILTER COMP., FUEL .....	0.5
.STAY COMP., FUEL PUMP	
HOSE COMP., FUEL FEED .....	0.7

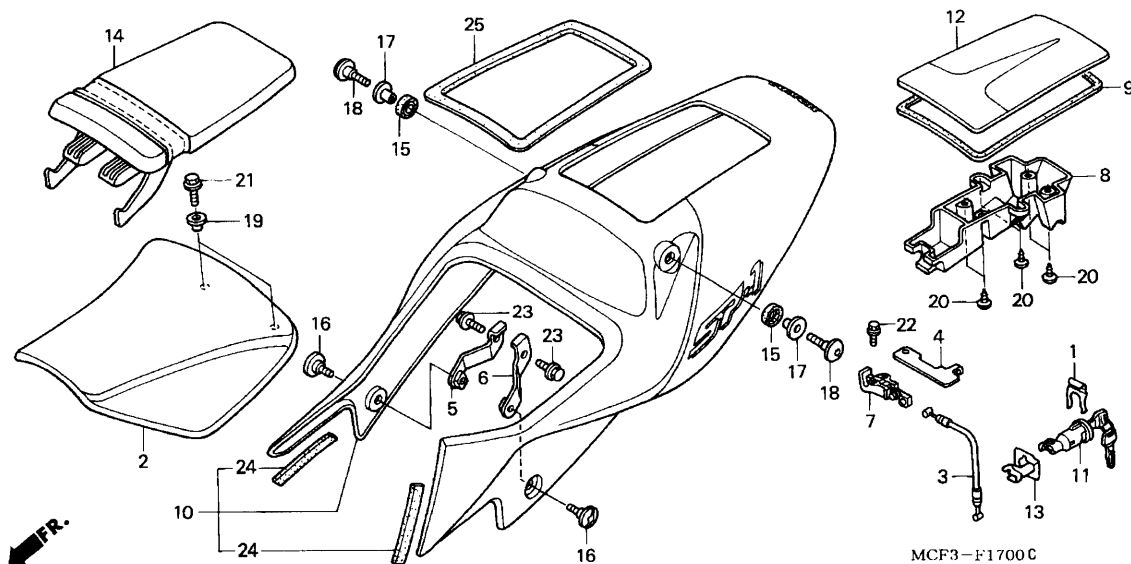
Ref. No.	Part No.	Description	Reqd. QTY			Serial No.	Parts catalogue code
			Y	1	2		
1	16701-MCF-003	PUMP SUB ASSY., FUEL .....	1	1	1		
2	16711-MCF-000	HOSE A, PUMP .....	2	2	2		
3	16713-MCF-000	TUBE, FUEL PUMP RETURN .....	1	1	1		
4	16714-MBG-000	FILTER, FUEL RETURN .....	1	1	1		
5	16716-MCF-000	RUBBER, FUEL PUMP UNIT .....	1	1	1		
6	16720-MCF-003	STAY COMP., FUEL PUMP .....	1	1	1		
7	16730-MCF-003	PUMP SUB ASSY., FUEL .....	1	1	1		
8	16900-MBG-013	FILTER COMP., FUEL .....	1	1	1		
9	17525-MCF-003	HOSE A, FUEL RETURN .....	1	1	1		
10	17527-MCF-003	HOSE COMP., FUEL FEED .....	1	1	1		
11	17574-MCF-000	PACKING, BASE .....	1	1	1		
12	32161-KM3-003	BAND, WIRE .....	1	1	1		
13	90105-MBG-000	SCREW-WASHER, LOCK, 4X8 .....	2	2	2		
14	90108-MBG-000	BOLT, BANJO, 12MM .....	1	1	1		
15	90201-PD1-000	NUT A, SEALING, 12MM .....	1	1	1		
16	90428-PD6-003	WASHER, SEALING, 12MM .....	4	4	4		
17	91405-PD1-004	CLAMP, TUBE (D12) .....	4	4	4		
18	94050-06080	NUT, FLANGE, 6MM .....	7	7	7		
19	95002-40850-04	CLAMP, TUBE (D8.5) .....	1	1	1		
20	95002-41050-08	CLAMP, TUBE (D10.5) .....	2	2	2		

3

F-17

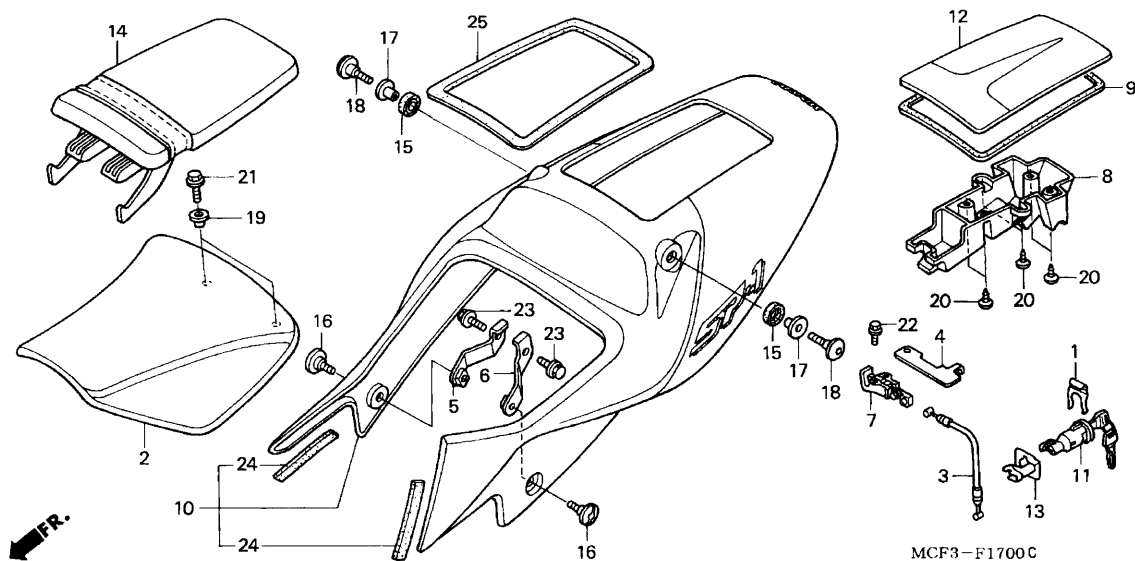
SEAT/SEAT COWL

112



Service item	F.R.T.
BOX, SEAT COWL .....	0.1
.CABLE, SEAT LOCK	
.HOOK, SEAT CATCH	
.PANEL SET, SEAT COWL	
.SEAT ASSY., SINGLE	
COWL SET, SEAT .....	0.2
.KEY, SEAT LOCK	

Ref. No.	Part No.	Description	Reqd. QTY		Serial No.	Parts catalogue code
			VTR1000SP	Y 1 2		
1	75581-GN8-920	SPRING, LOCK KEY SETTING .....	1	1	1	
2	77100-MCF-000	SEAT ASSY., SINGLE .....	1	1	1	
3	77156-MCF-000	CABLE, SEAT LOCK .....	1	1	1	
4	77157-MCF-000	GUARD, SEAT LOCK CABLE .....	1	1	-	
	77157-MCF-D30	.....	-	-	1	
5	77213-MCF-000	STAY, R. SEAT COWL .....	1	1	-	
6	77214-MCF-000	STAY, L. SEAT COWL .....	1	1	-	
7	77220-KY6-000	HOOK, SEAT CATCH .....	1	1	1	
8	77222-MCF-000	BOX, SEAT COWL .....	1	1	1	
9	77223-MCF-300	SEAL, SEAT COWL PANEL .....	1	1	1	
10	77230-MCF-000ZA	COWL SET, SEAT *TYPE1*(WL) ..	1	1	-	E,ED,F,U
	77230-MCF-670ZA	COWL SET, SEAT *TYPE2*(WL) ..	1	1	-	CM
	77230-MCF-D20ZA	.....	-	1	-	E,ED,F,U
	77230-MCF-A20ZA	.....	-	-	1	CM
	77230-MCF-D30ZA	COWL SET, SEAT *TYPE1*(WL) ..	-	-	1	E,ED,F,U
11	77239-KAB-000	KEY, SEAT LOCK .....	1	1	1	
12	77221-MCF-000ZC	PANEL, SEAT COWL				
	*NH146M*	.....				
	77240-MCF-000ZB	ACCURATE SILVER METALLIC	-	1	-	E,ED,F,U
	77240-MCF-000ZB	PANEL SET, SEAT COWL *TYPE1*	1	1	-	E,ED,F,U
	(WL)	.....				
	77240-MCF-670ZB	PANEL SET, SEAT COWL *TYPE2*	1	1	1	CM
	(WL)	.....				
	77240-MCF-D30ZA	PANEL SET, SEAT COWL *TYPE1*	-	-	1	E,ED,F,U
	(WL)	.....				
13	77242-MAT-000	STAY, SEAT LOCK CABLE .....	1	1	1	
14	77300-MCF-000	SEAT ASSY., PILLION .....	1	1	-	

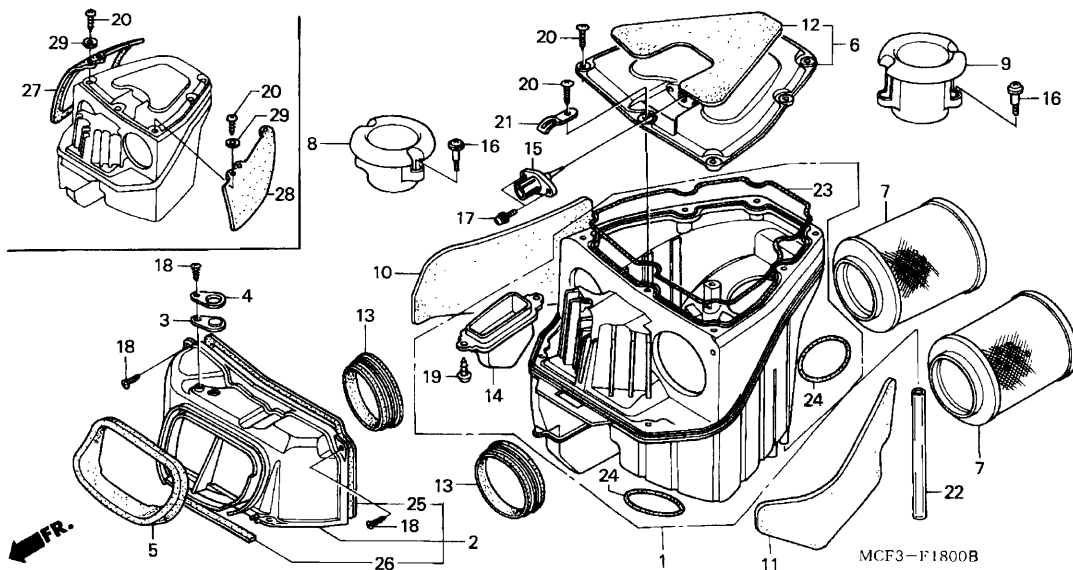


Ref. No.	Part No.	Description	Reqd. QTY			Serial No.	Parts catalogue code
			VTR1000SP	1	2		
14)	77300-MCF-D30	SEAT ASSY., PILLION .....	-	-	1		
15	83641-KY2-700	SPACER, SIDE COWL SETTING ...	2	2	2		
16	83641-MR7-000	BOLT, COWL SETTING (A) .....	2	2	2		
17	83642-KY2-700	COLLAR, SIDE COWL SETTING ...	2	2	2		
18	90116-KY2-700	BOLT, SIDE COWL SETTING .....	2	2	2		
19	90522-028-000	WASHER, CHAIN CASE SETTING ..	2	2	2		
20	93903-25110	SCREW, TAPPING, 5X10 .....	6	6	6		
21	95701-06020-00	BOLT, FLANGE, 6X20 .....	2	2	2		
22	96001-06014-00	BOLT, FLANGE, 6X14 .....	1	1	1		
23	96300-06016-00	BOLT, FLANGE, 6X16 .....	2	2	-		
24	77219-MCF-300	TAPE D, PROTECTION .....	2	2	2		
25	77212-MCF-D30	RUBBER, SEAT COWL .....	-	-	1		

# F-18

# AIR CLEANER(1)

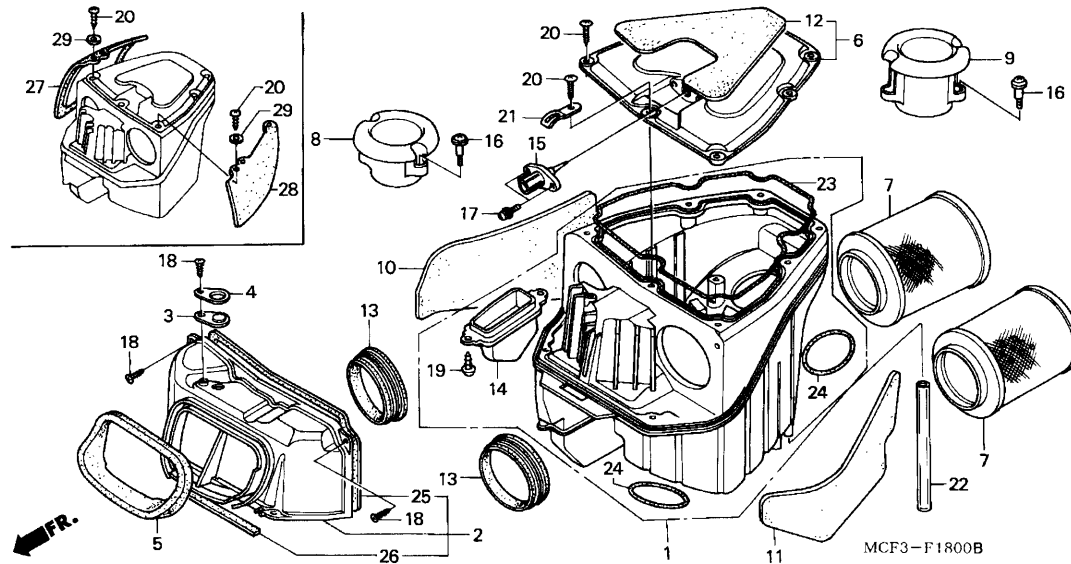
I14



Service item	F.R.T.
SENSOR ASSY., AIR TEMP .....	0.3
ELEMENT, AIR CLEANER .....	0.4
(ADD 0.1 FOR EACH.)	
.FUNNEL, RR. AIR	
(ADD 0.2 FOR EACH.)	
FUNNEL, FR. AIR .....	0.6
(SAME TIME FOR TWO UNITS)	
CHAMBER A .....	0.7
.COVER, FR. DUCT	
CASE COMP., AIR CLEANER .....	0.8

Ref. No.	Part No.	Description	Reqd. QTY		Serial No.	Parts catalogue code
			VTR1000SP			
			Y	1	2	
1	17221-MCF-000	CASE COMP., AIR CLEANER .....	1	-	-	----- E,ED,F,U
	17221-MCF-670	.....	1	1	-	----- CM
	17221-MCF-D00	.....	-	1	-	----- E,ED,F,U
	17221-MCF-D31	.....	-	-	1	
2	17224-MCF-000	COVER, FR. DUCT .....	1	1	1	
3	17225-MCF-000	CAP, FR. COVER .....	1	1	1	
4	17226-MCF-000	PLATE, CAP .....	1	1	1	
5	17229-MCF-000	SEAL, FR. DUCT .....	1	1	-	
	17229-MCF-D30	.....	-	-	1	
6	17231-MCF-000	COVER, AIR CLEANER .....	1	1	1	
7	17235-MCF-000	ELEMENT, AIR CLEANER .....	2	2	-	
	17235-MCF-D30	.....	-	-	2	
8	17237-MCF-000	FUNNEL, FR. AIR .....	1	1	-	----- CM,E,ED,U
	17237-MCF-620	.....	1	1	-	----- F
	17237-MCF-D31	.....	-	-	1	----- CM,E,ED,U
	17237-MCF-F20	.....	-	-	1	----- F
9	17239-MCF-000	FUNNEL, RR. AIR .....	1	1	-	----- CM,E,ED,U
	17239-MCF-620	.....	1	1	-	----- F
	17239-MCF-D31	.....	-	-	1	----- CM,E,ED,U
	17239-MCF-F20	.....	-	-	1	----- F
10	17247-MCF-000	RUBBER, R. SIDE .....	1	1	1	
11	17248-MCF-000	RUBBER, L. SIDE .....	1	1	1	
12	17249-MCF-000	RUBBER, AIR CLEANER COVER .....	1	1	1	
13	17256-MCF-000	SEAL, ELEMENT .....	2	2	2	
14	17365-MCF-000	CHAMBER A .....	1	1	1	
15	37880-P05-A00	SENSOR ASSY., AIR TEMP .....	1	1	1	





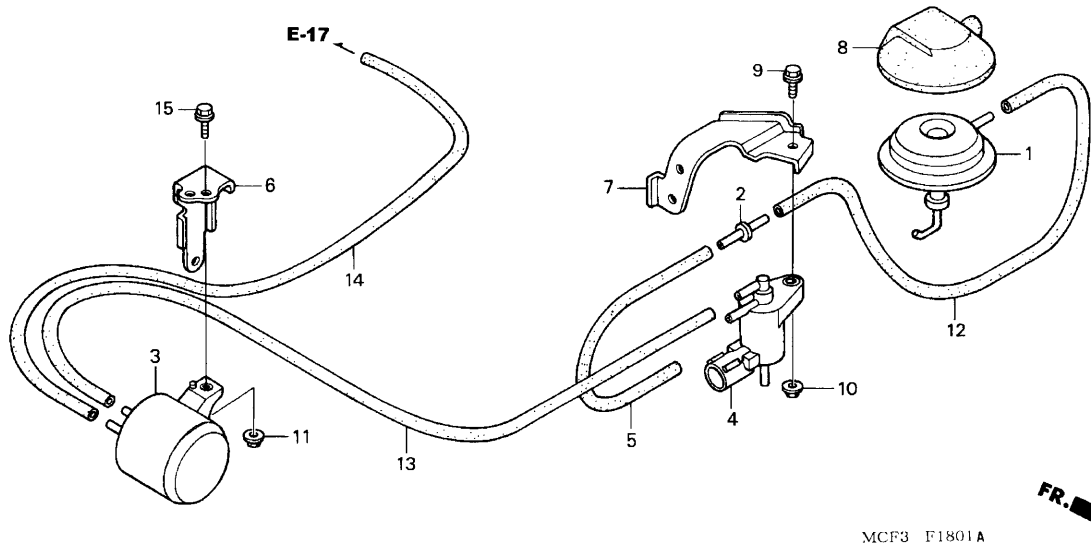
Ref. No.	Part No.	Description	Reqd. QTY			Serial No.	Parts catalogue code
			VTR1000SP	1	2		
16	91508-MM5-000	SCREW, PAN, 5MM .....	4	4	4		
17	93911-25420	SCREW, TAPPING, 5X16 .....	2	2	2		
18	93903-24380	SCREW, TAPPING, 4X12 .....	7	7	7		
19	93903-25280	SCREW, TAPPING, 5X12 .....	2	2	2		
20	93903-25380	SCREW, TAPPING, 5X16 .....	7	7	7		
21	94591-24000	CLIP, WIRE, 2X40 .....	1	1	1		
22	95003-23057-31	TUBE, VINYL, 8X12X570 (95003-23001-60M)	1	1	1		
23	17232-MCF-300	SEAL A, AIR CLEANER CASE ....	1	1	1		
24	17233-MCF-300	SEAL B, AIR CLEANER CASE ....	2	2	-		
	17233-MCF-D31	.....	-	-	2		
25	17245-MCF-300	SEAL A .....	1	1	1		
26	17246-MCF-300	SEAL B .....	1	1	1		
27	17258-MCF-670	RUBBER, AIR CLEANER R. SIDE .	1	1	1	-----	CM
28	17259-MCF-670	RUBBER, AIR CLEANER L. SIDE .	1	1	1	-----	CM
29	94111-05800	WASHER, SPRING, 5MM .....	4	4	4	-----	CM



# F-18-1

# AIR CLEANER(2)(VTR1000SPY-1)

**116**



MCF3 F1801A

Service item	F.R.T.
TANK ASSY., VACUUM .....	0.4
DIAPHRAGM, CONTROL VALVE .....	0.5
.VALVE ASSY., BYPASS CONTROL SOLENOID	

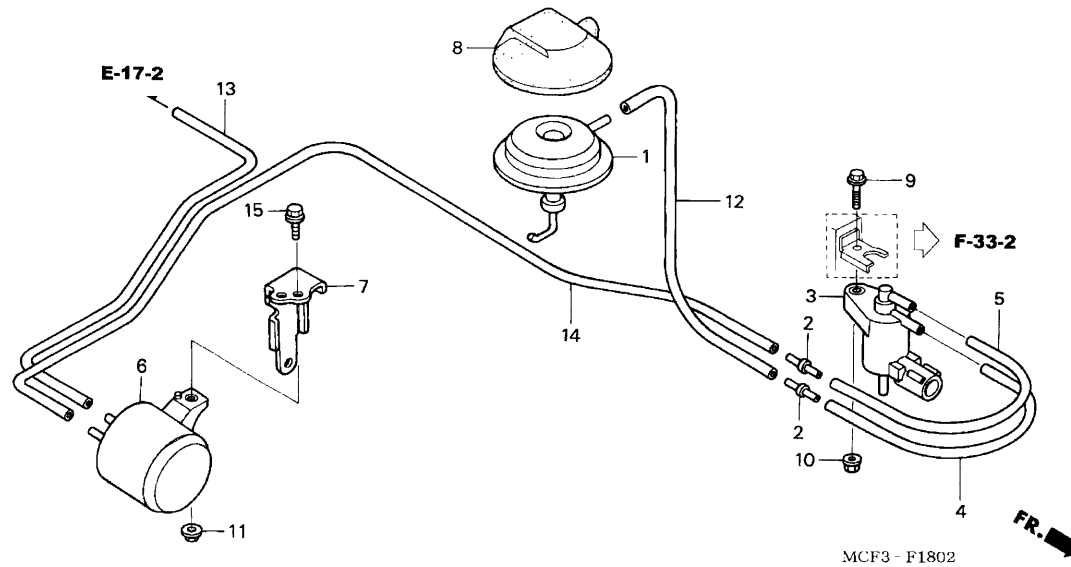
**3**

Ref. No.	Part No.	Description	Reqd. QTY		Serial No.	Parts catalogue code
			VTR1000SP	Y 1 2		
1	17238-MCF-000	DIAPHRAGM, CONTROL VALVE .....	1	1	-	
2	17414-PC6-660	JOINT, TWO WAY (3.5) .....	1	1	-	
3	36620-MCF-000	TANK ASSY., VACUUM .....	1	1	-	
4	36163-PVO-004	VALVE ASSY., BYPASS CONTROL SOLENOID	1	1	-	
5	36164-MCF-000	HOSE, SOLENOID VALVE .....	1	1	-	
6	50313-MCF-000	STAY, VACUUM TANK .....	1	-	-	
			-	1	-	----- CM
	50313-MCF-000	.....	-	1	-	----- E,ED,F,U
7	50314-MCF-000	STAY, SOLENOID VALVE .....	1	-	-	
			-	1	-	----- CM
	50314-MCF-000	.....	-	1	-	----- E,ED,F,U
8	64533-MCF-000	COVER, DIAPHRAGM .....	1	1	-	----- CM
9	93401-05020-07	BOLT-WASHER, 5X20 .....	1	1	-	
10	94050-05070	NUT, FLANGE, 5MM .....	1	1	-	
11	94050-06070	NUT, FLANGE, 6MM .....	1	1	-	
12	95005-35200-20	TUBE, 3.5X200(95005-35001-20M)	1	1	-	
13	95005-35430-20	TUBE, 3.5X430(95005-35001-20M)	1	1	-	
14	95005-35570-13	TUBE, 3.5X570(95005-35001-10M)	1	-	-	
	95005-35570-10	.....	-	1	-	
15	96001-06014-07	BOLT, FLANGE, 6X14 .....	1	1	-	

F-18-2

AIR CLEANER(3)(VTR1000SP2)

J 1



Service item	F.R.T.
TANK ASSY., VACUUM .....	0.3
VALVE ASSY., BYPASS CONTROL	
SOLENOID	0.4
DIAPHRAGM, CONTROL VALVE .....	0.5

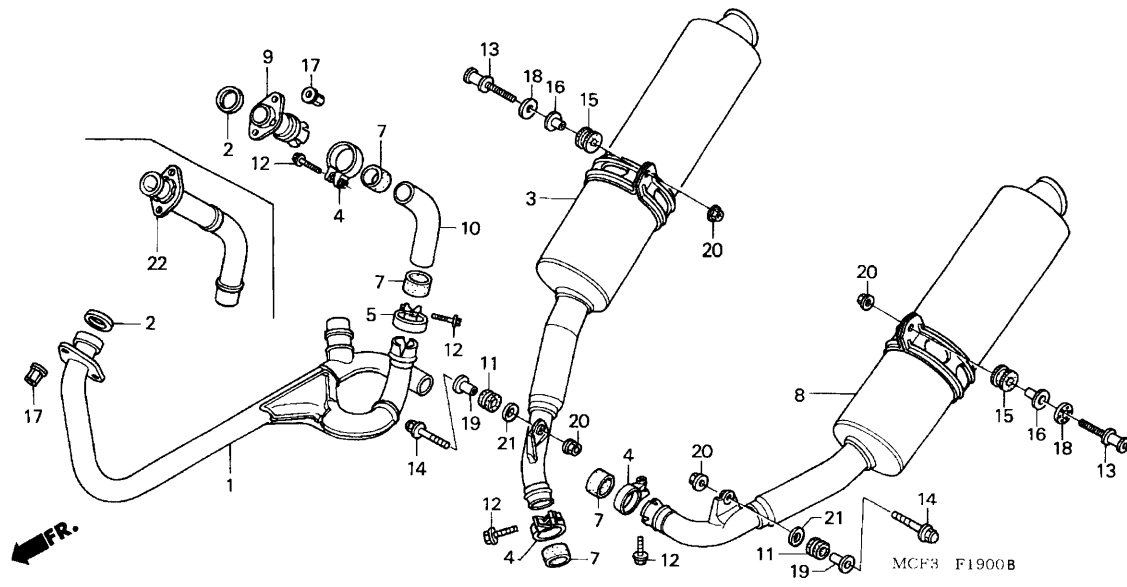
Ref. No.	Part No.	Description	Reqd. QTY		Serial No.	Parts catalogue code
			VTR1000SP			
			Y	1	2	
1	17238-MCF-000	DIAPHRAGM, CONTROL VALVE .....	-	-	1	
2	17414-PC6-660	JOINT, TWO WAY (3.5) .....	-	-	2	
3	36620-MCF-000	TANK ASSY., VACUUM .....	-	-	1	
4	36163-PV0-004	VALVE ASSY., BYPASS CONTROL				
		SOLENOID	-	-	1	
5	36164-MCF-000	HOSE, SOLENOID VALVE .....	-	-	1	
6	36166-MCF-D30	TUBE, SOLENOID VALVE .....	-	-	1	
7	50313-MCF-000	STAY, VACUUM TANK .....	-	-	1	----- CM
	50313-MCF-D00	.....	-	-	1	----- E,ED,F,U
8	64533-MCF-000	COVER, DIAPHRAGM .....	-	-	1	----- CM
9	93401-05020-07	BOLT-WASHER, 5X20 .....	-	-	1	
10	94050-05070	NUT, FLANGE, 5MM .....	-	-	1	
11	94050-06070	NUT, FLANGE, 6MM .....	-	-	1	
12	95005-35170-20	TUBE, 3.5X170(95005-35001-20M)	-	-	1	
13	95005-35500-10	TUBE, 3.5X500(95005-35001-10M)	-	-	1	
14	95005-35730-10	TUBE, 3.5X730(95005-35001-10M)	-	-	1	
15	96001-06014-07	BOLT, FLANGE, 6X14 .....	-	-	1	

3

# F-19

# EXHAUST MUFFLER

J 2



Service item	F.R.T.
MUFFLER ASSY., L. EX. ....	0.2
(ADD 0.1 FOR EACH.)	
.MUFFLER COMP., R. EX.	
PIPE COMP., EX. ....	0.7
PIPE A, RR. EX. ....	0.8

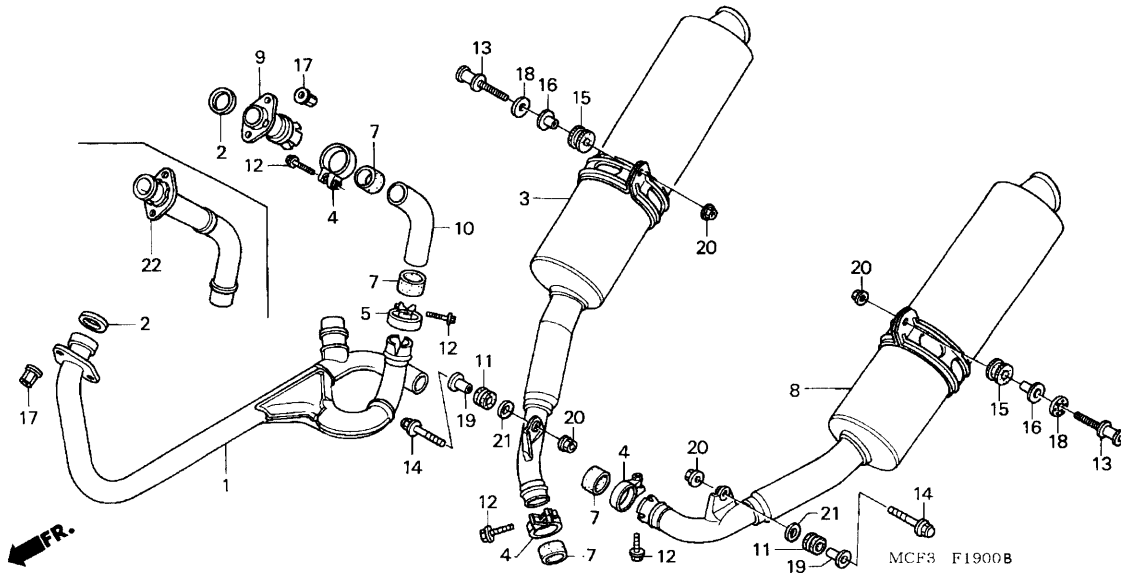
Ref. No.	Part No.	Description	Reqd. QTY			Serial No.	Parts catalogue code
			VTR1000SP	Y	1		
1	18150-MCF-003	PIPE COMP., EX. ....	1	1	-		
	18150-MCF-D31	.....	-	-	1		
2	18292-MCF-003	GASKET, EX. PIPE .....	2	2	-		
	18292-MCF-D30	.....	-	-	2		
3	18300-MCF-003	MUFFLER COMP., R. EX. ....	1	1	-		
	18300-MCF-D31	.....	-	-	1		
4	18375-MCF-003	BAND, R. RR. MUFFLER .....	3	3	-		
	18375-MCF-D30	.....	-	-	2		
5	18376-MCF-003	BAND, L. RR. MUFFLER .....	1	1	-		
	18376-MCF-D30	.....	-	-	1		
7	18393-MCF-003	PACKING, RR. EX. ....	4	4	3		
8	18400-MCF-003	MUFFLER ASSY., L. EX. ....	1	1	-		
	18400-MCF-D31	.....	-	-	1		
9	18431-MCF-003	PIPE A, RR. EX. ....	1	1	-		
10	18432-MCF-003	PIPE B, RR. EX. ....	1	1	-		
11	80103-MG2-000	CUSHION, RR. FENDER .....	2	2	2		
12	90103-KCM-620	BOLT, FLANGE, 8X35 .....	4	4	3		
13	90117-MCF-000	BOLT, HOOK, 8X36 .....	2	2	2		
14	90136-MBB-000	BOLT, SOCKET, 8X32 .....	2	2	2		
15	90201-MBB-000	CUSHION, EX. PIPE MOUNTING ..	2	2	2		
16	90202-MBB-000	COLLAR, 8X18 .....	2	2	2		
17	90304-MM5-000	NUT, FLANGE, 7MM .....	4	4	4		
18	90514-MAT-000	WASHER, SPECIAL, 8MM .....	2	2	2		
19	80101-KB7-600	COLLAR, 8X12 .....	2	2	2		
20	94050-08000	NUT, FLANGE, 8MM .....	4	4	4		

3

F-19

EXHAUST MUFFLER

J 3



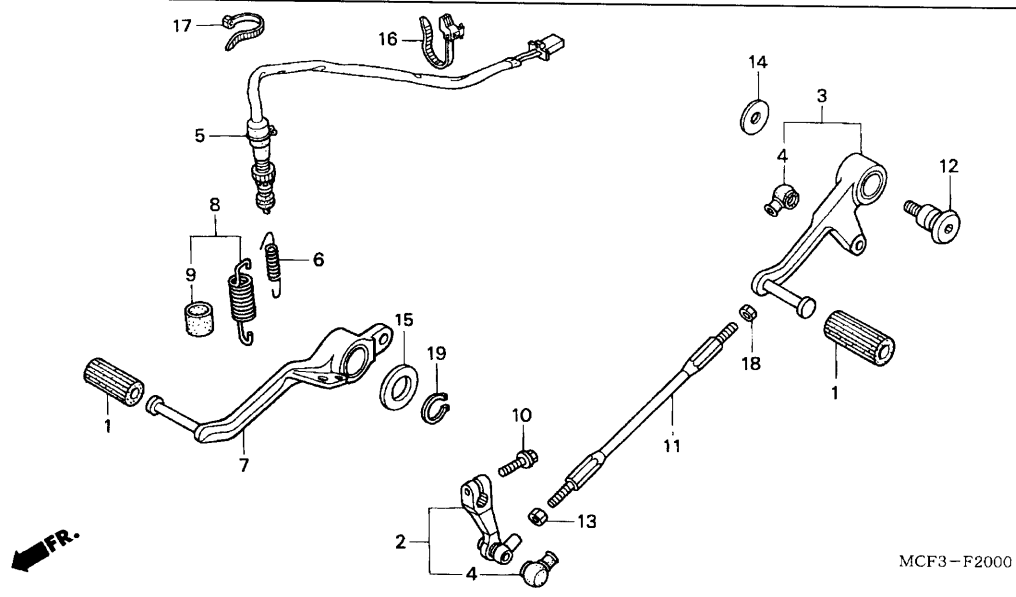
Ref. No.	Part No.	Description	Reqd. QTY		Serial No.	Parts catalogue code
			VTR1000SP			
21	94103-08700	WASHER, PLAIN, 8MM .....	2	2	-	
	94101-08700	.....	-	-	2	
22	18430-MCF-D31	PIPE, RR. EX. ....	-	-	1	

3

F-20

PEDAL

J 4



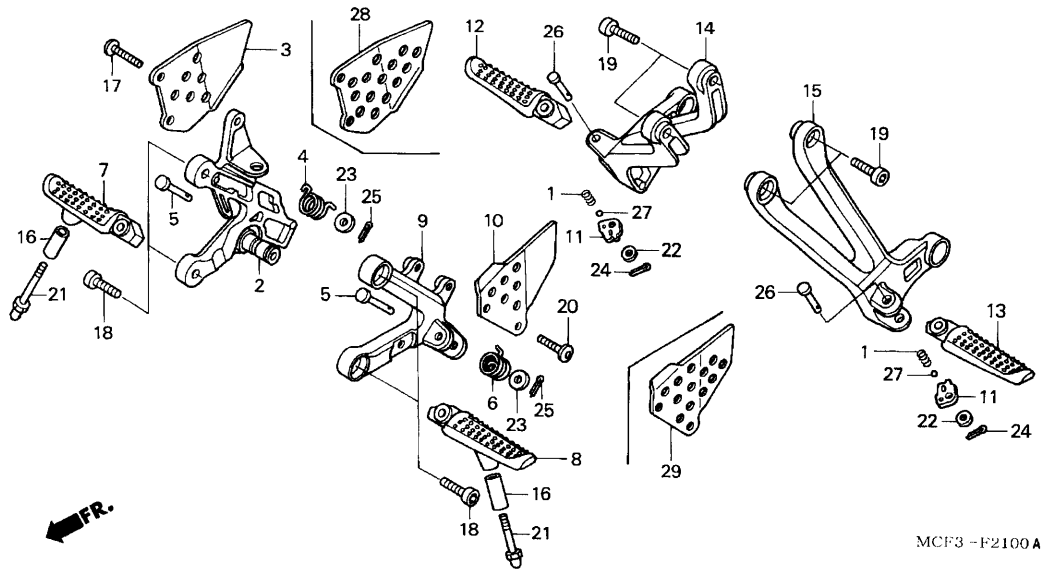
Service item	F.R.T.
ARM COMP., GEAR CHANGE	0.1
.BAR, CHANGE	
.PEDAL COMP., GEAR CHANGE (INC. RELATIVE PART)	
.SPRING SET, BRAKE PEDAL	
PEDAL, RR. BRAKE	0.2
.SWITCH ASSY., RR. STOP	

Ref. No.	Part No.	Description	Reqd. QTY			Serial No.	Parts catalogue code
			VTR1000SP	Y	1		
1	24705-MR7-000	RUBBER, GEAR CHANGE PEDAL	2	2	2		
2	24710-MCF-000	ARM COMP., GEAR CHANGE	1	1	1		
3	24720-MCF-000	PEDAL COMP., GEAR CHANGE	1	1	1		
4	24724-422-000	COVER, DUST	2	2	2		
5	35350-MV9-000	SWITCH ASSY., RR. STOP	1	1	1		
6	35357-KCT-690	SPRING, STOP SWITCH	1	1	1		
7	46500-MCF-000	PEDAL, RR. BRAKE	1	1	1		
8	46513-MBB-000	SPRING SET, BRAKE PEDAL	1	1	1		
9	46515-MN1-670	TUBE, BRAKE PEDAL SPRING	1	1	1		
10	90051-KS7-830	BOLT, FLANGE, 6X20	1	1	1		
11	90065-MCF-000	BAR, CHANGE	1	-	-	----- YM000301 CM	
			1	-	-	----- YM000431 F	
			1	-	-	----- YM005757 E,ED	
	90065-MCF-010		1	-	-	----- U	
			1	-	-	YM000302 ----- CM	
			1	-	-	YM000432 ----- F	
			1	-	-	YM005758 ----- E,ED	
			-	1	1		
12	90113-MCF-000	BOLT, CHANGE PIVOT	1	1	1		
13	90201-700-000	NUT, GOVERNOR ARM FIXING	1	1	1		
14	90524-MCF-000	WASHER, CHANGE PEDAL PIVOT	1	1	1		
15	90557-230-000	WASHER, 15.2X25	1	1	1		
16	90651-KV6-003	BAND, WIRE	1	1	1		
17	90652-KT1-771	BAND, WIRE (BLACK)	1	1	1		
18	94002-06020-0S	NUT, HEX., 6MM	1	1	1		
19	94511-15000	CIRCLIP, EXTERNAL, 15MM	1	1	1		

F-21

STEP

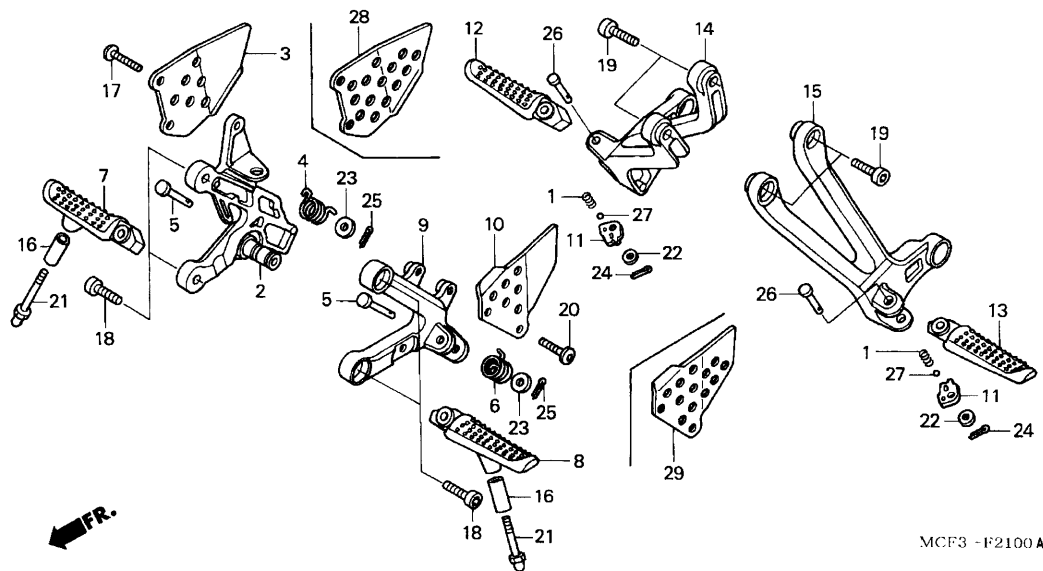
J 5



Service item	F.R.T.
ARM, L. MAIN STEP .....	0.1
(INC. RELATIVE PART)	
.ARM, R. MAIN STEP	
(INC. RELATIVE PART)	
.BAR, L. PILLION STEP	
(INC. RELATIVE PART)	
.BAR, R. PILLION STEP	
(INC. RELATIVE PART)	
.GUARD, L. STEP	
(SAME TIME FOR TWO UNITS)	
.GUARD, R. STEP	
HOLDER, L. MAIN STEP .....	0.2
HOLDER, L. PILLION STEP .....	0.3
(ADD 0.2 FOR EACH.)	
.HOLDER, R. MAIN STEP	
.HOLDER, R. PILLION STEP	

Ref. No.	Part No.	Description	Reqd. QTY			Serial No.	Parts catalogue code
			VTR1000SP	Y	1		
1	28333-300-000	SPRING, KICK STARTER STOPPER	2	2	2		
2	50600-MCF-000	HOLDER, R. MAIN STEP .....	1	-	-	----- YM000301 CM	
			1	-	-	----- YM000431 F	
			1	-	-	----- YM005757 E,ED	
	50600-MCF-010	.....	1	-	-	----- U	
			1	-	-	----- YM000302	----- CM
			1	-	-	----- YM000432	----- F
			1	-	-	----- YM005758	----- E,ED
3	50607-MCF-000	GUARD, R. STEP .....	-	1	1		
			1	-	-	----- YM000301 CM	
			1	-	-	----- YM000431 F	
			1	-	-	----- YM005757 E,ED	
	50607-MCF-010	.....	1	-	-	----- U	
			1	-	-	----- YM000302	----- CM
			1	-	-	----- YM000432	----- F
			1	-	-	----- YM005758	----- E,ED
4	50617-445-840	SPRING, R. STEP RETURN .....	1	1	1		
5	50639-MLO-010	PIN, STEP BAR .....	2	2	2		
6	50644-445-840	SPRING, L. STEP RETURN .....	1	1	1		
7	50660-MCF-000	ARM, R. MAIN STEP .....	1	1	1		
8	50665-MCF-000	ARM, L. MAIN STEP .....	1	1	1		
9	50700-MCF-000	HOLDER, L. MAIN STEP .....	1	-	-	----- YM000301 CM	
			1	-	-	----- YM000431 F	
			1	-	-	----- YM005757 E,ED	

3



MCF3 - F2100 A

Ref. No.	Part No.	Description	Reqd. QTY		Serial No.	Parts catalogue code
			VTR1000SP	Y 1 2		
(9)	50700-MCF-010	HOLDER, L. MAIN STEP .....	1	-	-	----- U ----- CM ----- F ----- E,ED
10	50707-MCF-000	GUARD, L. STEP .....	1	-	-	----- YM000301 CM ----- YM000431 F ----- YM005757 E,ED
	50707-MCF-010	.....	1	-	-	----- U ----- YM000302 CM ----- YM000432 F ----- YM005758 E,ED
			-	1	-	
11	50718-KT7-761	PLATE, PILLION STEP CLICK ...	2	2	2	
12	50720-KT7-761	BAR, R. PILLION STEP .....	1	1	1	
13	50730-KT7-761	BAR, L. PILLION STEP .....	1	1	1	
14	50750-MCF-000	HOLDER, R. PILLION STEP .....	1	-	-	----- YM000072 CM ----- YM000691 F ----- YM005757 E,ED
	50750-MCF-010	.....	1	-	-	----- U ----- YM000073 CM ----- YM000692 F ----- YM005758 E,ED
			-	1	1	
15	50760-MCF-000	HOLDER, L. PILLION STEP .....	1	-	-	----- YM000072 CM ----- YM000691 F ----- YM005757 E,ED

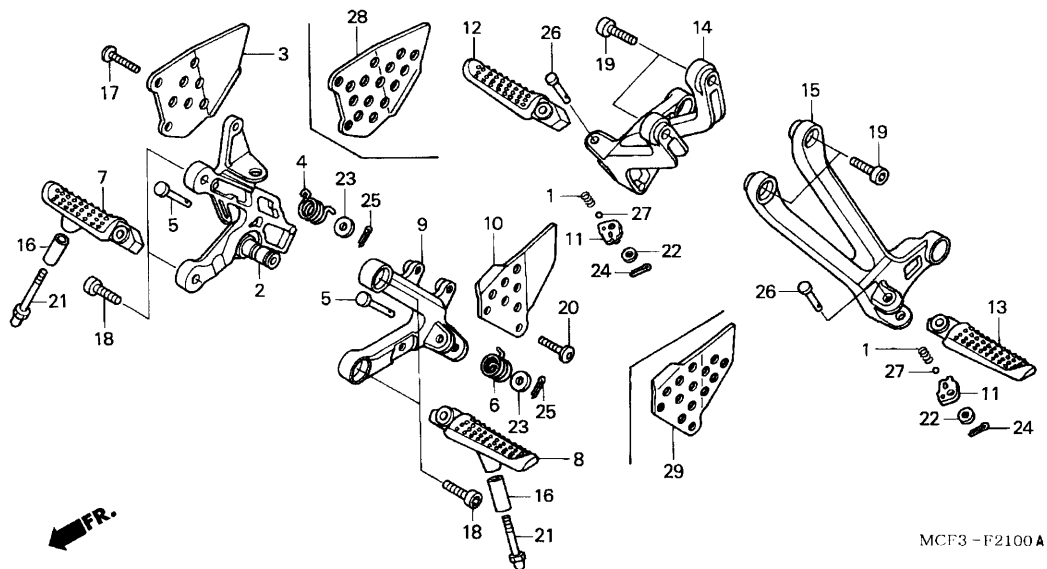
3



F-21

STEP

J 7



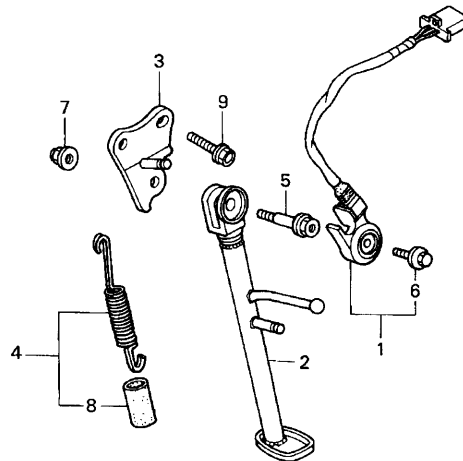
Ref. No.	Part No.	Description	Reqd. QTY			Serial No.	Parts catalogue code
			VTR1000SP	Y	1		
15)	50760-MCF-010	HOLDER, L. PILLION STEP .....	1	-	-	----- U	
			1	-	-	YMQ00073	----- CM
			1	-	-	YMQ00692	----- F
			1	-	-	YMQ05758	----- E,ED
			-	1	1		
16	51486-MCF-000	COLLAR, STEP LOWER .....	2	-	2		
	51486-MCF-D00	.....	-	2	-		
17	90085-MBW-000	BOLT, SPECIAL, 6X25 .....	2	2	2		
18	90105-MBW-000	BOLT, SOCKET, 8X25 .....	4	4	4		
19	90107-MCF-000	BOLT, SOCKET, 8X21 .....	4	4	4		
20	90118-MR1-000	SCREW, PAN, 6X14 .....	2	2	2		
21	90176-MCF-000	BOLT, SPECIAL CAP, 6MM .....	2	2	2		
22	94101-06000	WASHER, PLAIN, 6MM .....	2	2	2		
23	94102-08000	WASHER, PLAIN, 8MM .....	2	2	2		
24	94201-16120	PIN, SPLIT, 1.6X12 .....	2	2	2		
25	94201-20150	PIN, SPLIT, 2.0X15 .....	2	2	2		
26	95015-83000	PIN C, PILLION STEP .....	2	2	2		
27	96211-08000	BALL, STEEL, #8 (1/4) .....	2	2	2		
28	50607-MCF-D30	GUARD, R. STEP .....	-	-	1		
29	50707-MCF-D30	GUARD, L. STEP .....	-	-	1		

3

F-22

STAND

J 8



MCF3- F2200A

Service item	F.R.T.
SPRING ASSY., SIDE STAND .....	0.1
BAR COMP., SIDE STAND .....	0.2
.BRACKET COMP., SIDE STAND .....	0.4
SWITCH SET, SIDE STAND .....	0.4

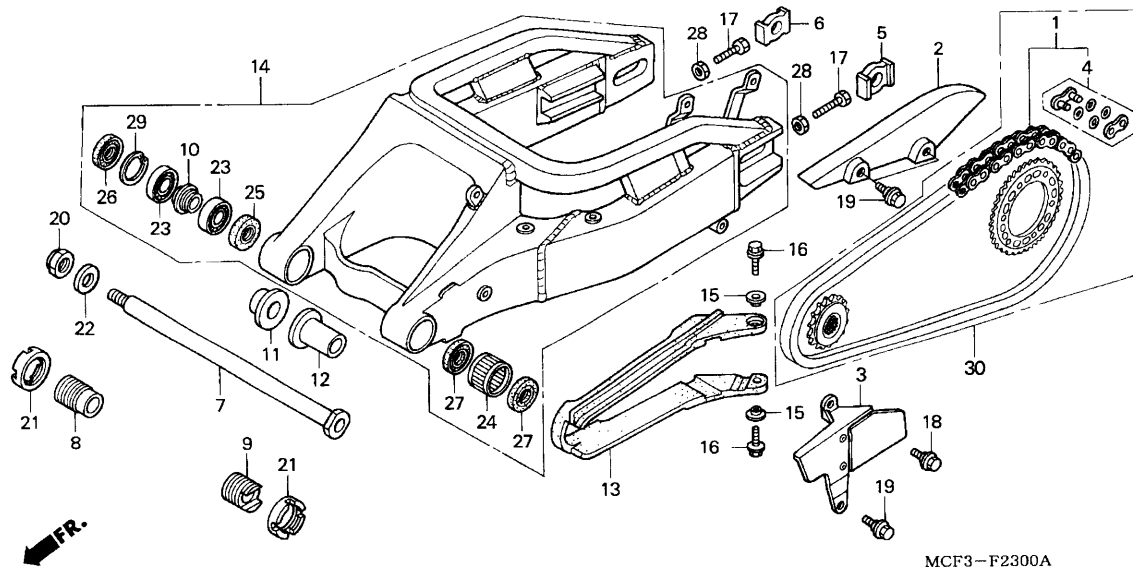
Ref. No.	Part No.	Description	Reqd. QTY			Serial No.	Parts catalogue code
			VTR1000SP	Y	1		
1	35700-MBB-305	SWITCH SET, SIDE STAND .....	1	-	-		
	35700-MCF-305	.....	-	1	1		
2	50530-MCF-000	BAR COMP., SIDE STAND .....	1	1	1		
3	50535-MCF-000	BRACKET COMP., SIDE STAND ...	1	1	1		
4	50540-MBB-000	SPRING ASSY., SIDE STAND ....	1	1	1		
5	90108-MK6-670	BOLT, SIDE STAND PIVOT .....	1	1	1		
6	90147-MK6-671	BOLT, SPECIAL, 6X16 .....	1	1	1		
7	90203-MF9-710	NUT, SIDE STAND .....	1	1	1		
8	95003-45006-10	TUBE, VINYL, 14X18X60 (95003-45001-10M)	1	1	1		
9	96400-10032-07	BOLT, FLANGE, 10X32 .....	2	2	2		

3

# F-23

# SWINGARM(VTR1000SPY-1)

J 9



Service item	F.R.T.
CASE A, DRIVE CHAIN .....	0.1
.CASE B, DRIVE CHAIN .....	
CHAIN SET, DRIVE .....	0.5
SLIDER, CHAIN .....	0.6
CHAIN KIT, DRIVE .....	1.2
SWINGARM SUB ASSY. ....	1.7
.BEARING, NEEDLE, 32X42X30 ....	1.9
.BEARING, RADIAL BALL, 6905RS (SAME TIME FOR TWO UNITS)	

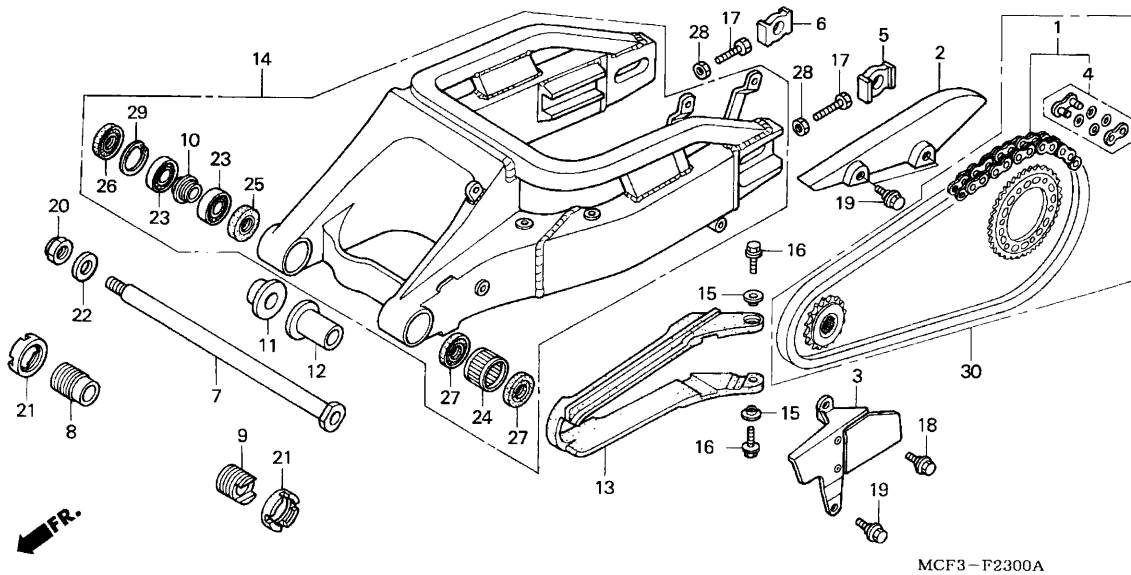
Ref. No.	Part No.	Description	Reqd. QTY		Serial No.	Parts catalogue code
			VTR1000SP	Y 1 2		
1	06405-MCF-P00	CHAIN SET, DRIVE (DAIDO) (DID50 102-120L)	1	1	-	
	06405-MCF-P10	(STANDARD LINK 104L) CHAIN SET, DRIVE (RK EXCEL) (RK50 102-120L)	1	1	-	
		(STANDARD LINK 104L)	1	1	-	
2	40510-KY2-700	CASE A, DRIVE CHAIN .....	1	1	-	
3	40520-MW0-000	CASE B, DRIVE CHAIN .....	1	1	-	
4	40545-MCF-003	JOINT, DRIVE CHAIN (DAIDO) ..	1	1	-	
	40545-MCF-005	JOINT, DRIVE CHAIN (RK EXCEL)	1	1	-	
5	42305-MCF-000	COLLAR, RR. WHEEL AXLE L. ...	1	1	-	
6	42306-MCF-000	COLLAR, RR. WHEEL AXLE R. ...	1	1	-	
7	52101-MCF-000	BOLT, SWINGARM PIVOT .....	1	1	-	
8	52108-MCF-000	BOLT, R. SWINGARM PIVOT ADJUSTING	1	-	-	
	52108-MCF-D00	.....	-	1	-	
9	52109-MCF-000	BOLT, L. SWINGARM PIVOT ADJUSTING	1	-	-	
	52109-MCF-D00	.....	-	1	-	
10	52141-MCF-000	COLLAR, SWINGARM PIVOT CENTER DISTANCE	1	1	-	
11	52142-MCF-000	COLLAR, R. SWINGARM PIVOT DISTANCE	1	1	-	
12	52143-MCF-000	COLLAR, L. PIVOT DISTANCE ...	1	1	-	
13	52170-MCF-000	SLIDER, CHAIN .....	1	1	-	
14	52200-MCF-000	SWINGARM SUB ASSY. ....	1	-	-	----- E,ED,F,U
	52200-MCF-670	.....	1	-	-	----- CM

3

F-23

SWINGARM(VTR1000SPY-1)

J10



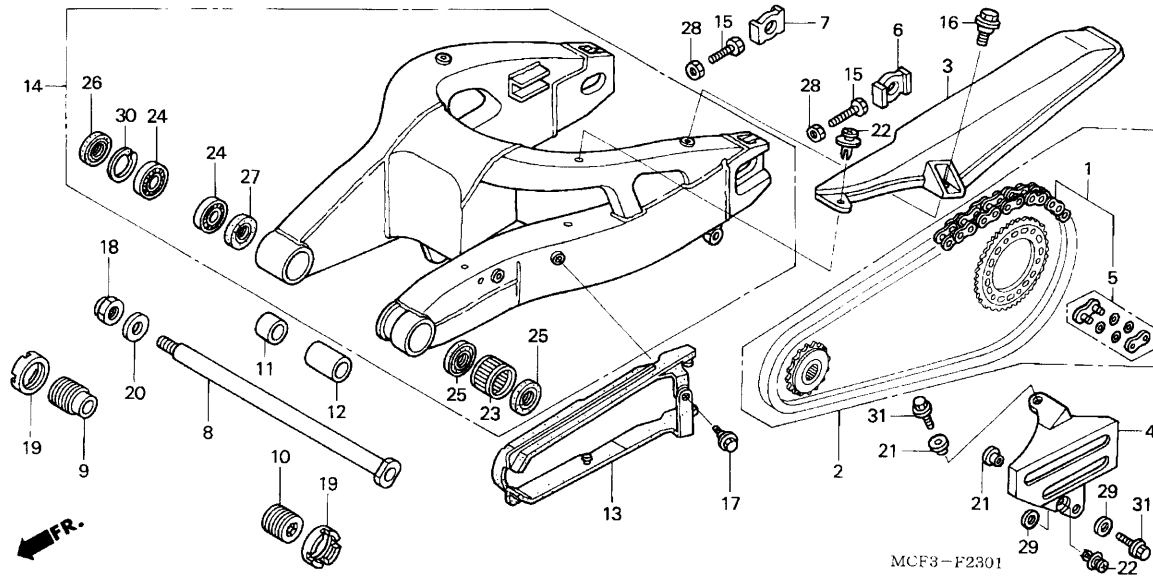
MCF3-F2300A

Ref. No.	Part No.	Description	Reqd. QTY		Serial No.	Parts catalogue code
			VTR1000SP			
			Y	1 2		
14)	52200-MCF-A00	SWINGARM SUB ASSY. ....	-	1	-	----- CM
	52200-MCF-D00	.....	-	1	-	----- E,ED,F,U
15	81312-GJ5-000	COLLAR .....	2	2	-	
16	90105-MY9-000	BOLT, FLANGE, 6X18 .....	2	2	-	
17	90106-KS6-700	BOLT, HEX., 8X49 .....	2	-	-	
	90106-MCF-D00	BOLT, HEX., 8X50 .....	-	2	-	
18	90113-MAS-E00	BOLT, FLANGE, 6MM .....	1	1	-	
19	90113-MW0-000	BOLT, FLANGE, 6MM .....	3	3	-	
20	90305-MAZ-000	NUT, U, 22MM .....	1	-	-	
	90305-MCF-D00	.....	-	1	-	
21	90354-MCF-000	NUT, LOCK, 36MM .....	2	-	-	
	90354-MCF-D00	.....	-	2	-	
22	90401-MAZ-000	WASHER, 22X38X2.5 .....	1	1	-	
23	91052-KZ4-J21	BEARING, RADIAL BALL, 6905RS .....	2	2	-	
24	91071-MCF-003	BEARING, NEEDLE, 32X42X30 .....	1	1	-	
25	91251-MCF-003	DUST SEAL, 31X40X5 .....	1	1	-	
26	91252-MCF-003	DUST SEAL, 32X45X5 .....	1	1	-	
27	91253-MCF-003	DUST SEAL, 32X42X5 .....	2	2	-	
28	94001-08000-OS	NUT, HEX., 8MM .....	2	2	-	
29	94520-45000	CIRCLIP, INTERNAL, 45MM .....	1	1	-	
30	06406-MCF-000	CHAIN KIT, DRIVE .....	1	1	-	----- E,ED,F
		(STANDARD LINK 104L)				

# F-23-1

# SWINGARM(VTR1000SP2)

J11



Service item	F.R.T.
CASE A, DRIVE CHAIN .....	0.1
.CASE B, DRIVE CHAIN	
CHAIN SET, DRIVE .....	0.5
SLIDER, CHAIN .....	0.6
CHAIN KIT, DRIVE .....	1.2
SWINGARM SUB ASSY. ....	1.7
BEARING, NEEDLE .....	1.9
.BEARING, RADIAL BALL, 20X37X9 (SAME TIME FOR TWO UNITS)	

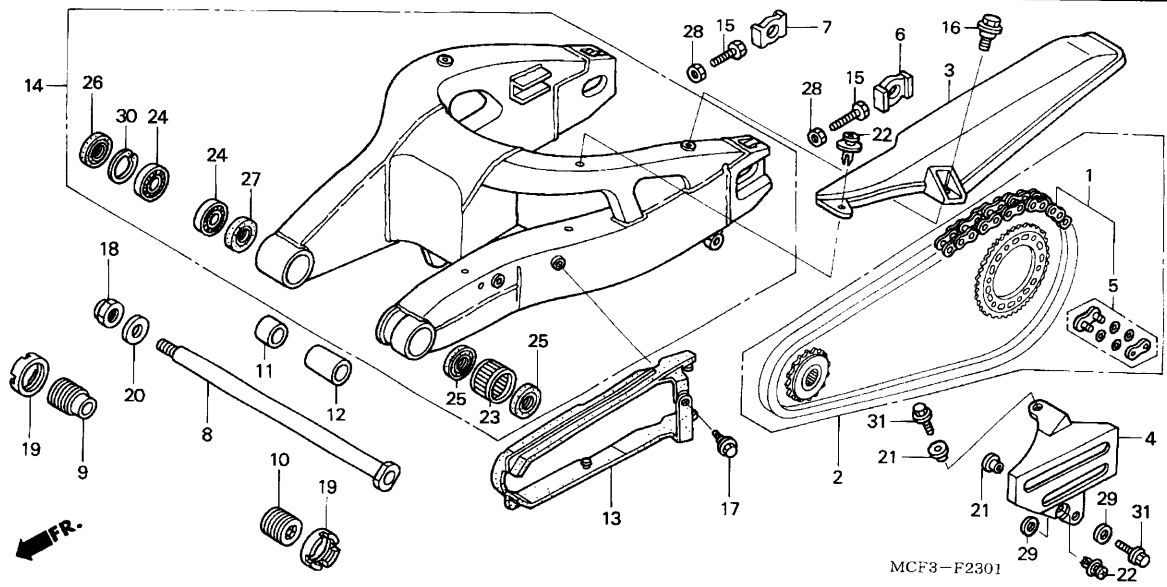
Ref. No.	Part No.	Description	Reqd. QTY		Serial No.	Parts catalogue code
			VTR1000SP			
1	06405-MCF-P00	CHAIN SET, DRIVE (DAIDO) (DID50 102-120L)	-	-	1	
	06405-MCF-P10	(STANDARD LINK 106L) CHAIN SET, DRIVE (RK EXCEL) (RK50 102-120L)	-	-	1	
	06405-MCJ-000	(STANDARD LINK 106L)	-	-	1	----- E,ED,F
2	06406-MCF-000	(STANDARD LINK 106L) CHAIN KIT, DRIVE .....	-	-	1	----- CM,U
3	40510-MCJ-000	(STANDARD LINK 106L) CASE A, DRIVE CHAIN .....	-	-	1	----- E,ED,F
4	40520-MCF-D30	CASE B, DRIVE CHAIN .....	-	-	1	
5	40545-MCF-003	JOINT, DRIVE CHAIN (DAIDO) ..	-	-	1	
	40545-MCF-005	JOINT, DRIVE CHAIN (RK EXCEL)	-	-	1	----- E,ED,F
	40545-MCJ-005	.....	-	-	1	----- CM,U
6	42305-MCF-000	COLLAR, RR. WHEEL AXLE L. ....	-	-	1	
7	42306-MCF-000	COLLAR, RR. WHEEL AXLE R. ....	-	-	1	
8	52101-MCF-D30	BOLT, SWINGARM PIVOT .....	-	-	1	
9	52108-MCF-D30	BOLT, R. SWINGARM PIVOT	-	-	1	
10	52109-MCF-D30	ADJUSTING BOLT, L. SWINGARM PIVOT	-	-	1	
		ADJUSTING	-	-	1	
11	52142-MCF-D30	COLLAR, R. SWINGARM PIVOT	-	-	1	
		DISTANCE	-	-	1	
12	52143-MCF-D30	COLLAR, L. PIVOT DISTANCE ....	-	-	1	
13	52170-MCF-D30	SLIDER, CHAIN .....	-	-	1	
14	52200-MCF-A20	SWINGARM SUB ASSY. ....	-	-	1	----- CM

3

F-23-1

SWINGARM(VTR1000SP2)

J12



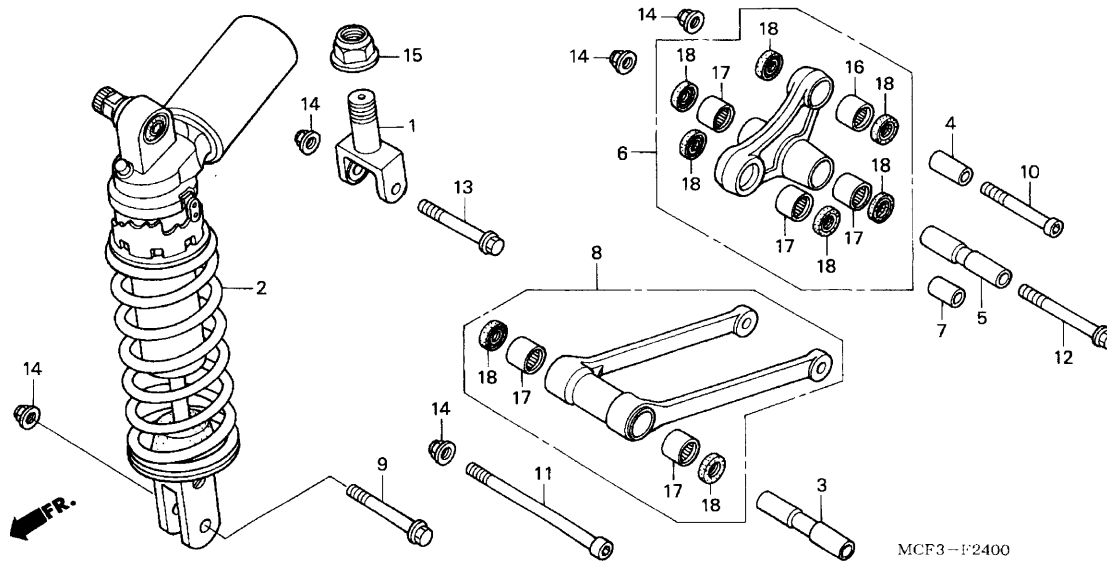
Ref. No.	Part No.	Description	Reqd. QTY		Serial No.	Parts catalogue code
			VTR1000SP			
14)	52200-MCF-D30	SWINGARM SUB ASSY. ....	-	-	1	----- E,ED,F,U
15	90106-MCF-D00	BOLT, HEX., 8X50 .....	-	-	2	
16	90113-MAS-E00	BOLT, FLANGE, 6MM .....	-	-	1	
17	90130-MCJ-750	BOLT, CHAIN SLIDER .....	-	-	1	
18	90305-MBB-D40	NUT, U, 18MM .....	-	-	1	
19	90354-MCF-D00	NUT, LOCK, 36MM .....	-	-	2	
20	90401-KZ4-890	WASHER, 18X32X2 .....	-	-	1	
21	90402-GB0-900	WASHER, NUMBER BRACKET SETTING	-	-	2	
22	90683-GR1-003	CLIP, BODY COVER .....	-	-	2	
23	91071-MR7-003	BEARING, NEEDLE .....	-	-	1	
24	91072-MR7-003	BEARING, RADIAL BALL, 20X37X9	-	-	2	
25	91202-MR7-003	DUST SEAL, 28X37X4 .....	-	-	2	
26	91214-MR7-003	DUST SEAL, 26X37X5 .....	-	-	1	
27	91261-KZ3-861	DUST SEAL, 27X34X4 .....	-	-	1	
28	94001-08000-0S	NUT, HEX., 8MM .....	-	-	2	
29	94103-06700	WASHER, PLAIN, 6MM .....	-	-	2	
30	94520-37000	CIRCLIP, INTERNAL, 37MM .....	-	-	1	
31	96001-06018-07	BOLT, FLANGE, 6X18 .....	-	-	2	

3

F-24

REAR CUSHION (VTR1000SPY-1)

J13



Service item	F.R.T.
COLLAR, CONNECTING ROD PIVOT	0.6
.ROD SUB ASSY., CUSHION	
CONNECTING	
ARM SUB ASSY., CUSHION	0.7
BEARING, NEEDLE, 17X24X17	0.8
(ARM., CUSHION SIDE 0.9)	
(ADD 0.1 FOR EACH.)	
.BRACKET COMP., RR. CUSHION	
UPPER	
.CUSHION ASSY., RR.	
BEARING, NEEDLE	0.9

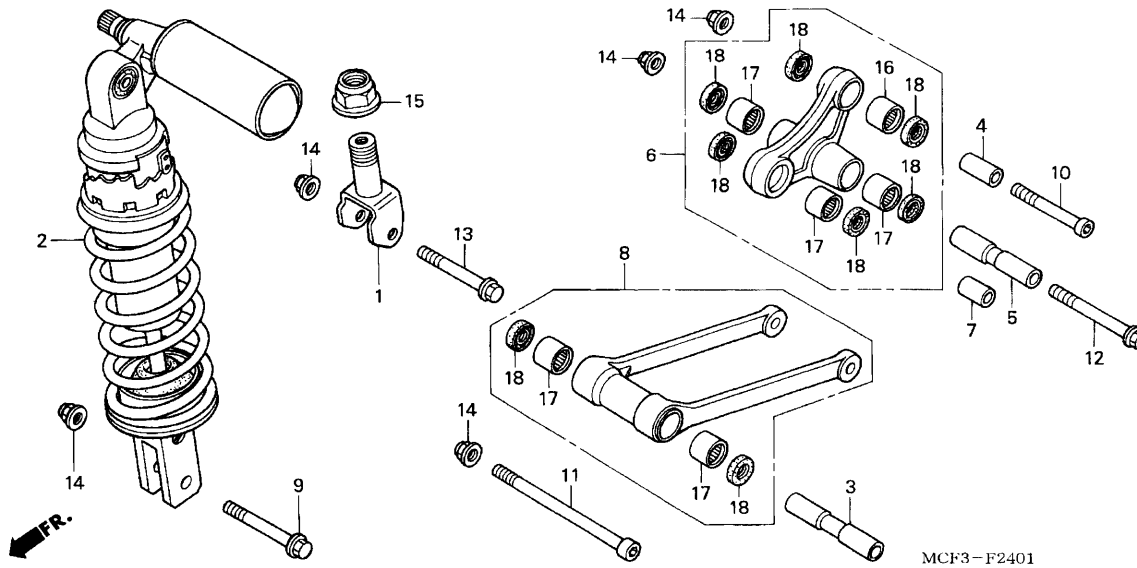
Ref. No.	Part No.	Description	Reqd. QTY	Serial No.	Parts catalogue code
			VTR1000SP		
			Y 1 2		
1	50233-MCF-000	BRACKET COMP., RR. CUSHION	1	1	-
		UPPER	1	-	-
2	52400-MCF-003	CUSHION ASSY., RR. ....	1	-	-
	52400-MCF-D01	.....	-	1	----- CM,E,ED,U
	52400-MCF-F01	.....	-	1	----- F
3	52462-MLO-000	COLLAR, CONNECTING ROD PIVOT	1	1	-
4	52463-KV3-000	COLLAR, CUSHION ARM	1	1	-
5	52463-MR7-000	COLLAR, CUSHION ARM	1	1	-
6	52465-MCF-000	ARM SUB ASSY., CUSHION	1	1	-
7	52465-MY1-000	COLLAR c, CUSHION ARM	1	1	-
8	52475-MCF-000	ROD SUB ASSY., CUSHION	1	1	-
		CONNECTING	1	1	-
9	90107-MR8-000	BOLT, FLANGE, 10X57	1	1	-
10	90110-MR7-000	BOLT, SOCKET, 10X70	1	1	-
11	90111-MR7-000	BOLT, SOCKET, 10X130	1	1	-
12	90115-MR7-003	BOLT, FLANGE, 10X113	1	1	-
13	90154-HA8-000	BOLT, FLANGE, 10X52	1	1	-
14	90304-GE8-003	NUT, U, 10MM	5	5	-
15	90305-MCO-003	NUT, RR. AXLE U, 16MM	1	1	-
16	91071-KV3-005	BEARING, NEEDLE (KOYO)	1	1	-
17	91071-MY1-005	BEARING, NEEDLE, 17X24X17	5	5	-
18	91262-KV3-831	DUST SEAL, 17X24X5(ARAI)	8	8	-

3

F-24-1

REAR CUSHION (VTR1000SP2)

J14



Service item	F.R.T.
COLLAR, CONNECTING ROD PIVOT	0.6
.ROD SUB ASSY., CUSHION	
CONNECTING	
ARM SUB ASSY., CUSHION	0.7
BEARING, NEEDLE, 17X24X17	0.8
(ARM, CUSHION SIDE 0.9)	
(ADD 0.1 FOR EACH.)	
.BRACKET COMP., RR. CUSHION	
UPPER	
.CUSHION ASSY., RR.	
BEARING, NEEDLE	0.9

Ref. No.	Part No.	Description	Reqd. QTY		Serial No.	Parts catalogue code
			VTR1000SP	Y 1 2		
1	50233-MCF-D30	BRACKET COMP., RR. CUSHION	-	-	1	
		UPPER	-	-	1	
2	52400-MCF-D31	CUSHION ASSY., RR. ....	-	-	1	----- CM,E,ED,U
	52400-MCF-F21	.....	-	-	1	----- F
3	52462-ML0-000	COLLAR, CONNECTING ROD PIVOT	-	-	1	
4	52463-KV3-000	COLLAR, CUSHION ARM	-	-	1	
5	52463-MR7-000	COLLAR, CUSHION ARM	-	-	1	
6	52465-MCF-D30	ARM SUB ASSY., CUSHION	-	-	1	
7	52465-MY1-000	COLLAR C, CUSHION ARM	-	-	1	
8	52475-MCF-D30	ROD SUB ASSY., CUSHION	-	-	1	
		CONNECTING	-	-	1	
9	90107-MR8-000	BOLT, FLANGE, 10X57	-	-	1	
10	90110-MR7-000	BOLT, SOCKET, 10X70	-	-	1	
11	90111-MR7-000	BOLT, SOCKET, 10X130	-	-	1	
12	90115-MR7-003	BOLT, FLANGE, 10X113	-	-	1	
13	90154-HA8-000	BOLT, FLANGE, 10X52	-	-	1	
14	90304-GE8-003	NUT, U, 10MM	-	-	5	
15	90305-MC0-003	NUT, RR. AXLE U, 16MM	-	-	1	
16	91071-KV3-005	BEARING, NEEDLE (KOYO)	-	-	1	
17	91071-MY1-005	BEARING, NEEDLE, 17X24X17	-	-	5	
18	91262-KV3-831	DUST SEAL, 17X24X5 (ARAI)	-	-	8	

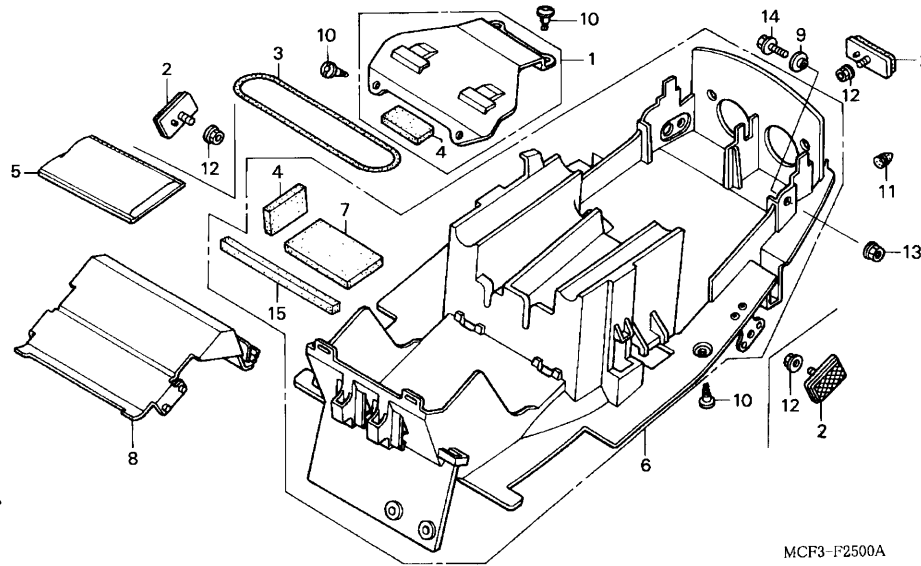
3



F-25

REAR FENDER (VTR1000SPY-1)

J15



Service item	F.R.T.
COVER, PGM-FI UNIT .....	0.1
COVER, BATTERY TRAY .....	0.2
FENDER COMP., RR. ....	0.7

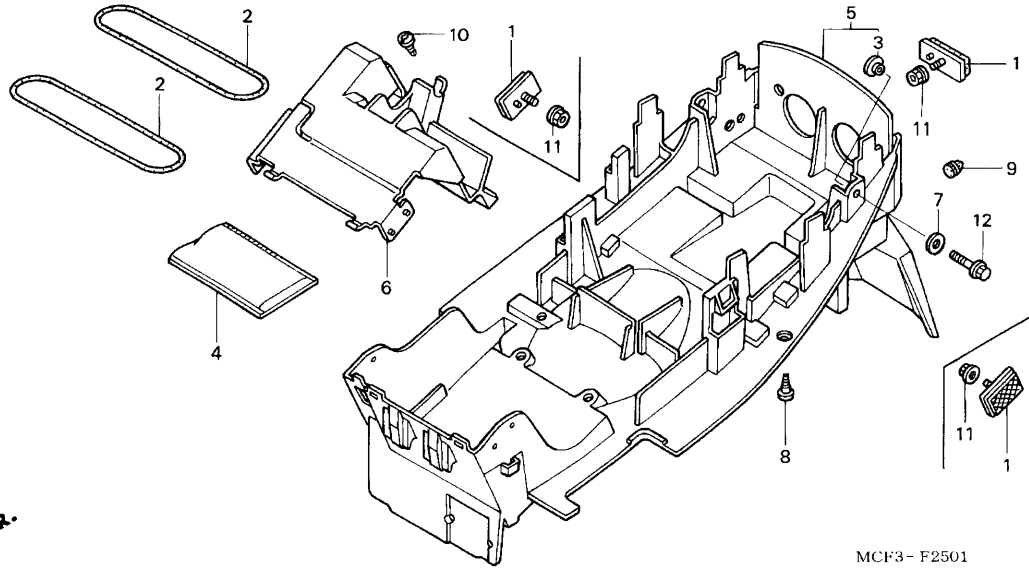
Ref. No.	Part No.	Description	Reqd. QTY		Serial No.	Parts catalogue code
			VTR1000SP			
			Y	1	2	
1	30405-MBG-000	COVER, PGM-FI UNIT .....	1	1	-	
2	33741-MS6-921	REFLECTOR, REFLEX .....	1	1	-	----- E,ED,F,U
3	50290-MZ7-000	BAND, U-LOCK .....	3	3	-	----- CM
4	50383-GB6-300	RUBBER, BATTERY .....	4	4	-	
5	77251-342-000	BAG, SERVICE BOOK .....	1	1	-	
6	80100-MCF-000	FENDER COMP., RR. ....	1	1	-	----- E,ED,F,U
	80100-MCF-670	.....	1	1	-	----- CM
7	80106-MBG-300	MAT, PGM-FI UNIT .....	1	1	-	
8	80110-MCF-000	COVER, BATTERY TRAY .....	1	1	-	
9	90501-MCF-000	COLLAR A .....	2	2	-	
10	90683-GAZ-003	CLIP, TRIM .....	6	6	-	
11	90899-422-610	PLUG, CONE TYPE .....	1	1	-	----- E,ED,F,U
	90899-KL8-000	PLUG, CONE .....	1	1	-	----- CM
12	94050-05070	NUT, FLANGE, 5MM .....	1	1	-	----- E,ED,F,U
			3	3	-	----- CM
13	94050-06000	NUT, FLANGE, 6MM .....	2	2	-	
14	96001-06035-00	BOLT, FLANGE, 6X35 .....	2	2	-	
15	80103-MCF-300	RUBBER, RR. FENDER .....	1	-	-	----- E,ED,F,U
			-	1	-	

3

F-25-1

REAR FENDER (VTR1000SP2)

J16



Service item	F.R.T.
COVER, BATTERY TRAY .....	0.2
FENDER COMP., RR. ....	0.7

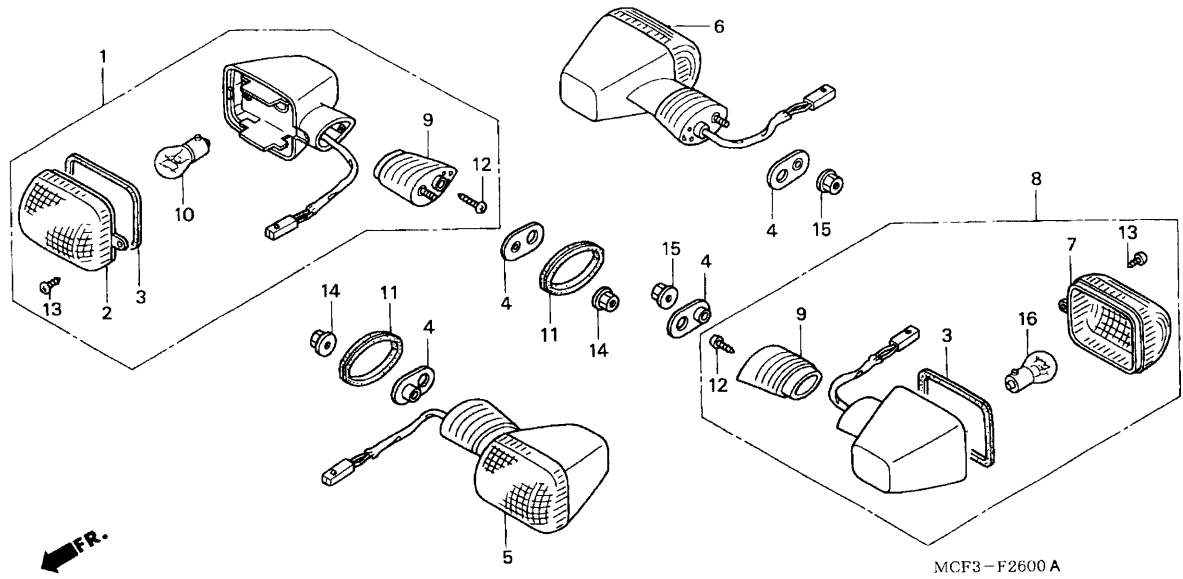
Ref. No.	Part No.	Description	Reqd. QTY		Serial No.	Parts catalogue code
			VTR1000SP	Y 1 2		
1	33741-MS6-921	REFLECTOR, REFLEX .....	-	1	----- E,ED,F,U	
2	50290-MZ7-000	BAND, U-LOCK .....	-	3	----- CM	
3	64348-086-000	WASHER, FR. COVER FIXING .....	-	2	----- E,ED,F,U	
4	77251-342-000	BAG, SERVICE BOOK .....	-	1	----- CM	
5	80100-MCF-A30	FENDER COMP., RR. ....	-	1	----- E,ED,F,U	
	80100-MCF-D30	.....	-	1	----- CM	
6	80110-MCF-D30	COVER, BATTERY TRAY .....	-	1	----- E,ED,F,U	
7	90525-428-900	WASHER, PLAIN, 6MM .....	-	2	----- CM	
8	90683-GAZ-003	CLIP, TRIM .....	-	2	----- E,ED,F,U	
9	90899-422-610	PLUG, CONE TYPE .....	-	1	----- CM	
	90899-KL8-000	PLUG, CONE .....	-	1	----- E,ED,F,U	
10	91549-MW0-790	CLIP, PANEL FIXING .....	-	3	----- CM	
11	94050-05070	NUT, FLANGE, 5MM .....	-	1	----- E,ED,F,U	
			-	3	----- CM	
12	96001-06025-07	BOLT, FLANGE, 6X25 .....	-	2	----- CM	

3

F-26

WINKER(1)

K 1



Service item	F.R.T.
BULB, WINKER .....	0.1
(WHEN SERVICING COMP. UNIT, F.R.T. IS 0.2)	
WINKER ASSY., L. FR. ....	0.2
(INC. RELATIVE PART)	
WINKER ASSY., R. FR. (INC. RELATIVE PART)	
WINKER ASSY., RR. (ADD 0.1 FOR EACH.) (INC. RELATIVE PART)	

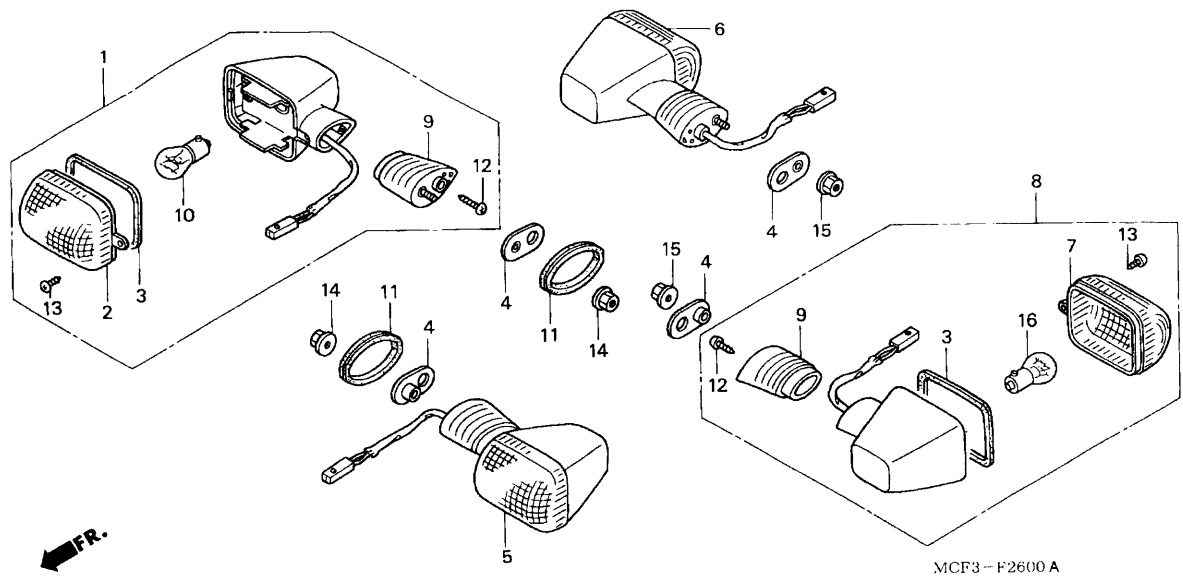
Ref. No.	Part No.	Description	Reqd. QTY		Serial No.	Parts catalogue code
			VTR1000SP	Y 1 2		
1	33400-MAS-E11	WINKER ASSY., R. FR. (12V 21W) (STANLEY)	1	1	-	----- E,ED,F,U
	33400-MAS-A11	WINKER ASSY., R. FR. (12V 23/8W)(STANLEY)	1	1	1	----- CM
2	33402-MAS-602	LENS, WINKER .....	2	2	-	----- CM
			-	-	2	----- CM
3	33407-MAS-601	PACKING, LENS .....	4	4	-	----- CM
			-	-	4	----- CM
4	33409-MWO-000	PLATE, WINKER SETTING .....	4	4	-	----- CM
			-	-	4	----- CM
5	33450-MAS-E11	WINKER ASSY., L. FR. (12V 21W) (STANLEY)	1	1	-	----- E,ED,F,U
	33450-MAS-A11	WINKER ASSY., L. FR. (12V 23/8W)(STANLEY)	1	1	1	----- CM
6	33600-MAT-E01	WINKER ASSY., R. RR. (12V 21W) (STANLEY)	1	1	-	----- E,ED,F,U
	33600-MCF-A20	WINKER ASSY., R. RR. ....	-	-	1	----- CM
	33600-MAT-A01	WINKER ASSY., R. RR. (12V 23W) (STANLEY)	1	1	-	----- CM
7	33602-MAS-602	LENS, WINKER .....	2	2	-	----- E,ED,F,U
	33402-MAS-602	.....	2	2	2	----- CM
8	33650-MAT-E01	WINKER ASSY., L. RR. (12V 21W) (STANLEY)	1	1	-	----- E,ED,F,U
	33650-MBW-671	WINKER ASSY., L. RR. (12V 23W)	-	-	1	----- CM
	33650-MAT-A01	WINKER ASSY., L. RR. (12V 23W) (STANLEY)	1	1	-	----- CM
			4	4	-	----- CM
9	33691-MAS-601	STAY, WINKER .....	-	-	4	----- CM

3

F-26

WINKER(1)

K 2



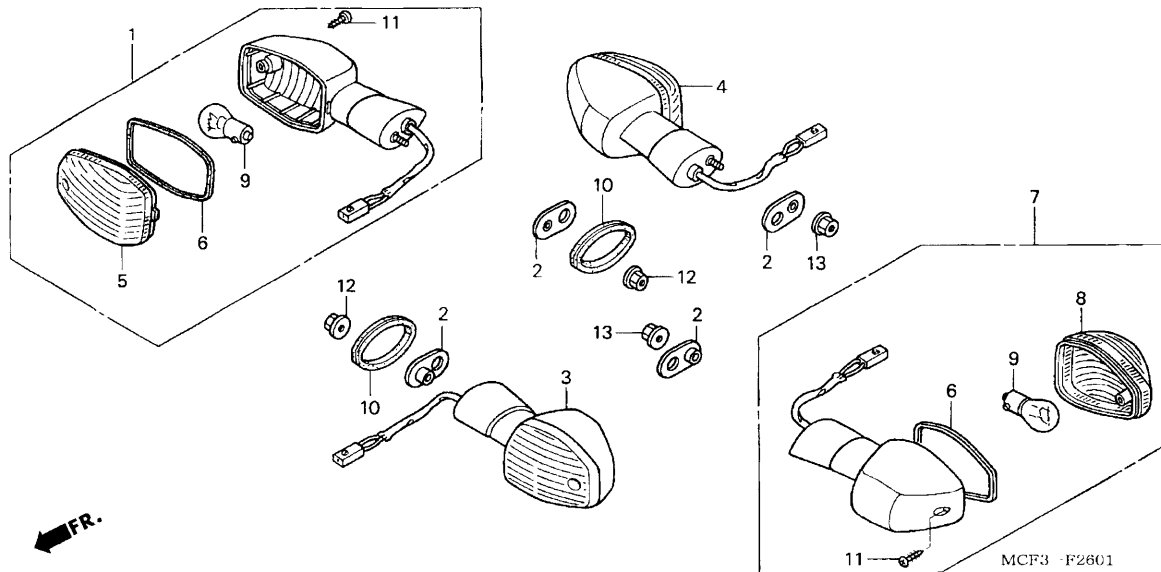
Ref. No.	Part No.	Description	Reqd. QTY			Serial No.	Parts catalogue code
			VTR1000SP	Y	1 2		
10	34905-MAS-601	BULB, WINKER (12V 21W) .....	2	2	-	-----	E,ED,F,U
	34905-MAS-671	BULB, WINKER (12V 23/8W) ....	2	2	2	-----	CM
11	64136-ML7-600	RUBBER, FR. WINKER .....	2	2	-	-----	CM
12	93901-34520	SCREW, TAPPING, 4X20 .....	4	4	-	-----	CM
13	93903-24280	SCREW, TAPPING, 4X10 .....	4	4	-	-----	CM
14	94050-06070	NUT, FLANGE, 6MM .....	2	2	-	-----	CM
15	94050-06080	NUT, FLANGE, 6MM .....	2	2	-	-----	CM
			-	-	2	-----	CM
16	34905-MAS-601	BULB, WINKER (12V 21W) .....	2	2	-	-----	E,ED,F,U
	34906-MAS-671	BULB, WINKER (12V 23W) .....	2	2	2	-----	CM

3

# F-26-1

# WINKER(2)

**K 3**



Service item	F.R.T.
BULB, WINKER .....	0.1
(WHEN SERVICING COMP. UNIT, F.R.T. IS 0.2)	
WINKER ASSY., L. FR. ....	0.2
(INC. RELATIVE PART)	
.WINKER ASSY., R. FR. (INC. RELATIVE PART)	
.WINKER ASSY., RR. (ADD 0.1 FOR EACH.) (INC. RELATIVE PART)	

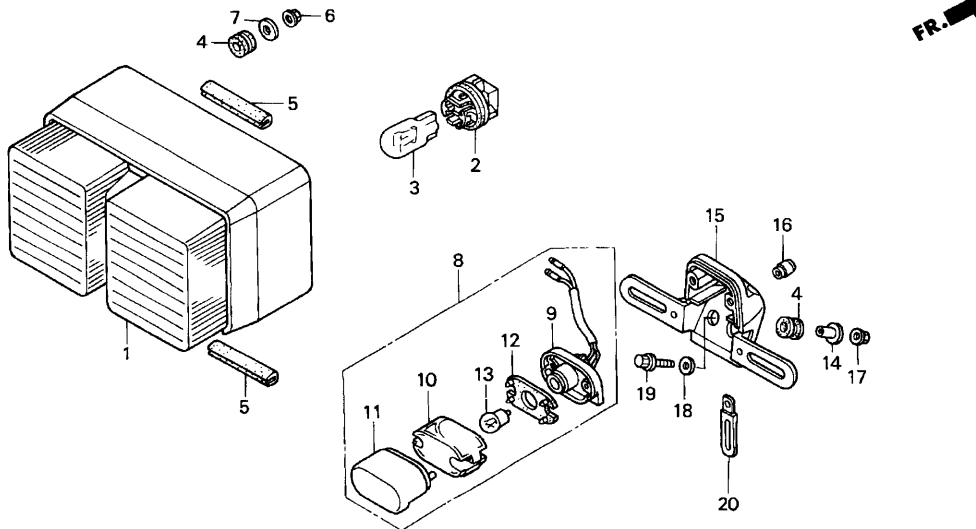
Ref. No.	Part No.	Description	Reqd. QTY		Serial No.	Parts catalogue code
			VTR1000SP	Y 1 2		
1	33400-MCF-D30	WINKER ASSY., R. FR. ....	-	-	1	----- E,ED,F,U
2	33409-MW0-000	PLATE, WINKER SETTING .....	-	-	4	----- E,ED,F,U
3	33450-MCF-D30	WINKER ASSY., L. FR. ....	-	-	1	----- E,ED,F,U
4	33600-MCF-D30	WINKER ASSY., R. RR. ....	-	-	1	----- E,ED,F,U
5	33602-MAT-E21	LENS, R. WINKER .....	-	-	2	----- E,ED,F,U
6	33607-MAT-E21	PACKING, LENS .....	-	-	4	----- E,ED,F,U
7	33650-MCF-D30	WINKER ASSY., L. RR. ....	-	-	1	----- E,ED,F,U
8	33652-MAT-E21	LENS, L. WINKER .....	-	-	2	----- E,ED,F,U
9	34905-MAS-601	BULB, WINKER (12V 21W) .....	-	-	4	----- E,ED,F,U
10	64136-ML7-600	RUBBER, FR. WINKER .....	-	-	2	----- E,ED,F,U
11	93911-24380	SCREW, TAPPING, 4X14 .....	-	-	4	----- E,ED,F,U
12	94050-06070	NUT, FLANGE, 6MM .....	-	-	2	----- E,ED,F,U
13	94050-06080	NUT, FLANGE, 6MM .....	-	-	2	----- E,ED,F,U

**3**

F-27

TAILLIGHT

K 4



MCF3-F2700B

Service item	F.R.T.
BULB, WEDGE BASE .....	0.1
(SAME TIME FOR TWO UNITS)	
.SOCKET	
(SAME TIME FOR TWO UNITS)	
BULB, LICENSE LIGHT .....	0.2
.LENS COMP., TAILLIGHT	
BASE COMP., LICENSE LIGHT ....	0.3
.BRACKET, NUMBER PLATE	
.LIGHT ASSY., LICENSE	

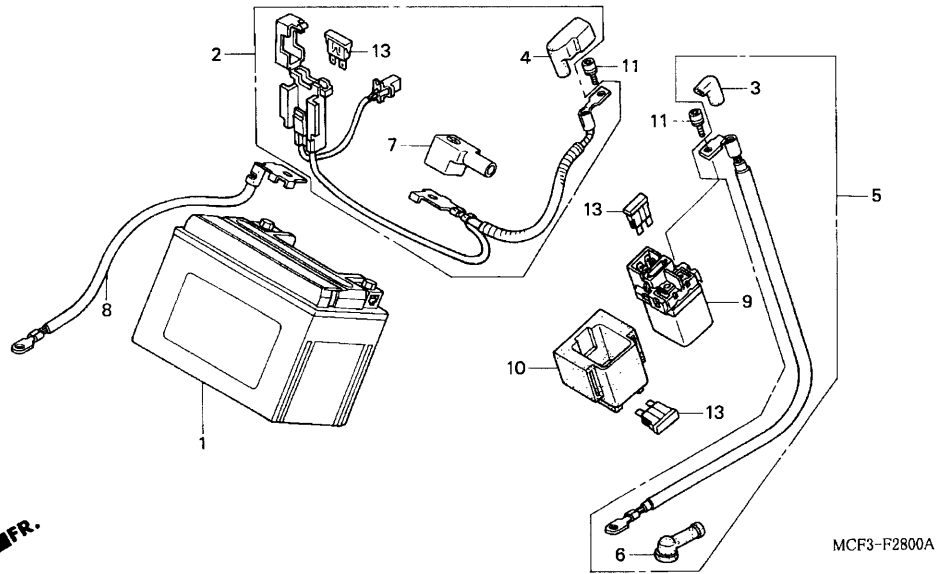
Ref. No.	Part No.	Description	Reqd. QTY			Serial No.	Parts catalogue code
			VTR1000SP	Y	1		
1	33710-MCF-641	LENS COMP., TAILLIGHT .....	1	1	1	-----	E,ED,F,U
	33710-MCF-671	.....	1	1	1	-----	CM
2	33720-GZ9-003	SOCKET .....	2	2	2	-----	
3	34906-MBB-611	BULB, WEDGE BASE (STANLEY) (12V 21/5W ECE)	2	2	2	-----	
4	61103-357-000	RUBBER, FR. FENDER MOUNTING ..	2	2	2	-----	E,ED,F,U
			4	4	4	-----	CM
5	64121-MCF-000	RUBBER, PROTECTOR .....	2	2	2	-----	
6	94050-06000	NUT, FLANGE, 6MM .....	2	2	2	-----	
7	94103-06800	WASHER, PLAIN, 6MM .....	2	2	2	-----	
8	33720-MAT-A01	LIGHT ASSY., LICENSE (12V 8W)	1	1	1	-----	CM
9	33721-MAT-A00	BASE COMP., LICENSE LIGHT ...	1	1	1	-----	CM
10	33722-MZ0-710	LENS, LICENSE LIGHT .....	1	1	1	-----	CM
11	33727-ME4-671	COVER COMP., LICENSE LIGHT ..	1	1	1	-----	CM
12	33729-MB1-003	PACKING, LENS .....	1	1	1	-----	CM
13	34616-568-671	BULB, LICENSE LIGHT (STANLEY) (12V 8W)	1	1	1	-----	CM
14	80114-KE2-940	COLLAR, RR. FENDER .....	2	2	2	-----	CM
15	84701-ML7-670	BRACKET, NUMBER PLATE .....	1	1	1	-----	CM
16	90302-MB2-000	NUT, SPECIAL, 4MM .....	2	2	2	-----	CM
17	94050-06000	NUT, FLANGE, 6MM .....	2	2	2	-----	CM
18	94103-06000	WASHER, PLAIN, 6MM .....	2	2	2	-----	CM
19	95701-06025-08	BOLT, FLANGE, 6X25 .....	2	2	2	-----	CM
20	91410-679-000	CLIP, 2X60 .....	-	-	1	-----	CM

3

F-28

BATTERY

K 5



Service item	F.R.T.
BATTERY .....	0.2
CABLE, BATTERY EARTH .....	0.3
CABLE, STARTER BATTERY .....	0.4
SWITCH ASSY., STARTER MAGNETIC .....	0.7
CABLE, STARTER MOTOR .....	0.7

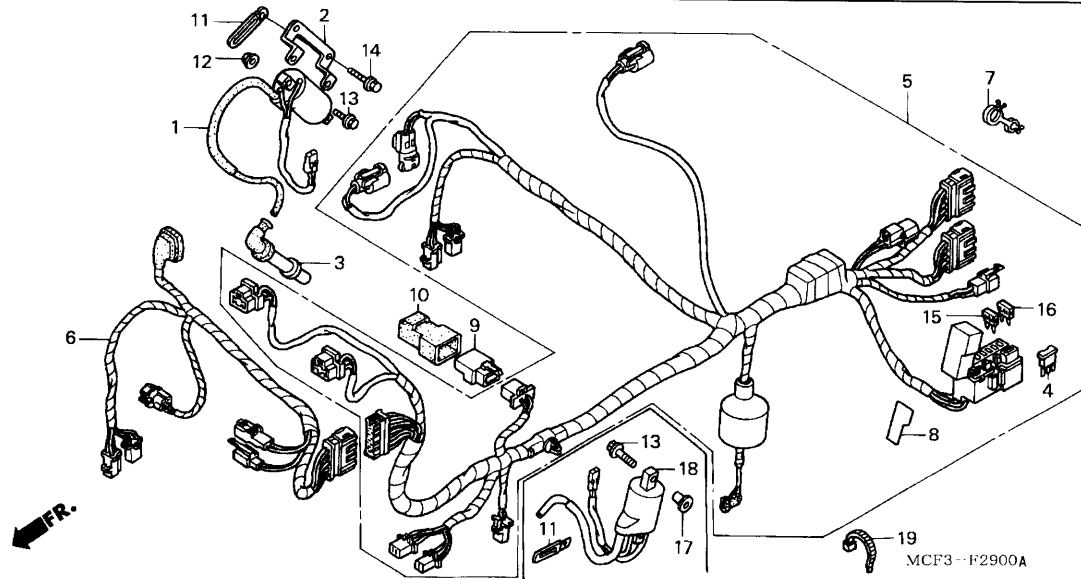
Ref. No.	Part No.	Description	Reqd. QTY			Serial No.	Parts catalogue code
			Y	1	2		
1	31500-MCF-641	BATTERY (YTZ12S)(YUASA) .....	1	-	-		
	31500-MCF-642	BATTERY (FTZ12S)(FURUKAWA) ..	1	1	1	----- E,ED,F,U	
	31500-MCF-643	BATTERY (YTZ12S)(YUASA) .....	-	1	1		
	31500-MCF-672	BATTERY (FTZ12S)(FURUKAWA) ..	-	1	1	----- CM	
2	32401-MCF-640	CABLE, STARTER BATTERY .....	1	1	-		
	32401-MCF-D30	.....	-	-	1		
3	32405-KR3-870	COVER A, STARTER MAGNETIC TERMINAL	1	1	1		
4	32406-KS4-710	COVER B, STARTER MAGNETIC TERMINAL	1	1	1		
5	32410-MCF-000	CABLE, STARTER MOTOR .....	1	1	1		
6	32411-253-000	COVER, STARTER MOTOR TERMINAL	1	1	1		
7	32414-MCF-000	COVER, BATTERY TERMINAL .....	1	1	1		
8	32601-MCF-640	CABLE, BATTERY EARTH .....	1	1	-		
	32601-MCF-D30	.....	-	-	1		
9	35850-MR5-007	SWITCH ASSY., STARTER MAGNETIC	1	1	1		
10	35856-KBG-007	RUBBER, SHOCK .....	1	1	1		
11	90111-MR5-000	BOLT, SOCKET, 5X9 .....	2	2	2		
13	98200-33000	FUSE, BLADE (30A) .....	3	3	3		

3

F-29

WIRE HARNESS(FRONT)

K 6



Service item	F.R.T.
DIODE ASSY., THREE WAY .....	0.3
RELAY COMP., STARTER .....	0.4
HARNESS, FR. SUB WIRE .....	0.6
COIL, FR. IGNITION .....	0.9
(VTR1000SP2 MODEL 1.2)	
HARNESS, WIRE .....	1.5

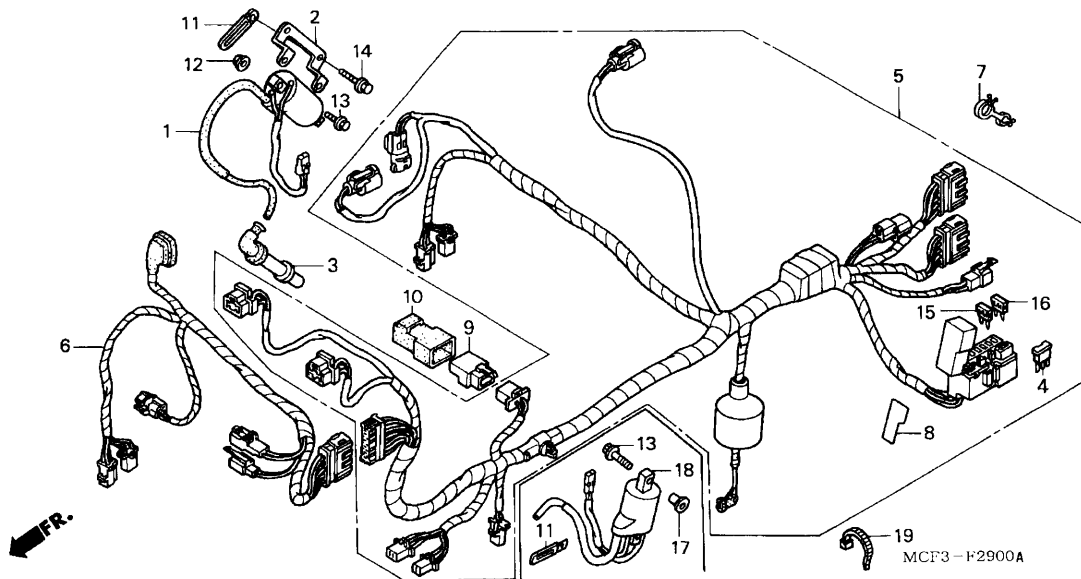
Ref. No.	Part No.	Description	Reqd. QTY		Serial No.	Parts catalogue code
			VTR1000SP			
			Y	1	2	
1	30501-MCF-641	COIL, FR. IGNITION .....	1	-	-	
	30501-MCF-E01	.....		-	-	
2	30507-MCF-000	STAY, IGNITION COIL .....	1	1	-	
3	30700-MCF-003	CAP ASSY., FR. NOISE				
		SUPPRESSOR	1	1	1	
4	31730-MAS-601	DIODE ASSY., THREE WAY (SUMITOMO)	1	1	1	
5	32100-MCF-620	HARNESS, FR. WIRE .....	1	-	-	----- F
	32100-MCF-640	.....	1	-	-	----- E,ED
	32100-MCF-650	.....	1	-	-	----- U
	32100-MCF-670	.....	1	-	-	----- CM
	32100-MCF-A00	HARNESS, WIRE .....	-	1	-	----- CM
	32100-MCF-E00	.....	-	1	-	----- E,ED
	32100-MCF-F00	.....	-	1	-	----- F
	32100-MCF-U00	.....	-	1	-	----- U
	32100-MCF-A20	.....	-	1	-	----- CM
	32100-MCF-D30	.....	-	1	-	----- E,ED
	32100-MCF-F20	.....	-	1	-	----- F
	32100-MCF-U20	.....	-	1	-	----- U
6	32102-MCF-640	HARNESS, FR. SUB WIRE .....	1	1	1	----- E,ED,F,U
	32102-MCF-650	.....	1	-	-	----- U
	32102-MCF-670	.....	1	1	1	----- CM
7	32109-MCF-000	LOCK, PURSE .....	1	1	1	
8	38215-MCF-600	LABEL, MINI FUSE .....	1	1	-	----- CM,E,ED,U
	38215-MCF-620	LABEL, MINI FUSE (FRENCH) ...	1	1	1	----- CM
		.....	1	1	-	----- F
	38215-MCF-D30	LABEL, MINI FUSE .....	-	-	1	----- CM,E,ED,U
	38215-MCF-F20	.....	-	-	1	----- F



F-29

WIRE HARNESS(FRONT)

K 7



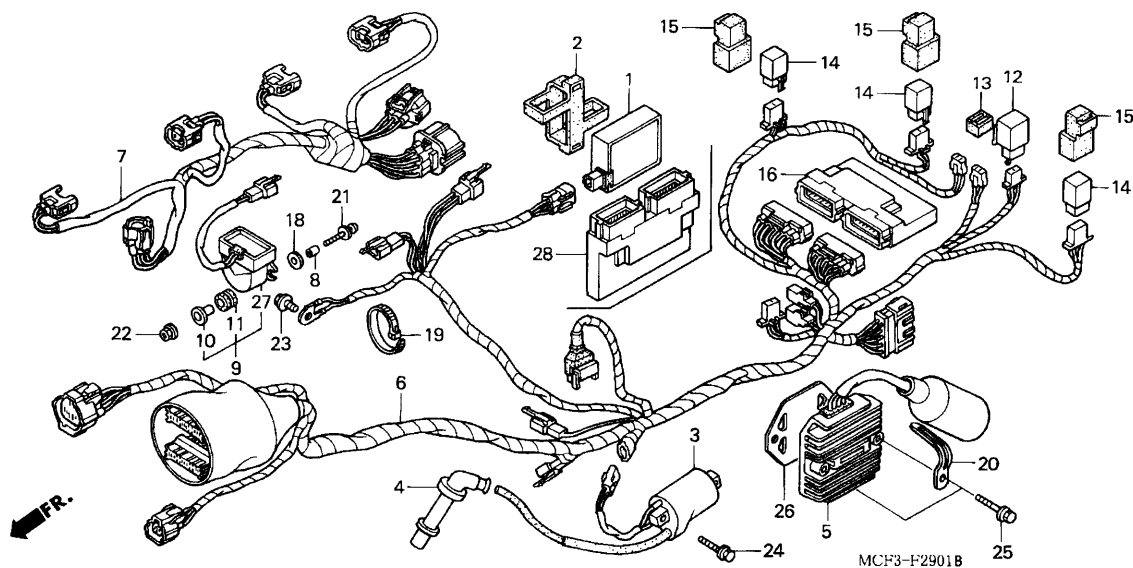
Ref. No.	Part No.	Description	Reqd. QTY			Serial No.	Parts catalogue code
			VTR1000SP	Y	1		
9	38501-GN2-014	RELAY COMP., STARTER (MITSUBA)	1	1	1		
10	38506-GC7-611	SUSPENSION, STARTER RELAY (MITSUBA)	1	1	1		
11	90601-KJ9-000	CLIP, 4X50 .....	1	1	1		
12	94050-06000	NUT, FLANGE, 6MM .....	2	2	-		
13	95701-06022-00	BOLT, FLANGE, 6X22 .....	2	-	-	-----	E,ED,F
	96001-06022-00	.....	2	-	-	-----	CM,U
		.....	-	2	2		
14	95701-06020-00	BOLT, FLANGE, 6X20 .....	2	-	-	-----	CM,U
		.....	-	2	-		
	96001-06020-00	.....	2	-	-	-----	E,ED,F
15	98200-41000	FUSE, MINI (10A) .....	6	6	5		
16	98200-42000	FUSE, MINI (20A) .....	2	2	3		
17	17216-HA7-670	COLLAR, AIR CLEANER SETTING	-	-	2		
18	30501-MCF-D30	COIL, FR. IGNITION .....	-	-	1		
19	90651-KV6-003	BAND, WIRE .....	-	-	1		

3

F-29-1

WIRE HARNESS(REAR)

K 8



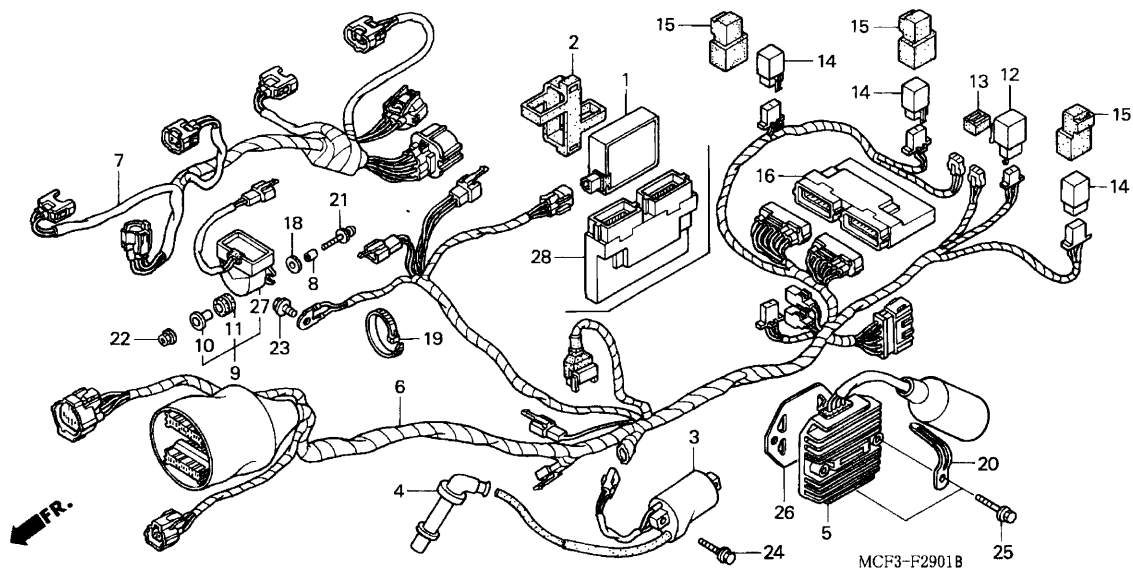
Service item	F.R.T.
RELAY COMP., STARTER (ADD 0.1 FOR EACH.)	0.2
SENSOR ASSY., KILL	0.3
COIL, RR. IGNITION	0.4
.CONVERTER UNIT, C.D.I.	
.PGM-FI UNIT	
.RECTIFIER ASSY., REGULATOR	
HARNESS, RR. WIRE	0.8
.SUB HARNESS, INJECTOR	

Ref. No.	Part No.	Description	Reqd. QTY			Serial No.	Parts catalogue code
			Y	1	2		
1	30450-MCF-003	CONVERTER UNIT, C.D.I. ....	1	1	1		
2	30455-MCF-000	SUSPENSION, C.D.I. CONVERTOR	1	1	1		
3	30502-MCF-641	COIL, RR. IGNITION .....	1	-	-		
	30502-MCF-E01	.....	-	1	-		
	30502-MCF-D30	.....	-	-	1		
4	30750-MCF-003	CAP ASSY., RR. NOISE SUPPRESSOR	1	1	1		
5	31600-MCF-003	RECTIFIER ASSY., REGULATOR ..	1	1	-		
	31600-MCF-D30	.....	-	-	1		
6	32101-MCF-640	HARNESS, RR. WIRE .....	1	1	-	-----	E,ED,F
	32101-MCF-650	.....	1	1	-	-----	U
	32101-MCF-670	.....	1	1	-	-----	CM
	32101-MCF-A20	.....	-	-	1	-----	CM
	32101-MCF-D30	.....	-	-	1	-----	E,ED,F
	32101-MCF-U20	.....	-	-	1	-----	U
7	32106-MCF-000	SUB HARNESS, INJECTOR .....	1	1	-		
	32106-MCF-D30	.....	-	-	1		
8	33716-463-601	COLLAR, SETTING .....	2	2	-		
9	35160-MCF-003	SENSOR ASSY., KILL .....	1	-	-		
	35160-MCF-E00	.....	-	1	-		
10	35162-MN5-003	COLLAR .....	2	2	-		
	35162-MCF-D30	.....	-	-	2		
11	35163-MN5-003	GROMMET .....	2	2	2		
12	38301-KK9-952	RELAY COMP., WINKER (MITSUBA)	1	1	1		
13	38306-KK4-000	SUSPENSION, WINKER RELAY (MITSUBA)	1	1	1		
14	38501-GN2-014	RELAY COMP., STARTER (MITSUBA)	2	2	3		

F-29-1

WIRE HARNESS(REAR)

K 9



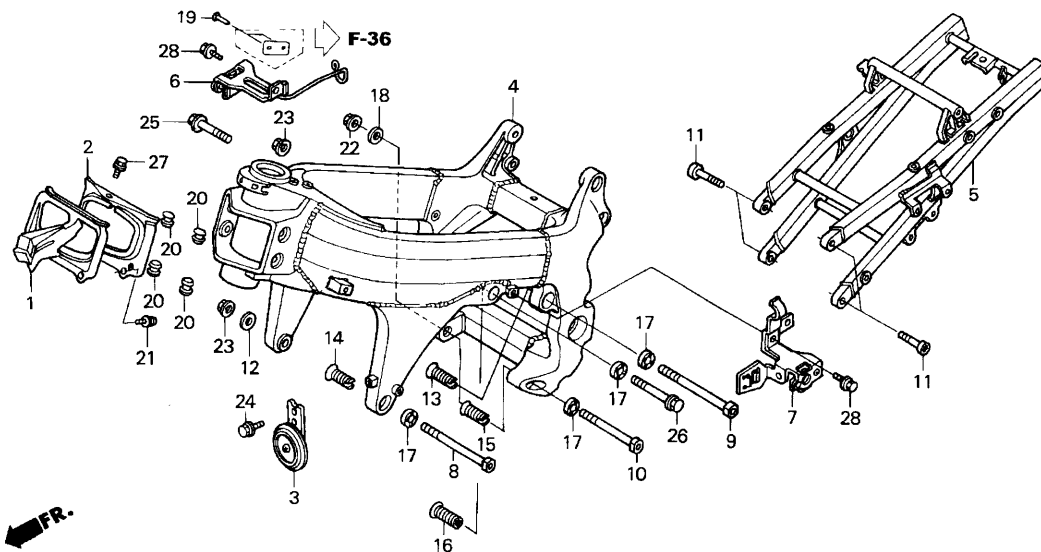
Ref. No.	Part No.	Description	Reqd. QTY			Serial No.	Parts catalogue code
			VTR1000SP	Y	1		
15	38506-GC7-611	SUSPENSION, STARTER RELAY (MITSUBA)	2	2	3		
16	38770-MCF-621	PGM-FI UNIT	1	1	-	-----	F
	38770-MCF-641		1	1	-	-----	E,ED
	38770-MCF-651		1	1	-	-----	U
	38770-MCF-671		1	1	-	-----	CM
18	90525-MCF-000	COLLAR, KILL SENSOR MOUNTING	2	2	-		
19	90651-KV6-003	BAND, WIRE	1	1	-		
20	91406-166-000	CLIP, WIRE	1	1	-		
21	90109-MCF-000	SCREW-WASHER, LOCK, 4X25	2	2	2		
22	94050-04070	NUT, FLANGE, 4MM	2	2	2		
23	96001-06012-00	BOLT, FLANGE, 6X12	1	1	1		
24	95701-06028-00	BOLT, FLANGE, 6X28	2	2	2		
25	96001-06040-00	BOLT, FLANGE, 6X40	2	2	-		
	96001-06032-07	BOLT, FLANGE, 6X32	-	-	2		
26	31605-MCF-D30	SPACER, REGULATOR RECTIFIER	-	-	1		
27	35161-MCF-E00	SENSOR COMP., KILL	-	-	1		
28	38770-MCF-A21	PGM-FI UNIT	-	-	1	-----	CM
	38770-MCF-D31		-	-	1	-----	E,ED,U
	38770-MCF-F21		-	-	1	-----	F

3

F-30

FRAME BODY (VTR1000SPY-1)

K10



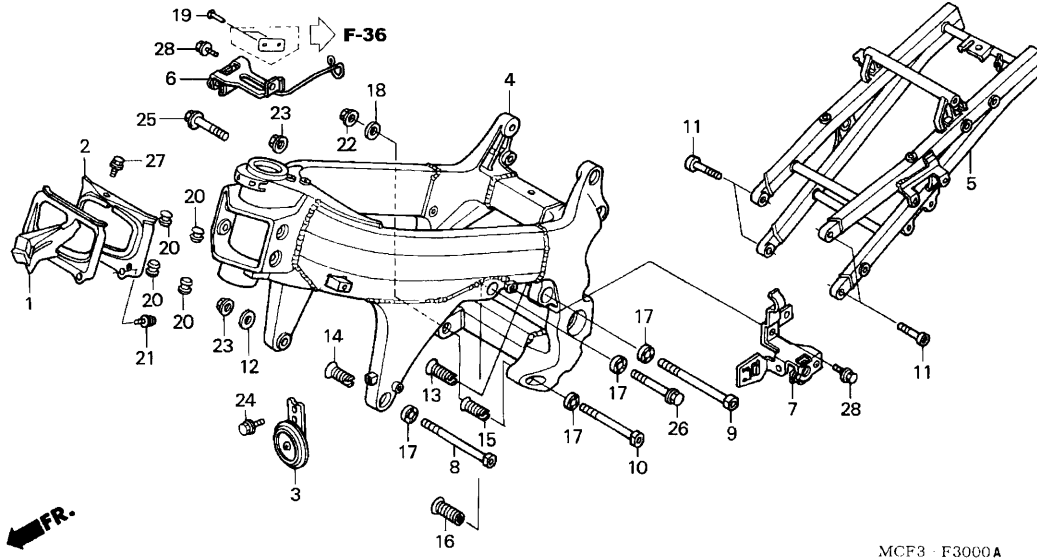
Service item	F.R.T.
HORN COMP. ....	0.2
RAIL COMP., SEAT .....	0.8
HOLDER, FR. CONNECTING TUBE ..	0.9
(INC. RELATIVE PART)	
BODY COMP., FRAME .....	*10.0

Ref. No.	Part No.	Description	Reqd. QTY		Serial No.	Parts catalogue code
			VTR1000SP			
			Y	1	2	
1	17263-MCF-000	TUBE, FR. CONNECTING .....	1	1	-	
2	17264-MCF-000	HOLDER, FR. CONNECTING TUBE ..	1	-	-	
	17264-MCF-D00	.....	-	1	-	----- CM
3	38110-GT8-621	HORN COMP. (HIGH) (MITSUBA) ..	1	1	-	----- E,ED,F,U
4	50100-MCF-000	BODY COMP., FRAME .....	1	-	-	----- E,ED,F,U
	50100-MCF-67QZA	*NH377M*..CORE BLACK METALLIC	1	-	-	----- CM
	50100-MCF-A00ZA	*NH377M*..CORE BLACK METALLIC	-	1	-	----- CM
	50100-MCF-D00	.....	-	1	-	----- E,ED,F,U
5	50200-MCF-000	RAIL COMP., SEAT .....	1	-	-	
	50200-MCF-D00	.....	-	1	-	
6	64515-MCF-000	STAY B, R. LOWER COWL .....	1	-	-	
	64515-MCF-D00	.....	-	1	-	----- CM
	64515-MCF-F00	.....	-	1	-	----- E,ED,F,U
7	64516-MCF-000	STAY B, L. LOWER COWL .....	1	-	-	
	64516-MCF-D00	.....	-	1	-	----- CM
	64516-MCF-F00	.....	-	1	-	----- E,ED,F,U
8	90102-MCF-000	BOLT, SPECIAL, 12X280 .....	1	1	-	
9	90103-MCF-000	BOLT, SPECIAL, 12X294 .....	1	1	-	
10	90104-MCF-000	BOLT, FLANGE, 10X249 .....	1	1	-	
11	90108-MCF-000	BOLT, TORX, 10X32 .....	4	4	-	
12	90122-GS3-000	WASHER, 12MM .....	1	1	-	
13	90151-MCF-000	BOLT, ADJUSTING, 20X68.5 .....	1	1	-	
14	90152-MCF-000	BOLT, ADJUSTING, 20X48.5 .....	1	1	-	
15	90153-MCF-000	BOLT, ADJUSTING, 20X48.5 .....	1	1	-	
16	90154-MCF-000	BOLT, ADJUSTING, 20X68.5 .....	1	1	-	

F-30

FRAME BODY (VTR1000SPY-1)

K11



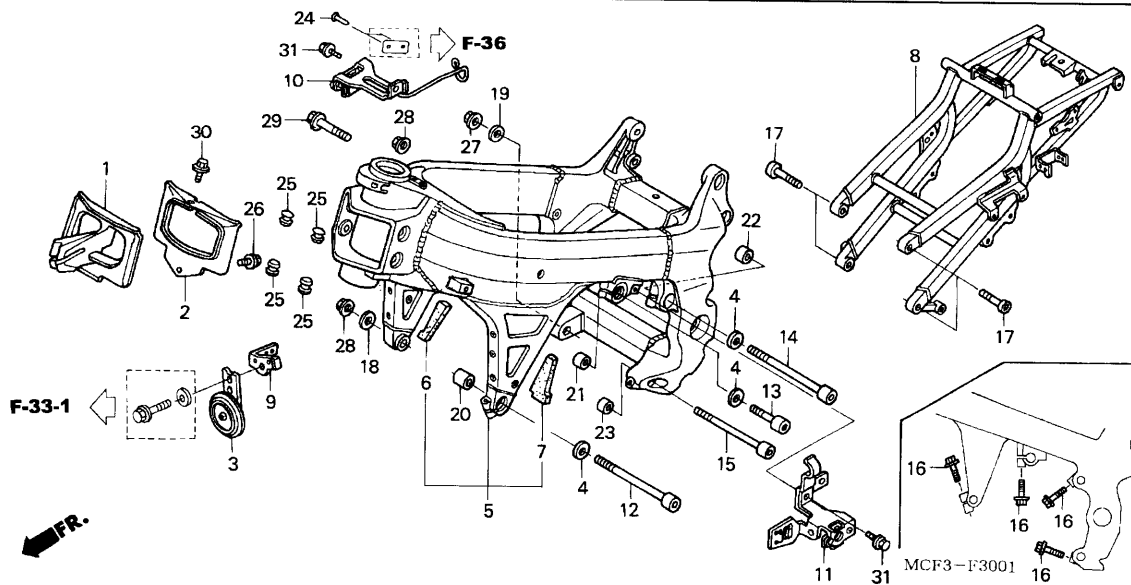
Ref. No.	Part No.	Description	Reqd. QTY		Serial No.	Parts catalogue code
			VTR1000SP			
			Y	1	2	
17	90201-MW0-000	NUT, LOCK, 20MM	4	4	-	
18	90410-KR0-000	WASHER, 10MM	1	1	-	
19	90841-001-000	SCREW, RIVET, 1.8X5	2	2	-	----- E,ED,F
20	90851-MCF-000	GROMMET, AIR DUCT	8	8	-	
21	93401-05012-07	BOLT-WASHER, 5X12	2	2	-	
22	94050-10000	NUT, FLANGE, 10MM	1	1	-	
23	94050-12000	NUT, FLANGE, 12MM	2	2	-	
24	95701-06012-07	BOLT, FLANGE, 6X12	1	1	-	
25	95801-12055-00	BOLT, FLANGE, 12X55	1	1	-	
26	95801-12100-00	BOLT, FLANGE, 12X100	1	1	-	
27	96001-06010-07	BOLT, FLANGE, 6X10	1	1	-	
28	96001-06014-07	BOLT, FLANGE, 6X14	2	2	-	

3

F-30-1

FRAME BODY (VTR1000SP2)

K12



Service item	F.R.T.
HORN COMP. ....	0.2
RAIL COMP., SEAT .....	0.8
HOLDER, FR. CONNECTING TUBE ..	0.9
(INC. RELATIVE PART)	
BODY SET, FRAME .....	*10.0

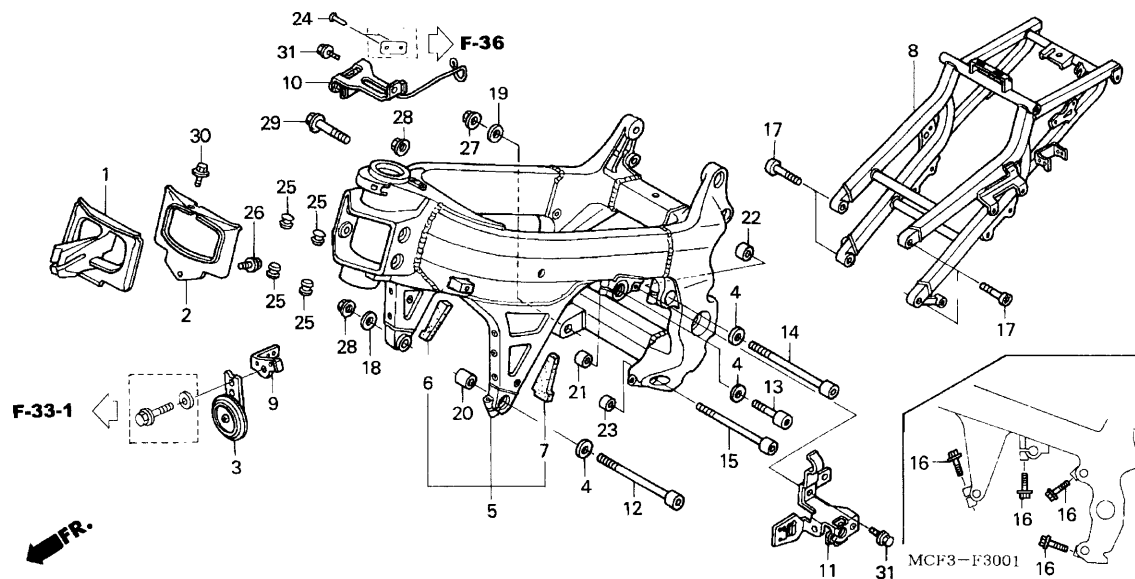
3

Ref. No.	Part No.	Description	Reqd. QTY		Serial No.	Parts catalogue code
			VTR1000SP			
			Y	1 2		
1	17263-MCF-D30	TUBE, FR. CONNECTING .....	-	-	1	
2	17264-MCF-D30	HOLDER, FR. CONNECTING TUBE ..	-	-	1	
3	38110-GT8-621	HORN COMP. (HIGH)(MITSUBA) ..	-	-	1	
4	45224-KV3-951	WASHER A, FR. DISK .....	-	-	3	
5	50010-MCF-A20ZA	BODY SET, FRAME	-	-	1	
		*NH377M*...CORE BLACK METALLIC	-	-	1	----- CM
	50010-MCF-D30	.....	-	-	1	----- E,ED,F,U
6	50191-MCF-D30	MAT, R. FR. ENGINE HANGER ...	-	-	1	
7	50192-MCF-D30	MAT, L. FR. ENGINE HANGER ...	-	-	1	
8	50200-MCF-D30	RAIL COMP., SEAT .....	-	-	1	
9	50381-MCF-D30	STAY, HORN .....	-	-	1	
10	64515-MCF-000	STAY B, R. LOWER COWL .....	-	-	1	
11	64516-MCF-000	STAY B, L. LOWER COWL .....	-	-	1	
12	90101-MCF-D30	BOLT, SOCKET, 12X259.5 .....	-	-	1	
13	90102-MCF-D30	BOLT, SOCKET, 12X55 .....	-	-	1	
14	90103-MCF-D30	BOLT, SOCKET, 12X266 .....	-	-	1	
15	90104-MCF-D30	BOLT, SOCKET, 10X221 .....	-	-	1	
16	90108-KZ4-J40	BOLT, FLANGE, 8X40 .....	-	-	4	
17	90108-MCF-000	BOLT, TORX, 10X32 .....	-	-	4	
18	90122-GS3-000	WASHER, 12MM .....	-	-	1	
19	90410-KRO-000	WASHER, 10MM .....	-	-	1	
20	90501-MCF-D30	COLLAR A, ENGINE HANGER .....	-	-	1	
21	90502-MCF-D30	COLLAR B, ENGINE HANGER .....	-	-	1	
22	90503-MCF-D30	COLLAR C, ENGINE HANGER .....	-	-	1	
23	90504-MCF-D30	COLLAR D, ENGINE HANGER .....	-	-	1	

# F-30-1

# FRAME BODY (VTR1000SP2)

K13



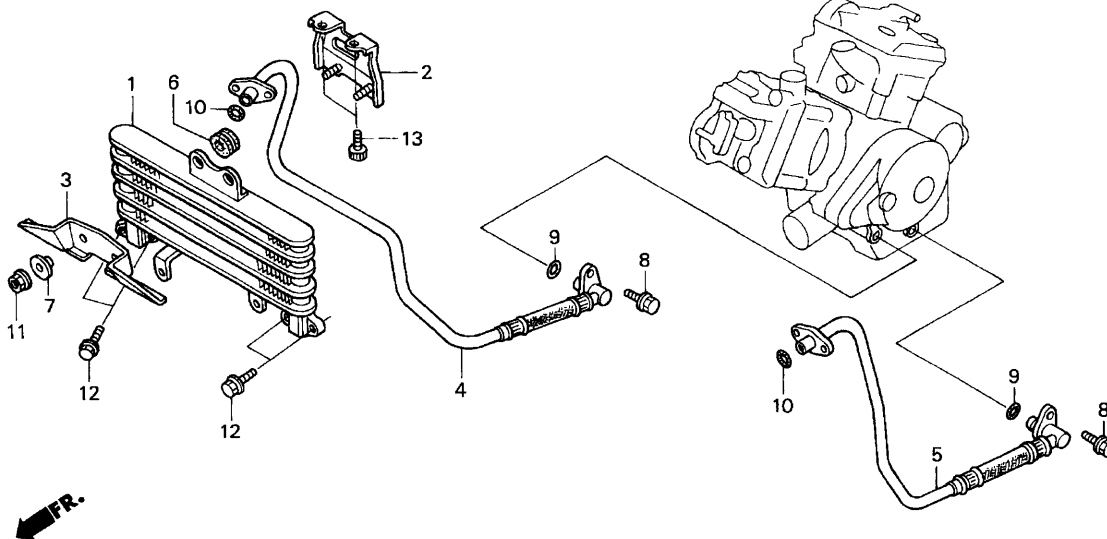
Ref. No.	Part No.	Description	Reqd. QTY		Serial No.	Parts catalogue code
			VTR1000SP			
			Y	1	2	
24	90841-001-000	SCREW, RIVET, 1.8X5	-	-	2	----- E,ED,F
25	90851-MCF-000	GROMMET, AIR DUCT	-	-	8	
26	93401-05010-07	BOLT-WASHER, 5X10	-	-	1	
27	94050-10070	NUT, FLANGE, 10MM	-	-	1	
28	94050-12070	NUT, FLANGE, 12MM	-	-	2	
29	95801-12055-07	BOLT, FLANGE, 12X55	-	-	1	
30	96001-06010-07	BOLT, FLANGE, 6X10	-	-	1	
31	96001-06014-07	BOLT, FLANGE, 6X14	-	-	2	

3

F-31

OIL COOLER(VTR1000SPY-1)

K14



Service item	F.R.T.
STAY, OIL COOLER .....	0.5
HOSE COMP., L. OIL .....	0.7
(ADD 0.1 FOR EACH.)	
.HOSE COMP., R. OIL	
COOLER COMP., OIL .....	0.8

Ref. No.	Part No.	Description	Reqd. QTY			Serial No.	Parts catalogue code
			VTR1000SP	Y	1		
1	15600-MCF-000	COOLER COMP., OIL .....	1	1	-		
2	15601-MCF-000	STAY, OIL COOLER .....	1	1	-		
3	15602-MCF-000	PLATE, AIR GUIDE .....	1	1	-		
4	15650-MCF-000	HOSE COMP., R. OIL .....	1	1	-		
5	15660-MCF-000	HOSE COMP., L. OIL .....	1	1	-		
6	19051-KA3-830	RUBBER, RADIATOR MOUNTING ...	2	2	-		
7	19052-MCF-000	COLLAR, OIL COOLER MOUNTING .	2	-	-		
	90503-MCF-D00	COLLAR, OIL COOLER .....	-	2	-		
8	90103-MJ1-000	BOLT, FLANGE, 8X22 .....	2	-	-	----- CM	
			2	-	-	----- YM000071 U	
			2	-	-	----- YM000903 F	
			2	-	-	----- YM007457 E,ED	
	90103-MJ1-010	.....	2	-	-	----- YM000072 U	
			2	-	-	----- YM000904 F	
			2	-	-	----- YM007458 E,ED	
			-	2	-		
9	91255-MJ1-000	O-RING, 11.1X3.5 .....	2	2	-		
10	91314-MCF-000	O-RING, 12X3 .....	2	2	-		
11	94050-06070	NUT, FLANGE, 6MM .....	2	2	-		
12	96001-06020-07	BOLT, FLANGE, 6X20 .....	4	4	-		
13	96600-06014-00	BOLT, SOCKET, 6X14 .....	2	2	-		

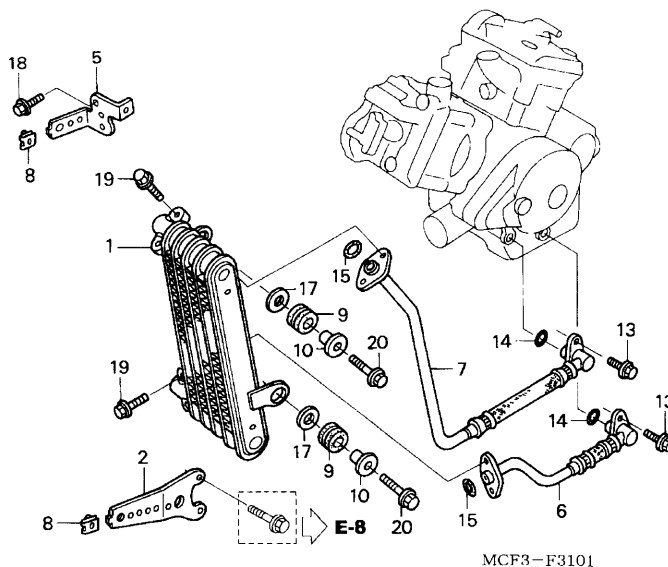
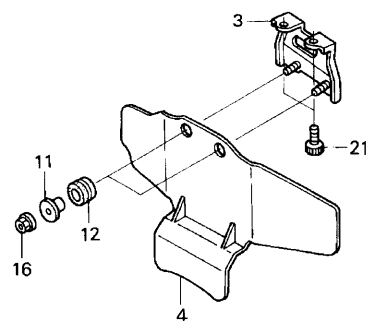
3



F-31-1

OIL COOLER(VTR1000SP2)

K15



FR.

Service item	F.R.T.
PLATE, AIR GUIDE .....	0.1
STAY, OIL COOLER .....	0.2
HOSE COMP. A, OIL .....	0.5
(SAME TIME FOR TWO UNITS)	
.HOSE COMP. B, OIL .....	
COOLER COMP., OIL .....	0.6

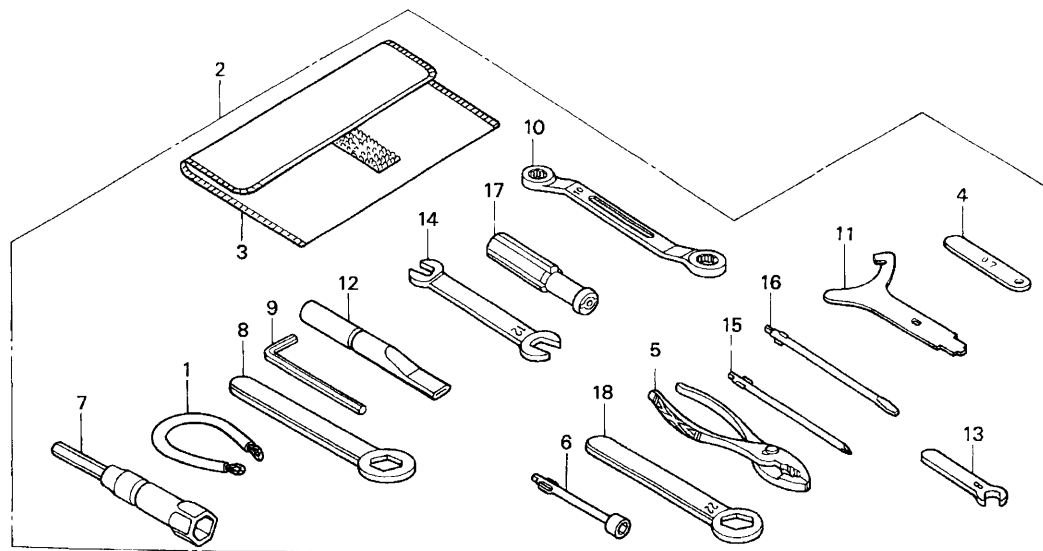
Ref. No.	Part No.	Description	Reqd. QTY		Serial No.	Parts catalogue code
			VTR1000SP			
			Y	1	2	
1	15600-MCF-D31	COOLER COMP., OIL .....	-	-	1	
2	15601-MCF-D30	STAY, OIL COOLER .....	-	-	1	
3	15601-MCF-000	STAY, OIL COOLER .....	-	-	1	
4	15602-MCF-D30	PLATE, AIR GUIDE .....	-	-	1	
5	15603-MCF-D30	STAY, OIL COOLER UPPER .....	-	-	1	
6	15650-MCF-D30	HOSE COMP. A, OIL .....	-	-	1	
7	15660-MCF-D30	HOSE COMP. B, OIL .....	-	-	1	
8	19014-KEA-003	NUT, SETTING .....	-	-	2	
9	19051-KA3-830	RUBBER, RADIATOR MOUNTING ...	-	-	2	
10	19052-MAC-680	COLLAR, RADIATOR MOUNTING ...	-	-	2	
11	61104-422-000	COLLAR, SETTING .....	-	-	2	
12	64216-GJ2-730	RUBBER, SCREEN SETTING .....	-	-	2	
13	90103-MJ1-010	BOLT, FLANGE, 8X22 .....	-	-	2	
14	91255-MJ1-000	O-RING, 11.1X3.5 .....	-	-	2	
15	91314-MCF-000	O-RING, 12X3 .....	-	-	2	
16	94050-06070	NUT, FLANGE, 6MM .....	-	-	2	
17	94103-06700	WASHER, PLAIN, 6MM .....	-	-	2	
18	96001-06018-07	BOLT, FLANGE, 6X18 .....	-	-	1	
19	96001-06020-07	BOLT, FLANGE, 6X20 .....	-	-	4	
20	96001-06028-07	BOLT, FLANGE, 6X28 .....	-	-	2	
21	96600-06014-00	BOLT, SOCKET, 6X14 .....	-	-	2	

3

F-32

TOOLS

K16



MCF3-F3200

Service item F.R.T.  
NOT INFORMATION .....

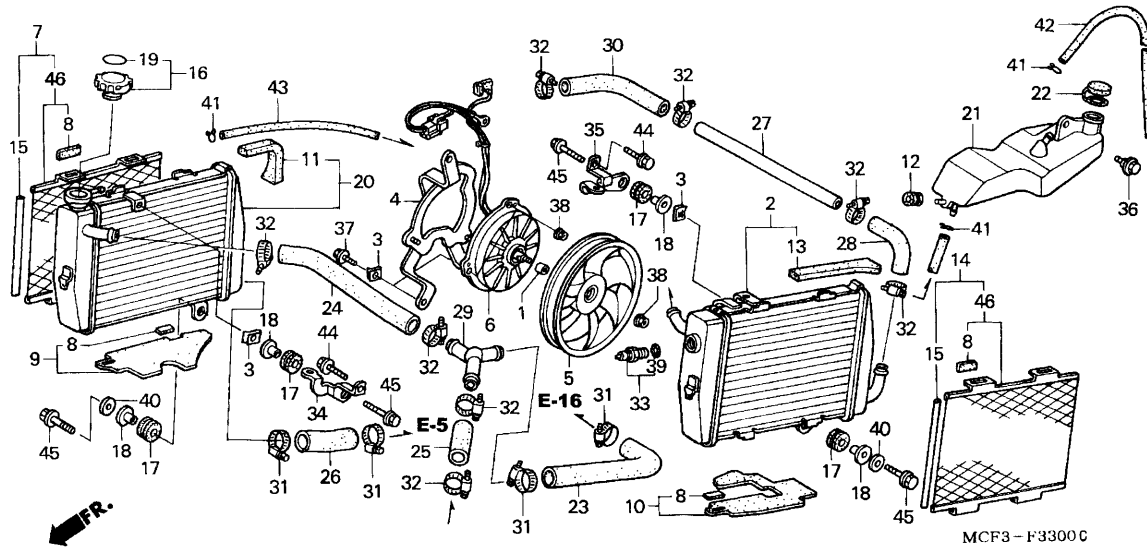
Ref. No.	Part No.	Description	Reqd. QTY			Serial No.	Parts catalogue code
			VTR1000SP	Y	1		
1	77236-KAZ-780	WIRE, HELMET SET .....	1	1	1		
2	89010-MCF-000	TOOL SET .....	1	1	1		
3	89101-MBW-000	BAG, TOOL .....	1	1	1		
4	89103-371-000	GAUGE, FEELER, 0.7MM .....	1	1	1		
5	89210-GBJ-J00	PLIERS, 135(RIKEN) .....	1	1	1		
	89210-GBJ-J10	PLIERS, 135(KOWA) .....	1	1	1		
	99002-13500	PLIERS, 135 .....	1	1	1		
6	89211-KJ2-000	WRENCH, BOX (8MM) .....	1	1	1		
7	89216-MCF-000	WRENCH, PLUG, (16.5) .....	1	1	1		
8	89218-MAZ-000	WRENCH, EYE, 32 .....	1	1	1		
9	89221-429-000	WRENCH, HEX., 5MM .....	1	1	1		
10	89227-461-000	WRENCH, EYE, 10X12 .....	1	1	1		
11	89230-MB1-000	SPANNER, PIN .....	1	1	1		
12	89256-MT4-000	GRIP, RR. WHEEL WRENCH .....	1	1	1		
13	99001-08000	SPANNER, 8 .....	1	1	1		
14	99001-10120	SPANNER, 10X12 .....	1	1	1		
15	99003-10000	DRIVER PLUS SCREW 1,(NO.2) ..	1	1	1		
16	99003-30000	DRIVER MINUS SCREW 3,(NO.2) .	1	1	1		
17	99003-50000	GRIP, SCREW DRIVER .....	1	1	1		
18	99006-22000	WRENCH, EYE, 22MM .....	1	1	1		

3

F-33

RADIATOR(VTR1000SPY-1)

L 1



Service item	F.R.T.
CAP COMP., RADIATOR .....	0.3
.GRILLE, L. RADIATOR	
.GRILLE, R. RADIATOR	
TANK, RADIATOR RESERVE .....	0.4
FAN COMP., COOLING .....	0.6
.HOSE D, RADIATOR	
.RADIATOR COMP., R.	
.SHROUD COMP.	
.SWITCH ASSY., THERMO	
HOSE B, RADIATOR .....	0.7
.HOSE C, RADIATOR	
.MOTOR ASSY., FAN	
.RADIATOR COMP., L.	
.TUBE, 5.3X620	
HOSE A, RADIATOR .....	1.1

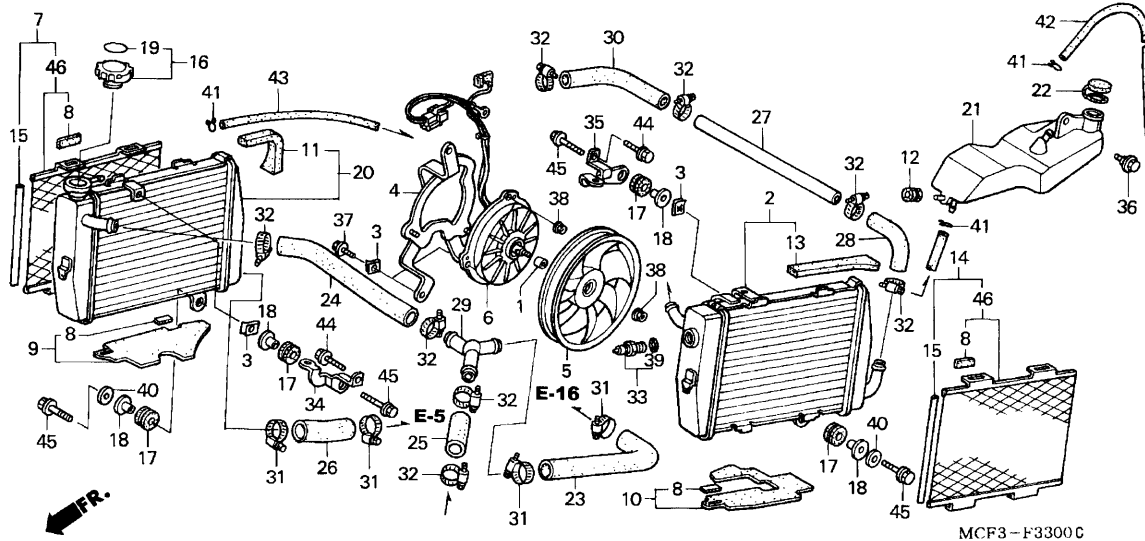
Ref. No.	Part No.	Description	Reqd. QTY			Serial No.	Parts catalogue code
			VTR1000SP	Y	1 2		
1	19006-MCJ-003	COLLAR .....	1	1	-		
2	19010-MCF-003	RADIATOR COMP., L. ....	1	1	-		
3	19014-KEA-003	NUT, SETTING .....	5	5	-		
4	19015-MCF-003	SHROUD COMP. ....	1	1	-		
5	19020-MCF-003	FAN COMP., COOLING .....	1	1	-		
6	19030-MCF-003	MOTOR ASSY., FAN .....	1	1	-		
7	19032-MCF-000	GRILLE, R. RADIATOR .....	1	-	-		
8	19033-MBB-300	CUSHION, RADIATOR GRILLE ...	12	12	-		
9	19036-MCF-000	GUIDE B, R. RADIATOR INNER ..	1	1	-		
10	19037-MCF-000	GUIDE B, L. RADIATOR INNER ..	1	1	-		
11	19038-MCF-300	MAT, R. RADIATOR INNER .....	1	1	-		
12	19038-ME9-000	RUBBER, FILLER NECK STOPPER ..	1	1	-		
13	19039-MCF-300	MAT, L. RADIATOR INNER .....	1	1	-		
14	19042-MCF-000	GRILLE, L. RADIATOR .....	1	-	-		
15	19043-MCF-300	RUBBER, PROTECTOR .....	2	-	-		
16	19045-GBF-700	CAP COMP., RADIATOR .....	1	1	-		
17	19051-KA3-830	RUBBER, RADIATOR MOUNTING ...	4	4	-		
18	19052-MAC-680	COLLAR, RADIATOR MOUNTING ...	4	4	-		
19	19055-MV9-881	SEAL, RADIATOR CAP (ENGLISH/FRENCH/JAPANESE)	1	1	-		
20	19060-MCF-003	RADIATOR COMP., R. ....	1	1	-		
21	19101-MCF-000	TANK, RADIATOR RESERVE .....	1	1	-		

3

F-33

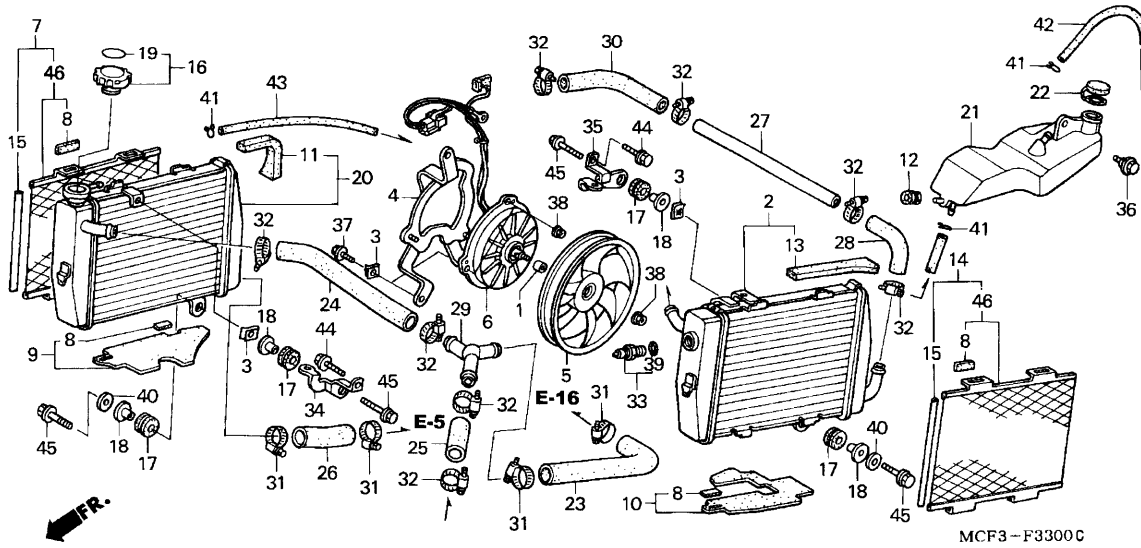
RADIATOR(VTR1000SPY-1)

L 2



Ref. No.	Part No.	Description	Reqd. QTY		Serial No.	Parts catalogue code
			VTR1000SP			
			Y	1 2		
22	19109-MJ4-305	CAP, RESERVE TANK .....	1	-		
			-	1	----- 1M100331	CM
			-	1	----- 1M100553	U
			-	1	----- 1M102561	E,ED
	19109-KPC-640	.....	-	1	-----	F
			-	1	1M100332	----- CM
			-	1	1M100554	----- U
			-	1	1M102562	----- E,ED
23	19501-MCF-000	HOSE A, RADIATOR .....	1	1		
24	19502-MCF-000	HOSE B, RADIATOR .....	1	1		
25	19503-MCF-000	HOSE C, RADIATOR .....	1	1		
26	19504-MCF-000	HOSE D, RADIATOR .....	1	1		
27	19506-MCF-000	PIPE, WATER .....	1	1		
28	19507-MCF-000	HOSE F, RADIATOR .....	1	1		
29	19508-MBT-610	JOINT, HOSE 3WAY .....	1	1		
30	19510-MCF-000	HOSE H, RADIATOR .....	1	1		
31	19516-GAG-003	CLAMP, HOSE, 30-37MM .....	4	4		
32	19516-ML7-691	CLAMP, HOSE, 24-32MM .....	8	8		
33	37760-MT2-003	SWITCH ASSY., THERMO .....	1	1		
34	64511-MCF-000	STAY C, R. UPPER COWL .....	1	1		
35	64512-MCF-000	STAY C, L. UPPER COWL .....	1	1		
36	90111-162-000	BOLT, FLANGE, 6MM .....	1	1		
37	90120-KCR-003	BOLT-WASHER, 6X16 .....	3	3		
38	90315-MK3-003	NUT, SERRATE, 5MM .....	4	4		
39	91307-611-000	O-RING, 13.5X1.4 .....	1	1		
40	94103-06000	WASHER, PLAIN, 6MM .....	2	2		

3



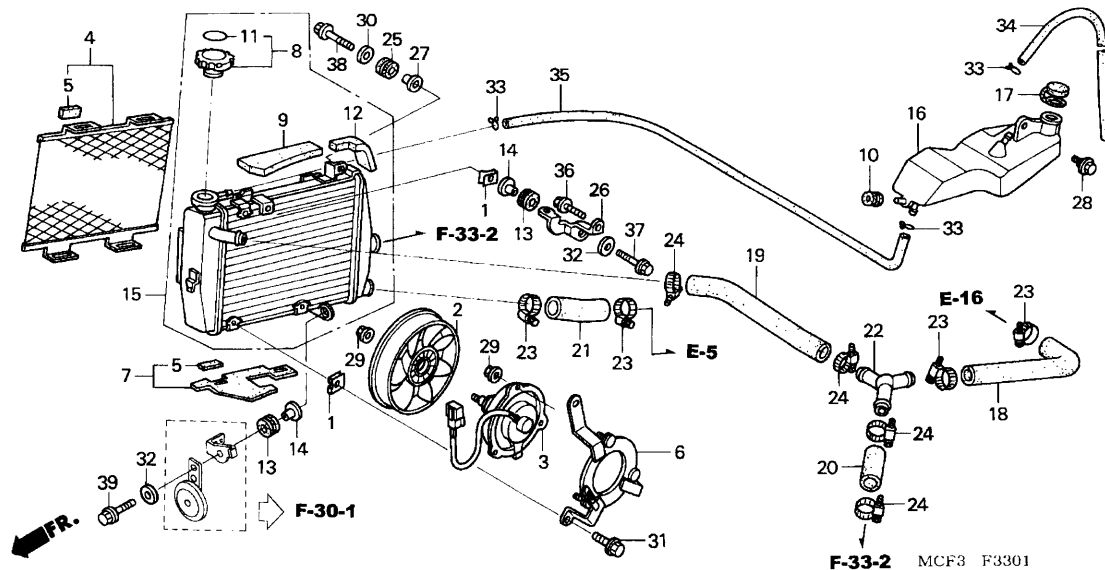
Ref. No.	Part No.	Description	Reqd. QTY			Serial No.	Parts catalogue code
			VTR1000SP	Y	2		
41	95002-02100	CLIP, TUBE (B10) .....	3	3	-		
42	95005-55530-20	TUBE, 5.3X530(95005-55001-20M)	1	1	-		
43	95005-55620-20	TUBE, 5.3X620(95005-55001-20M)	1	1	-		
44	96001-06014-07	BOLT, FLANGE, 6X14 .....	2	2	-		
45	96001-06028-00	BOLT, FLANGE, 6X28 .....	4	4	-		
46	19032-MCF-D00	GRILLE, RADIATOR .....	-	2	-		



# F-33-1

# RADIATOR(R.)(VTR1000SP2)

L 4



Service item	F.R.T.
CAP COMP., RADIATOR .....	0.3
.GRILLE, RADIATOR .....	
FAN COMP., COOLING .....	0.6
.HOSE D, RADIATOR .....	
.SHROUD COMP., R. .....	
.TANK, RADIATOR RESERVE .....	
HOSE B, RADIATOR .....	0.7
.HOSE C, RADIATOR .....	
.MOTOR ASSY., FAN .....	
.RADIATOR COMP., R. .....	
.TUBE, 5.3X620 .....	
HOSE A, RADIATOR .....	1.1

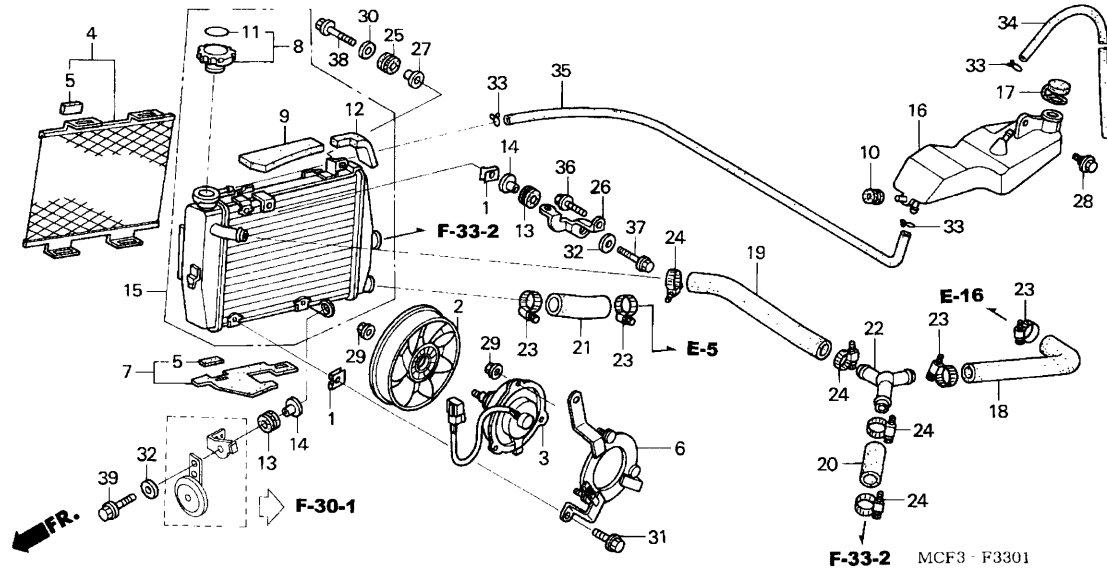
Ref. No.	Part No.	Description	Reqd. QTY		Serial No.	Parts catalogue code
			VTR1000SP			
			Y	1 2		
1	19014-KEA-003	NUT, SETTING .....	-	- 4		
2	19020-MCF-D31	FAN COMP., COOLING .....	-	- 1		
3	19030-MCF-D31	MOTOR ASSY., FAN .....	-	- 1		
4	19032-MCF-D00	GRILLE, RADIATOR .....	-	- 1		
5	19033-MBB-300	CUSHION, RADIATOR GRILLE .....	-	- 6		
6	19035-MCF-D31	SHROUD COMP., R. ....	-	- 1		
7	19036-MCF-D30	GUIDE B, R. RADIATOR INNER ..	-	- 1		
8	19037-GEE-710	CAP COMP., RADIATOR .....	-	- 1		
9	19038-MCF-D30	MAT A, R. RADIATOR .....	-	- 1		
10	19038-ME9-000	RUBBER, FILLER NECK STOPPER ..	-	- 1		
11	19046-PAA-A00	LABEL, RADIATOR CAP .....	-	- 1		
12	19048-MCF-D30	MAT B, R. RADIATOR .....	-	- 1		
13	19051-KA3-830	RUBBER, RADIATOR MOUNTING ...	-	- 2		
14	19052-MAC-680	COLLAR, RADIATOR MOUNTING ...	-	- 2		
15	19060-MCF-D31	RADIATOR COMP., R. ....	-	- 1		
16	19101-MCF-000	TANK, RADIATOR RESERVE .....	-	- 1		
17	19109-KPC-640	CAP, RESERVE TANK .....	-	- 1		
18	19501-MCF-000	HOSE A, RADIATOR .....	-	- 1		
19	19502-MCF-000	HOSE B, RADIATOR .....	-	- 1		
20	19503-MCF-000	HOSE C, RADIATOR .....	-	- 1		
21	19504-MCF-000	HOSE D, RADIATOR .....	-	- 1		
22	19508-MBT-610	JOINT, HOSE 3WAY .....	-	- 1		
23	19516-GAG-003	CLAMP, HOSE, 30-37MM .....	-	- 4		
24	19516-ML7-691	CLAMP, HOSE, 24-32MM .....	-	- 4		
25	33712-KT1-670	RUBBER, TAILLIGHT .....	-	- 1		

3

# F-33-1

# RADIATOR(R.)(VTR1000SP2)

L 5



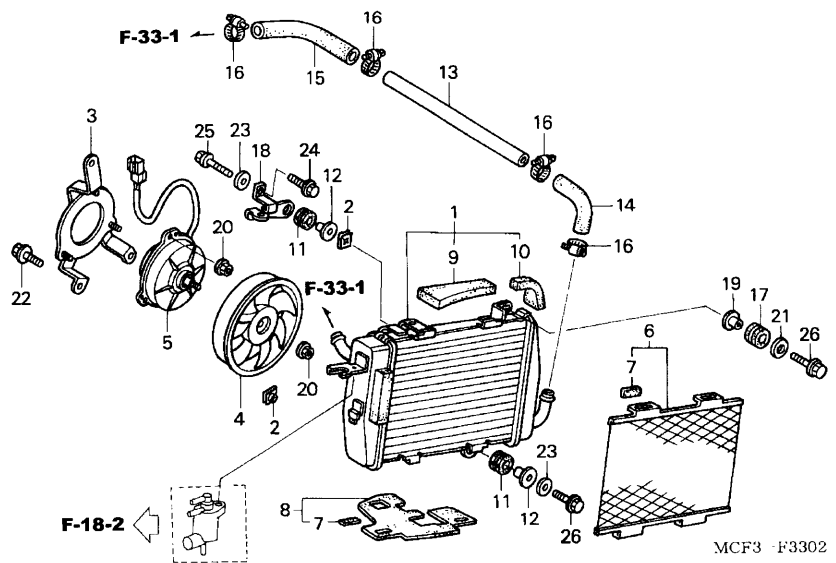
Ref. No.	Part No.	Description	Reqd. QTY		Serial No.	Parts catalogue code
			VTR1000SP	Y 1 2		
26	64511-MCF-000	STAY C, R. UPPER COWL .....	-	-	1	
27	84706-163-670	COLLAR, TAILLIGHT MOUNTING ..	-	-	1	
28	90111-162-000	BOLT, FLANGE, 6MM .....	-	-	1	
29	90315-MK3-003	NUT, SERRATE, 5MM .....	-	-	4	
30	90485-MB2-000	WASHER, 6MM .....	-	-	1	
31	93401-06014-00	BOLT-WASHER, 6X14 .....	-	-	3	
32	94103-06700	WASHER, PLAIN, 6MM .....	-	-	2	
33	95002-02100	CLIP, TUBE (B10) .....	-	-	3	
34	95005-55530-20	TUBE, 5.3X530(95005-55001-20M)	-	-	1	
35	95005-55620-20	TUBE, 5.3X620(95005-55001-20M)	-	-	1	
36	96001-06014-07	BOLT, FLANGE, 6X14 .....	-	-	1	
37	96001-06028-07	BOLT, FLANGE, 6X28 .....	-	-	1	
38	96001-06032-07	BOLT, FLANGE, 6X32 .....	-	-	1	
39	96001-06035-07	BOLT, FLANGE, 6X35 .....	-	-	1	

3

F-33-2

RADIATOR(L.)(VTR1000SP2)

L 6



Service item	F.R.T.
GRILLE, RADIATOR .....	0.3
FAN COMP., COOLING .....	0.6
.SHROUD COMP., L.	
HOSE F, RADIATOR .....	0.7
.HOSE H, RADIATOR	
.MOTOR ASSY., FAN	
.RADIATOR COMP., L.	

Ref. No.	Part No.	Description	Reqd. QTY		Serial No.	Parts catalogue code
			VTR1000SP			
			Y	1 2		
1	19010-MCF-D31	RADIATOR COMP., L. ....	-	-	1	
2	19014-KEA-003	NUT, SETTING .....	-	-	4	
3	19015-MCF-D31	SHROUD COMP., L. ....	-	-	1	
4	19020-MCF-D31	FAN COMP., COOLING .....	-	-	1	
5	19030-MCF-D31	MOTOR ASSY., FAN .....	-	-	1	
6	19032-MCF-D00	GRILLE, RADIATOR .....	-	-	1	
7	19033-MBB-300	CUSHION, RADIATOR GRILLE .....	-	-	6	
8	19037-MCF-D30	GUIDE B, L. RADIATOR INNER ..	-	-	1	
9	19039-MCF-D30	MAT A, L. RADIATOR .....	-	-	1	
10	19049-MCF-D30	MAT B, L. RADIATOR .....	-	-	1	
11	19051-KA3-830	RUBBER, RADIATOR MOUNTING ...	-	-	2	
12	19052-MAC-680	COLLAR, RADIATOR MOUNTING ..	-	-	2	
13	19506-MCF-000	PIPE, WATER .....	-	-	1	
14	19507-MCF-000	HOSE F, RADIATOR .....	-	-	1	
15	19510-MCF-000	HOSE H, RADIATOR .....	-	-	1	
16	19516-ML7-691	CLAMP, HOSE, 24-32MM .....	-	-	4	
17	33712-KT1-670	RUBBER, TAILLIGHT .....	-	-	1	
18	64512-MCF-000	STAY C, L. UPPER COWL .....	-	-	1	
19	84706-163-670	COLLAR, TAILLIGHT MOUNTING ..	-	-	1	
20	90315-MK3-003	NUT, SERRATE, 5MM .....	-	-	4	
21	90485-MB2-000	WASHER, 6MM .....	-	-	1	
22	93401-06014-00	BOLT-WASHER, 6X14 .....	-	-	3	
23	94103-06700	WASHER, PLAIN, 6MM .....	-	-	2	
24	96001-06014-07	BOLT, FLANGE, 6X14 .....	-	-	1	
25	96001-06028-07	BOLT, FLANGE, 6X28 .....	-	-	1	
26	96001-06032-07	BOLT, FLANGE, 6X32 .....	-	-	2	

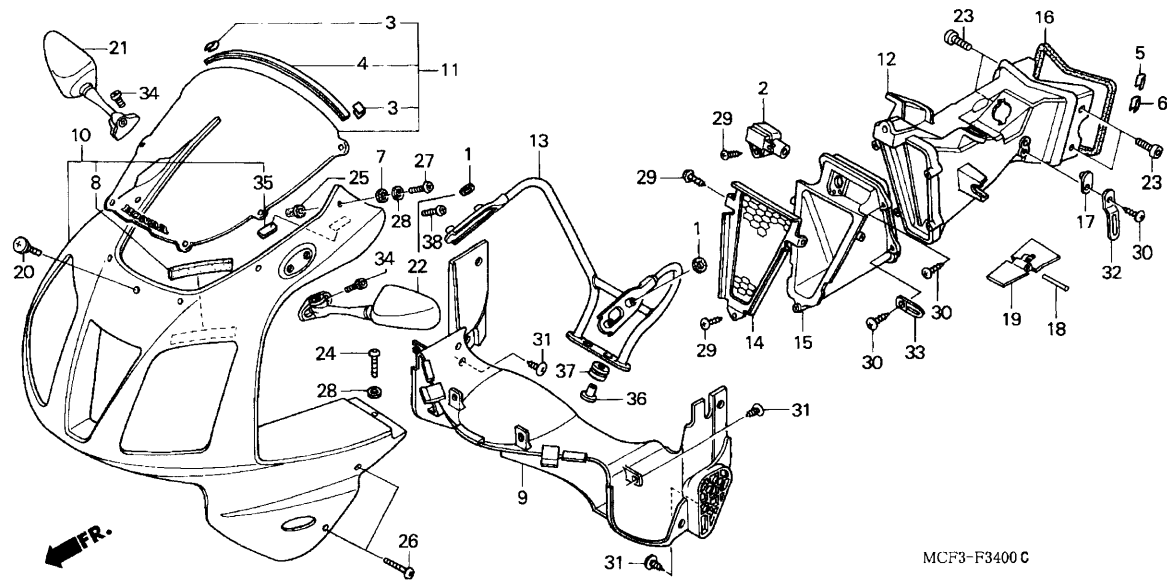
3



# F-34

# UPPER COWL

L 7



Service item	F.R.T.
MIRROR ASSY., L. BACK .....	0.1
(SAME TIME FOR TWO UNITS)	
.MIRROR ASSY., R. BACK	
STAY B, UPPER COWL .....	0.2
.WINDSCREEN SET	
COWL, INNER .....	0.4
.DUCT B, AIR INTAKE	
.FILTER, AIR INTAKE DUCT	
.SENSOR, MAP	
DUCT A, AIR INTAKE .....	0.5
.VALVE, AIR INTAKE DUCT	
COWL SET, UPPER .....	0.6

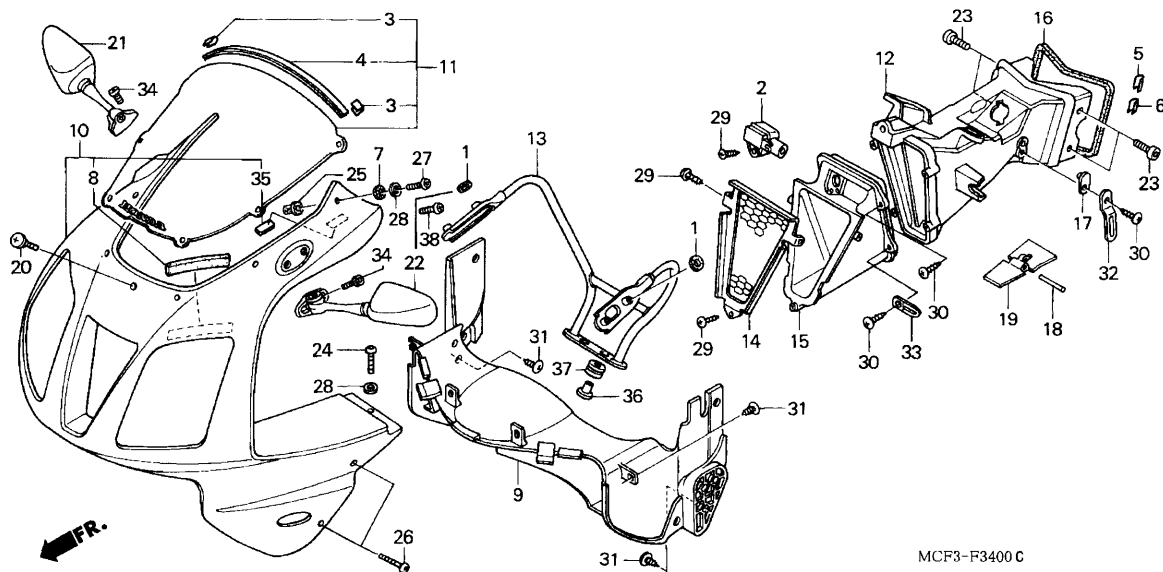
Ref. No.	Part No.	Description	Reqd. QTY			Serial No.	Parts catalogue code
			VTR1000SP	Y	1 2		
1	17627-467-000	RUBBER, FUEL TANK FR. ....	4	4	4		
2	37830-MCF-003	SENSOR, MAP .....	1	1	1		
3	64102-MCF-000	CLIP, SCREEN MOLDING .....	2	2	2		
4	64105-MCF-000	MOLDING, WIND SCREEN .....	1	1	-		
	64105-MCF-D30	.....	-	-	1		
5	64122-MCF-300	RUBBER A, PROTECTOR .....	1	1	1		
6	64123-MCF-300	RUBBER B, PROTECTOR .....	1	1	1		
7	64205-166-610	WASHER, SCREEN SETTING .....	6	6	6		
8	64219-MCF-300	SEAL, UPPER COWL .....	2	2	2		
9	64220-MCF-000ZB	COWL, INNER					
		*NH1*.....BLACK	1	1	1		
10	64230-MCF-000ZA	COWL SET, UPPER *TYPE1*(WL) -	1	1	-	-----	E,ED,F,U
	64230-MCF-670ZB	COWL SET, UPPER *TYPE2				-----	CM
		(WL)	1	1	1	-----	CM
	64230-MCF-D20ZA	COWL SET, UPPER *TYPE3*(WL) -	-	1	-	-----	E,ED,F,U
	64230-MCF-D30ZA	COWL SET, UPPER *TYPE1*(WL) -	-	-	1	-----	E,ED,F,U
11	64250-MCF-000ZA	WINDSCREEN SET *TYPE1*(WL) ..	1	1	-	-----	E,ED,F,U
	64250-MCF-000ZB	WINDSCREEN SET *TYPE2*(WL) ..	1	-	-	-----	CM
			-	1	-	-----	CM
	64250-MCF-D30ZA	WINDSCREEN SET *TYPE1*(WL) ..	-	-	1	-----	E,ED,F,U
	64250-MCF-D30ZB	WINDSCREEN SET *TYPE2*(WL) ..	-	-	1	-----	CM
12	64501-MCF-000	DUCT A, AIR INTAKE .....	1	1	1		
13	64502-MCF-000	STAY B, UPPER COWL .....	1	1	-		
	64502-MCF-D30	.....	-	-	1		
14	64505-MCF-000	FILTER, AIR INTAKE DUCT .....	1	1	1		
15	64506-MCF-000	DUCT B, AIR INTAKE .....	1	1	1		

3

F-34

UPPER COWL

L 8



MCF3-F3400 C

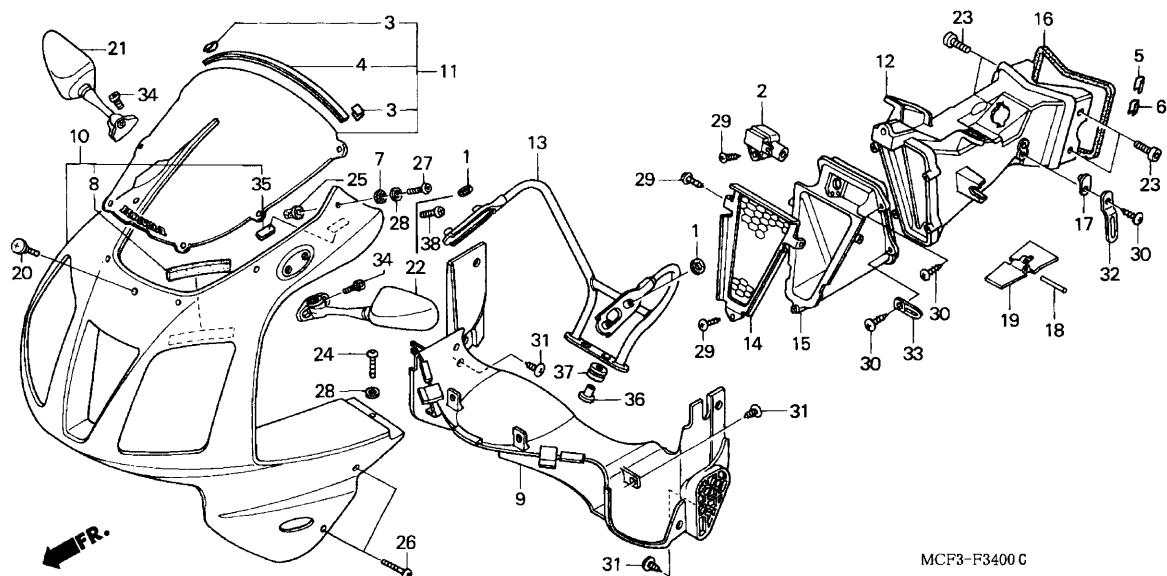
Ref. No.	Part No.	Description	Reqd. QTY		Serial No.	Parts catalogue code
			VTR1000SP			
			Y	1	2	
16	64521-MCF-000	PACKING, AIR INTAKE DUCT	1	1	1	
17	64524-MCF-000	CAP, AIR INTAKE VALVE SHAFT	1	1	1	
18	64525-MCF-000	SHAFT, AIR INTAKE DUCT VALVE	1	-	-	
			-	1	1	----- CM
	64525-MCF-D00	.....	-	1	1	----- E,ED,F,U
19	64526-MCF-000	VALVE, AIR INTAKE DUCT	1	1	1	
20	83641-MR7-000	BOLT, COWL SETTING (A)	1	1	1	
21	88110-MBW-003	MIRROR ASSY., R. BACK	1	-	-	
			-	1	-	----- 1M100331 CM
			-	1	-	----- 1M100553 U
			-	1	-	----- 1M102599 E,ED
	88110-MBW-013	.....	-	1	-	----- F
			-	1	-	----- 1M100332 CM
			-	1	-	----- 1M100554 U
			-	1	-	----- 1M102600 E,ED
			-	-	1	
22	88120-MBW-003	MIRROR ASSY., L. BACK	1	-	-	
			-	1	-	----- 1M100331 CM
			-	1	-	----- 1M100553 U
			-	1	-	----- 1M102599 E,ED
	88120-MBW-013	.....	-	1	-	----- F
			-	1	-	----- 1M100332 CM
			-	1	-	----- 1M100554 U
			-	1	-	----- 1M102600 E,ED
			-	-	1	
23	90071-MCF-000	BOLT, SOCKET FLANGE, 6X14	4	-	4	
			-	4	-	----- E,ED,F,U
	90071-MCF-670	BOLT, FLANGE SOCKET, 6X14	4	-	-	----- CM

3

# F-34

# UPPER COWL

L 9



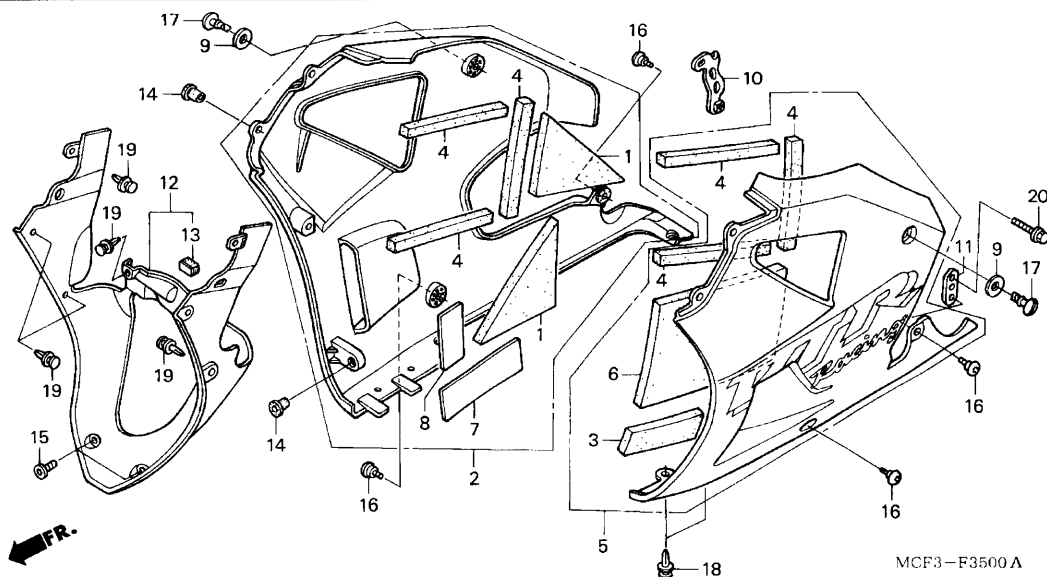
Ref. No.	Part No.	Description	Reqd. QTY			Serial No.	Parts catalogue code
			VTR1000SP	Y	1		
23)	90071-MCF-A20	BOLT, SOCKET FLANGE, 6X14 ...	-	-	4	-----	----- CM
24	90103-MBG-000	SCREW, PAN, 5X20 .....	2	2	2		
25	90111-KW3-003	NUT, COWL SETTING, 5MM .....	6	6	6		
26	90113-MCJ-000	SCREW, PAN, 5X15 .....	4	4	4		
27	90118-MBB-000	BOLT, SPECIAL, 5X16 .....	6	6	-		
28	90504-964-000	WASHER, THRUST, 5MM .....	8	8	8		
29	93903-24280	SCREW, TAPPING, 4X10 .....	4	4	4		
30	93903-24380	SCREW, TAPPING, 4X12 .....	5	5	5		
31	93903-25280	SCREW, TAPPING, 5X12 .....	6	6	6		
32	94591-24000	CLIP, WIRE, 2X40 .....	1	1	1		
33	94591-25000	CLIP, 2X50 .....	2	2	2		
34	96600-06016-07	BOLT, SOCKET, 6X16 .....	4	4	4		
35	77227-MBG-300	TAPE B, SINGLE SEAT COWL ....	2	2	2		
36	61104-422-000	COLLAR, SETTING .....	-	-	2		
37	64122-KV0-000	RUBBER, SIDE SHELTER (B) ....	-	-	2		
38	90109-MCJ-750	SCREW, TRUSS, 5X15 .....	-	-	6		

3

F-35

LOWER COWL(VTR1000SPY-1)

L10



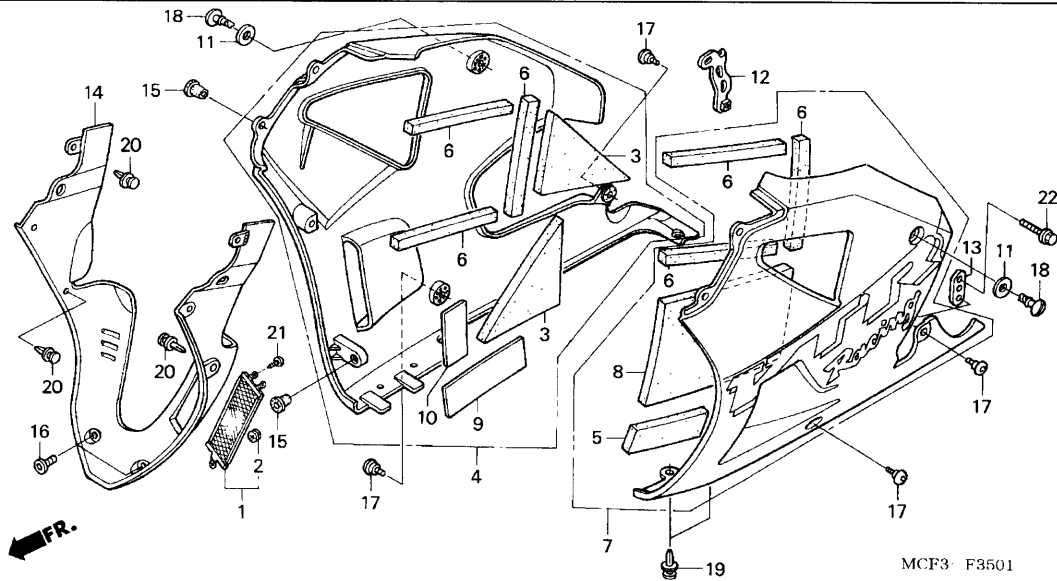
Service item	F.R.T.
COWL SET, L. LOWER .....	0.2
.COWL SET, R. LOWER	
.COWL, INNER LOWER	

Ref. No.	Part No.	Description	Reqd. QTY		Serial No.	Parts catalogue code
			VTR1000SP	Y 1 2		
1	64252-MT4-700	MAT B, MIDDLE COWL .....	2	2	-	
2	64400-MCF-000ZB	COWL SET, R. LOWER *TYPE1*(WL)	1	1	-	E,ED,F,U
	64400-MCF-670ZA	COWL SET, R. LOWER *TYPE2*(WL)	1	1	-	CM
	64400-MCF-D20ZA	.....	-	1	-	E,ED,F,U
3	64412-MCF-300	MAT A, LOWER COWL .....	1	1	-	
4	64413-MCF-300	SEAL A, LOWER COWL .....	6	6	-	
5	64450-MCF-000ZB	COWL SET, L. LOWER *TYPE1*(WL)	1	1	-	E,ED,F,U
	64450-MCF-670ZA	COWL SET, L. LOWER *TYPE2*(WL)	1	1	-	CM
	64450-MCF-D20ZA	.....	-	1	-	E,ED,F,U
6	64462-MCF-300	MAT B, L. LOWER COWL .....	1	1	-	
7	64464-MCF-300	GUARD A, HEAT .....	1	1	-	
8	64465-MCF-300	GUARD B, HEAT .....	1	1	-	
9	64509-MK4-000	RETAINER, PLASTIC .....	2	2	-	
10	64517-MCF-000	STAY C, R. LOWER COWL .....	1	1	-	
11	64518-MCF-000	STAY C, L. LOWER COWL .....	1	1	-	
12	64560-MCF-000ZB	COWL, INNER LOWER				
	*NH1*	.....BLACK	1	1	-	
13	64565-MCF-300	MAT, LOWER COWL INNER .....	1	1	-	
14	90111-KW3-003	NUT, COWL SETTING, 5MM .....	6	6	-	
15	90113-MCJ-000	SCREW, PAN, 5X15 .....	2	2	-	
16	90113-MM5-000	SCREW, PAN, 6X14 .....	4	4	-	
17	90641-MCF-000	STUD, 9X15 .....	2	2	-	
18	90683-MBW-003	CLIP, BODY .....	4	4	-	
19	91549-MW0-790ZA	CLIP, PANEL FIXING				
	*NH1*	.....BLACK	8	8	-	
20	96001-06014-07	BOLT, FLANGE, 6X14 .....	1	1	-	

F-35-1

LOWER COWL(VTR1000SP2)

L11



Service item	F.R.T.
COWL SET, L. LOWER .....	0.2
.COWL SET, R. LOWER	
.COWL, INNER LOWER	
.GRILLE COMP., OIL COOLER	

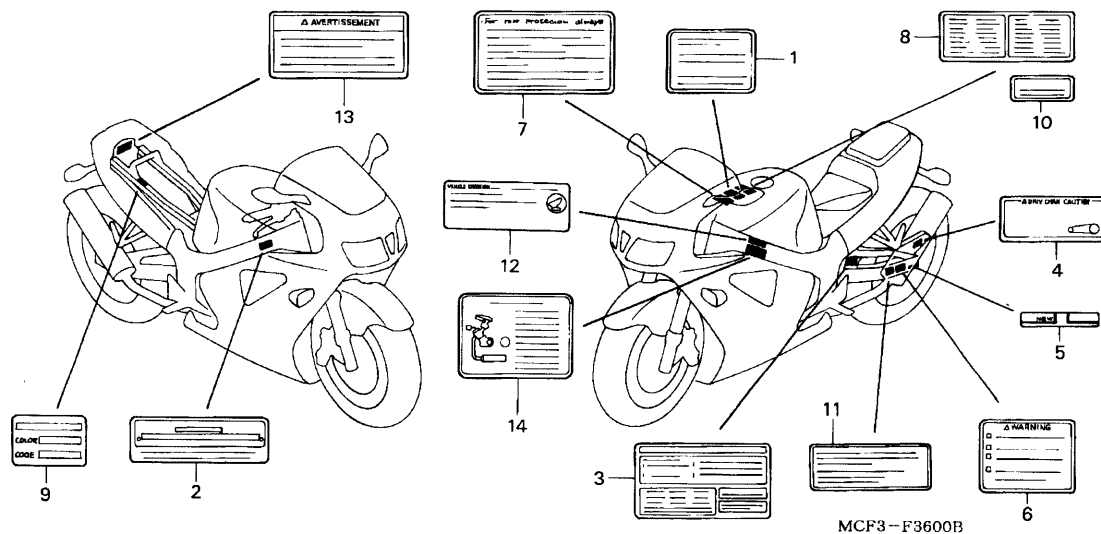
Ref. No.	Part No.	Description	Reqd. QTY		Serial No.	Parts catalogue code
			VTR1000SP			
			Y	1 2		
1	15604-MCF-D30	GRILLE COMP., OIL COOLER .....	-	-	1	
2	16613-883-610	GROMMET, CHOKE ROD .....	-	-	2	
3	64252-MT4-700	MAT B, MIDDLE COWL .....	-	-	2	
4	64400-MCF-A20ZA	COWL SET, R. LOWER *TYPE2*(WL)	-	-	1	----- CM
	64400-MCF-D30ZA	COWL SET, R. LOWER *TYPE1*(WL)	-	-	1	----- E,ED,F,U
5	64412-MCF-300	MAT A, LOWER COWL .....	-	-	1	
6	64413-MCF-300	SEAL A, LOWER COWL .....	-	-	6	
7	64450-MCF-A20ZA	COWL SET, L. LOWER *TYPE2*(WL)	-	-	1	----- CM
	64450-MCF-D30ZA	COWL SET, L. LOWER *TYPE1*(WL)	-	-	1	----- E,ED,F,U
8	64462-MCF-300	MAT B, L. LOWER COWL .....	-	-	1	
9	64464-MCF-300	GUARD A, HEAT .....	-	-	1	
10	64465-MCF-300	GUARD B, HEAT .....	-	-	1	
11	64509-MK4-000	RETAINER, PLASTIC .....	-	-	2	
12	64517-MCF-D30	STAY C, R. LOWER COWL .....	-	-	1	
13	64518-MCF-D30	STAY C, L. LOWER COWL .....	-	-	1	
14	64560-MCF-D30ZA	COWL, INNER LOWER *NH1*.....BLACK	-	-	1	
15	90111-KW3-003	NUT, COWL SETTING, 5MM .....	-	-	6	
16	90113-MCJ-000	SCREW, PAN, 5X15 .....	-	-	2	
17	90113-MM5-000	SCREW, PAN, 6X14 .....	-	-	4	
18	90641-MCF-000	STUD, 9X15 .....	-	-	2	
19	90683-MBW-003	CLIP, BODY .....	-	-	4	
20	91549-MW0-790ZA	CLIP, PANEL FIXING *NH1*.....BLACK	-	-	6	
21	93903-24280	SCREW, TAPPING, 4X10 .....	-	-	3	
22	96001-06014-07	BOLT, FLANGE, 6X14 .....	-	-	1	

3

F-36

CAUTION LABEL

L12



Service item F.R.T.  
NOT INFORMATION .....

Ref. No.	Part No.	Description	Reqd. QTY			Serial No.	Parts catalogue code
			VTR1000SP	Y	1		
1	87135-MCF-000	LABEL, FUEL CAUTION (ENGLISH/FRENCH/GERMAN)	1	1	1	-----	E,ED,F,U
	87135-MCF-670	LABEL, FUEL CAUTION (ENGLISH/FRENCH)	1	1	1	-----	CM
2	87501-MAS-415	PLATE, REGISTERED NUMBER	1	1	1	-----	E,ED,F
3	87505-MCF-620	LABEL, TIRE (FRENCH)	1	1	-	-----	F
	87505-MCF-640	LABEL, TIRE	1	1	-	-----	E,ED,U
	87505-MCF-720	LABEL, TIRE	1	1	-	-----	CM
	87505-MCF-890	LABEL, TIRE (FRENCH)	1	1	-	-----	CM
	87505-MCF-C20	LABEL, TIRE	-	-	1	-----	CM
	87505-MCF-D30	LABEL, TIRE	-	-	1	-----	E,ED,U
	87505-MCF-F20	LABEL, TIRE (FRENCH)	-	-	1	-----	F
	87505-MCF-W10	LABEL, TIRE	-	-	1	-----	CM
4	87507-KW2-980	LABEL, DRIVE CHAIN	1	1	-	-----	CM,E,ED,U
	87507-MZ1-620	MARK, DRIVE CHAIN CAUTION (FRENCH)	1	1	1	-----	CM
			1	1	-	-----	F
	87507-MCF-D30	LABEL, DRIVE CHAIN	-	-	1	-----	CM,E,ED,U
	87507-MCF-F20	LABEL, DRIVE CHAIN (FRENCH)	-	-	1	-----	CM,F
5	87508-MCF-000	LABEL, CHAIN ADJUSTER	1	1	1	-----	CM,E,ED,U
	87508-MCF-620	LABEL, CHAIN ADJUSTER (FRENCH)	1	1	1	-----	CM,F
6	87512-MCF-620	LABEL, ACCESSORIES & LOADING (FRENCH)	1	1	-	-----	F
	87512-MCF-640	LABEL, ACCESSORIES & LOADING	1	1	-	-----	E,ED,U
	87512-MCF-D30	LABEL, ACCESSORIES & LOADING	-	-	1	-----	E,ED,U
	87512-MCF-F20	LABEL, ACCESSORIES & LOADING (FRENCH)	-	-	1	-----	F

3

F-36

CAUTION LABEL

L13

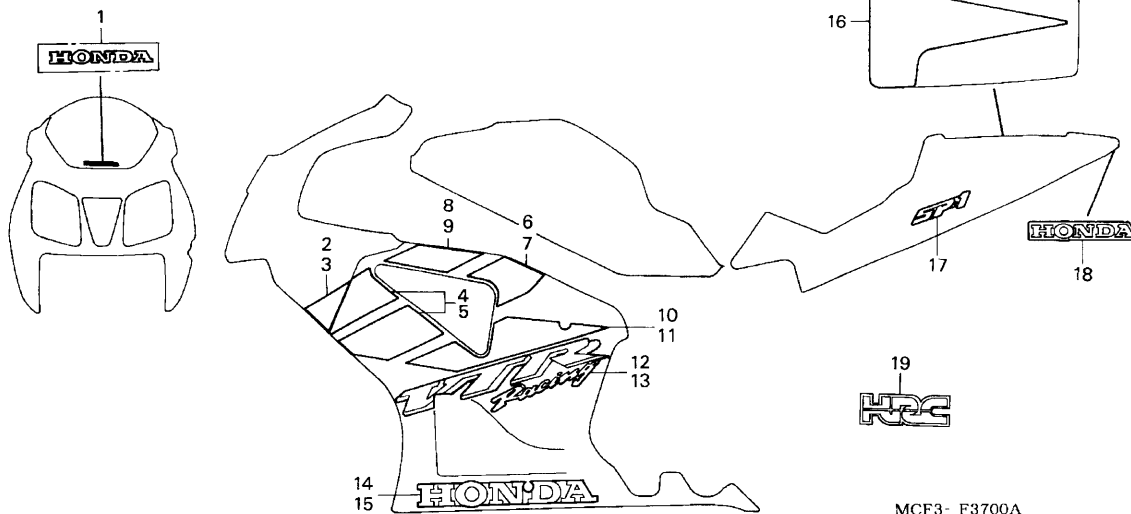
Ref. No.	Part No.	Description	Reqd. QTY			Serial No.	Parts catalogue code
			Y	1	2		
7	87560-MZ0-610	LABEL, DRIVE (ENGLISH/FRENCH/GERMANY)	1	-	-	-----	E,ED,F,U
			-	1	-	1M100550	U
			-	1	-	1M102377	E,ED
	87560-MZ0-670	LABEL, DRIVE .....	1	1	1	-----	CM
	87560-MZ0-740	LABEL, DRIVE (FRENCH) .....	1	-	-	-----	CM
			-	1	-	1M100346	CM
	87560-MZ0-611	LABEL, DRIVE (ENGLISH/FRENCH/GERMANY)	-	1	1	-----	F
			-	1	-	1M100551	U
			-	1	-	1M102378	E,ED
			-	-	1	-----	E,ED,U
	87560-MZ0-741	LABEL, DRIVE (FRENCH) .....	-	1	-	1M100347	CM
			-	-	1	-----	CM
8	87560-MZ1-620	LABEL, FRENCH TRANSLATION ...	1	1	1	-----	CM,F
9	87565-MCF-000ZA	LABEL, COLOR *TYPE1*(R258) ..	1	-	-	-----	E,ED,F,U
	87565-MCF-720ZA	LABEL, COLOR *TYPE2*(R258E) .	1	-	-	-----	CM
	87565-MCF-C00ZA	.....	-	1	-	-----	CM
	87565-MCF-D00ZA	LABEL, COLOR *TYPE1*(R258) ..	-	1	-	-----	E,ED,F,U
	87565-MCF-D00ZB	LABEL, COLOR *TYPE3*(NH146) .	-	1	-	-----	E,ED,F,U
	87565-MCF-C20ZA	LABEL, COLOR *TYPE1*(R258E) .	-	-	1	-----	CM
	87565-MCF-D30ZA	LABEL, COLOR *TYPE1*(NH196B)	-	-	1	-----	E,ED,F,U
10	87586-MB6-870ZF	LABEL, FUEL *YPEG* .....	1	1	1	-----	U
			1	-	-	-----	CM
	87586-MR6-670ZA	.....	1	1	1	-----	E
11	30590-GBF-851	LABEL, IGNITION NOISE .....	1	1	1	-----	CM
12	87139-463-670	LABEL, HIGH ALTITUDE .....	1	1	1	-----	CM
13	87512-KV6-630	LABEL, ACCESSORIES & LOADING (FRENCH)	1	1	1	-----	CM
	87512-MY3-670	LABEL, LOADING .....	1	1	1	-----	CM
14	87520-MCF-620	LABEL, TAMPER PROOF .....	-	1	1	-----	F

3

F-37

MARK/STRIPE(1)

L14



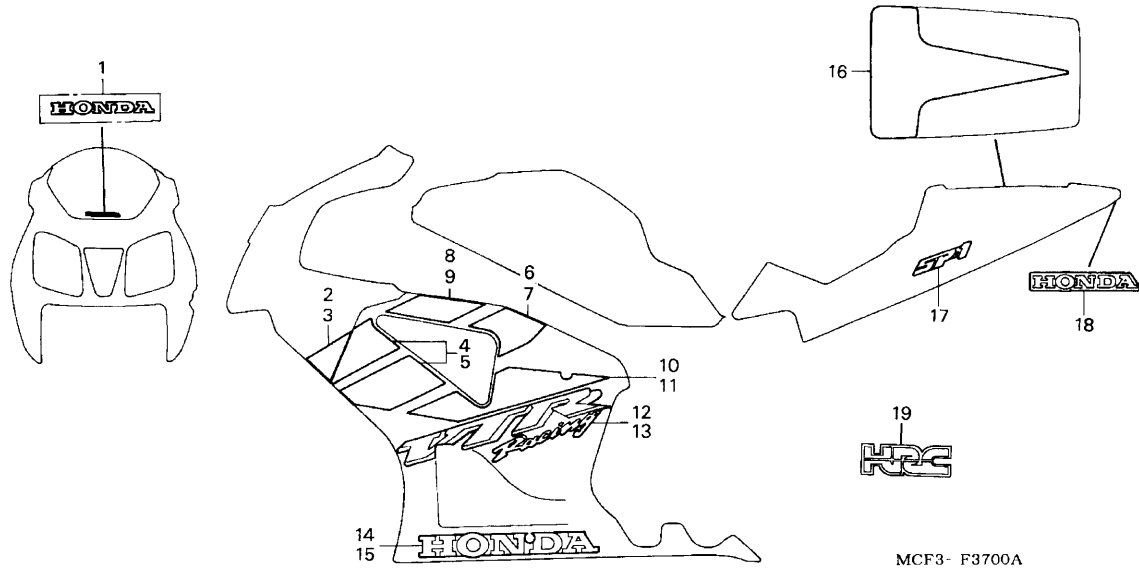
Service item F.R.T.  
NOT INFORMATION .....

MCF3- F3700A

Ref. No.	Part No.	Description	Reqd. QTY		Serial No.	Parts catalogue code
			VTR1000SP			
			Y	1 2		
1	64221-MCF-000ZA	MARK, WINDSCREEN *TYPE1*	----	----	E,ED,F,U	
	64221-MCF-000ZB	MARK, WINDSCREEN *TYPE2*	----	----	E,ED,F,U	
2	64231-MCF-000ZA	STRIPE, R. UPPER COWL *TYPE1*	1	1	E,ED,F,U	
3	64232-MCF-000ZA	STRIPE, L. UPPER COWL *TYPE1*	1	1	E,ED,F,U	
4	64271-MCF-000ZA	STRIPE A, R. LOWER COWL *TYPE1*	1	1	E,ED,F,U	
5	64272-MCF-000ZA	STRIPE A, L. LOWER COWL *TYPE1*	1	1	E,ED,F,U	
6	64273-MCF-000ZA	STRIPE B, R. LOWER COWL *TYPE1*	1	1	E,ED,F,U	
7	64274-MCF-000ZA	STRIPE B, L. LOWER COWL *TYPE1*	1	1	E,ED,F,U	
8	64275-MCF-000ZA	STRIPE C, R. LOWER COWL *TYPE1*	1	1	E,ED,F,U	
9	64276-MCF-000ZA	STRIPE C, L. LOWER COWL *TYPE1*	1	1	E,ED,F,U	
10	64277-MCF-000ZA	STRIPE D, R. LOWER COWL *TYPE1*	1	1	E,ED,F,U	
11	64278-MCF-000ZA	STRIPE D, L. LOWER COWL *TYPE1*	1	1	E,ED,F,U	
12	64281-MCF-000ZA	MARK A, R. LOWER COWL *TYPE1*	1	1	E,ED,F,U	
	64281-MCF-D20ZA	MARK A, R. LOWER COWL *TYPE2*	-	1	E,ED,F,U	
13	64282-MCF-000ZA	MARK A, L. LOWER COWL *TYPE1*	1	1	E,ED,F,U	
	64282-MCF-D20ZA	MARK A, L. LOWER COWL *TYPE2*	-	1	E,ED,F,U	
14	64283-MCF-000ZA	MARK B, R. LOWER COWL *TYPE1*	1	1	E,ED,F,U	
	64283-MCF-D20ZA	MARK B, R. LOWER COWL *TYPE3*	-	1	E,ED,F,U	
15	64284-MCF-000ZA	MARK B, L. LOWER COWL *TYPE1*	1	1	E,ED,F,U	

3





MCF3- F3700A

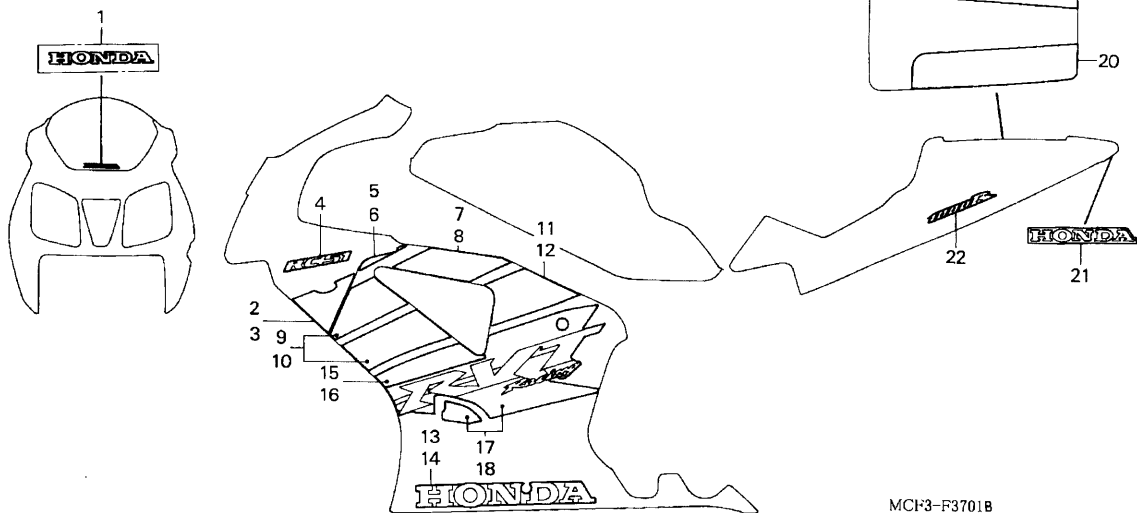
Ref. No.	Part No.	Description	Reqd. QTY		Serial No.	Parts catalogue code
			VTR1000SP	Y 1 2		
15)	64284-MCF-D20ZA	MARK B, L. LOWER COWL *TYPE3*	-	1	- - - - -	E,ED,F,U
16	77226-MCF-000ZA	STRIPE, SEAT COWL PANEL *TYPE1*	1	1	- - - - -	E,ED,F,U
17	77233-MCF-000ZA	MARK B, SEAT COWL *TYPE1* ...	2	2	- - - - -	E,ED,F,U
	77233-MCF-D20ZA	MARK B, SEAT COWL *TYPE2* ...	-	2	- - - - -	E,ED,F,U
18	77235-MCF-000ZA	MARK C, SEAT COWL *TYPE1* ...	1	1	- - - - -	E,ED,F,U
	77235-MCF-D20ZA	MARK C, SEAT COWL *TYPE3* ...	-	1	- - - - -	E,ED,F,U
19	83701-MCF-000	MARK (HRC) .....	3	3	- - - - -	E,ED,F,U



F-37-1

MARK/STRIPE(2)

L16



Service item F.R.T.  
NOT INFORMATION .....

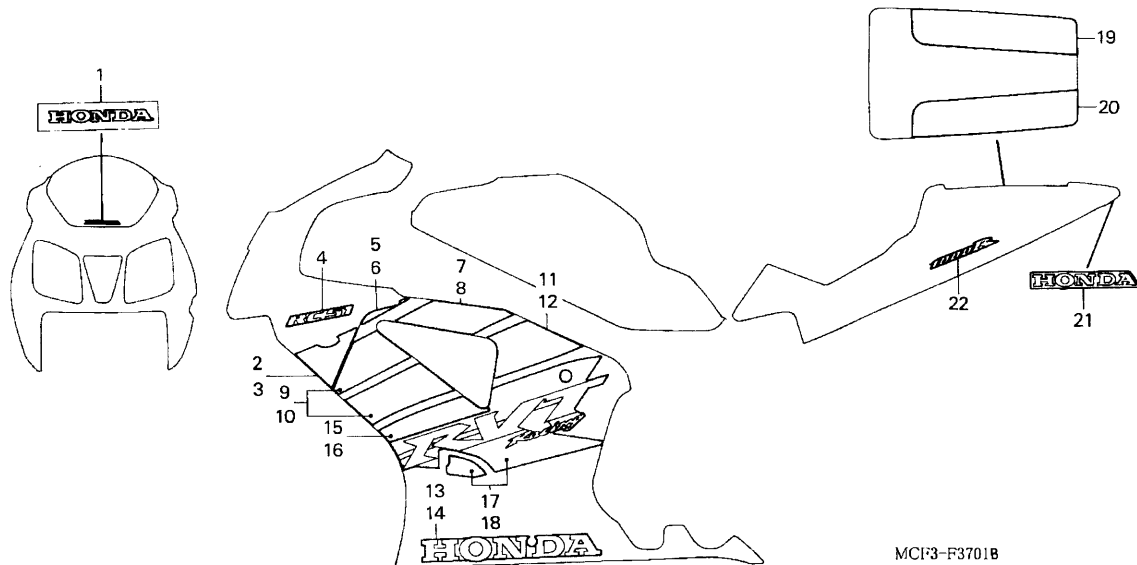
Ref. No.	Part No.	Description	Reqd. QTY			Serial No.	Parts catalogue code
			VTR1000SP	Y	2		
1	64221-MCF-000ZB	MARK, WINDSCREEN *TYPE2* ....	1	1	-	-----	CM
	64221-MCF-D30ZB	MARK, WIND SCREEN *TYPE2* ...	-	-	1	-----	CM
2	64231-MCF-670ZA	STRIPE, R. UPPER COWL *TYPE2*	1	1	1	-----	CM
3	64232-MCF-670ZA	STRIPE, L. UPPER COWL *TYPE2*	1	1	1	-----	CM
4	64233-MCF-670ZA	MARK, UPPER COWL *TYPE2* ....	2	2	2	-----	CM
5	64271-MCF-670ZA	STRIPE A, R. LOWER COWL					
		*TYPE2*	1	1	1	-----	CM
6	64272-MCF-670ZA	STRIPE A, L. LOWER COWL					
		*TYPE2*	1	1	1	-----	CM
7	64273-MCF-670ZA	STRIPE B, R. LOWER COWL					
		*TYPE2*	1	1	1	-----	CM
8	64274-MCF-670ZA	STRIPE B, L. LOWER COWL					
		*TYPE2*	1	1	1	-----	CM
9	64275-MCF-670ZA	STRIPE C, R. LOWER COWL					
		*TYPE2*	1	1	1	-----	CM
10	64276-MCF-670ZA	STRIPE C, L. LOWER COWL					
		*TYPE2*	1	1	1	-----	CM
11	64277-MCF-670ZA	STRIPE D, R. LOWER COWL					
		*TYPE2*	1	1	1	-----	CM
12	64278-MCF-670ZA	STRIPE D, L. LOWER COWL					
		*TYPE2*	1	1	1	-----	CM
13	64283-MCF-670ZA	MARK B, R. LOWER COWL *TYPE2*	1	1	-	-----	CM
14	64284-MCF-670ZA	MARK B, L. LOWER COWL *TYPE2*	1	1	-	-----	CM
15	64285-MCF-670ZA	STRIPE E, R. LOWER COWL					
		*TYPE2*	1	1	1	-----	CM

3

F-37-1

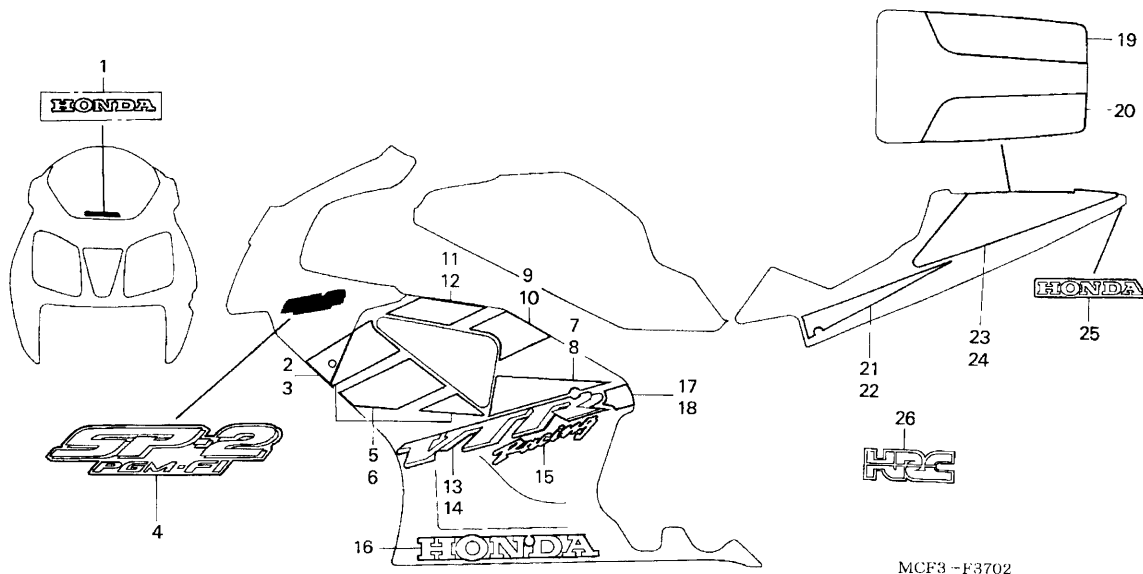
MARK/STRIPE(2)

M 1



Ref. No.	Part No.	Description	Reqd. QTY			Serial No.	Parts catalogue code
			VTR1000SP	Y	1		
16	64286-MCF-670ZA	STRIPE E, L. LOWER COWL *TYPE2*	1	1	1	-----	CM
17	64287-MCF-670ZA	STRIPE F, R. LOWER COWL *TYPE2*	1	1	1	-----	CM
18	64288-MCF-670ZA	STRIPE F, L. LOWER COWL *TYPE2*	1	1	1	-----	CM
19	77227-MCF-670ZA	STRIPE, R. SEAT COWL PANEL *TYPE2*	1	1	1	-----	CM
20	77228-MCF-670ZA	STRIPE, L. SEAT COWL PANEL *TYPE2*	1	1	1	-----	CM
21	77235-MCF-670ZA	MARK C, SEAT COWL *TYPE2* ...	1	1	-	-----	CM
	77235-MCF-A20ZA	.....	-	-	1	-----	CM
22	77237-MCF-670ZA	STRIPE, R. SEAT COWL *TYPE2*	2	2	2	-----	CM

3



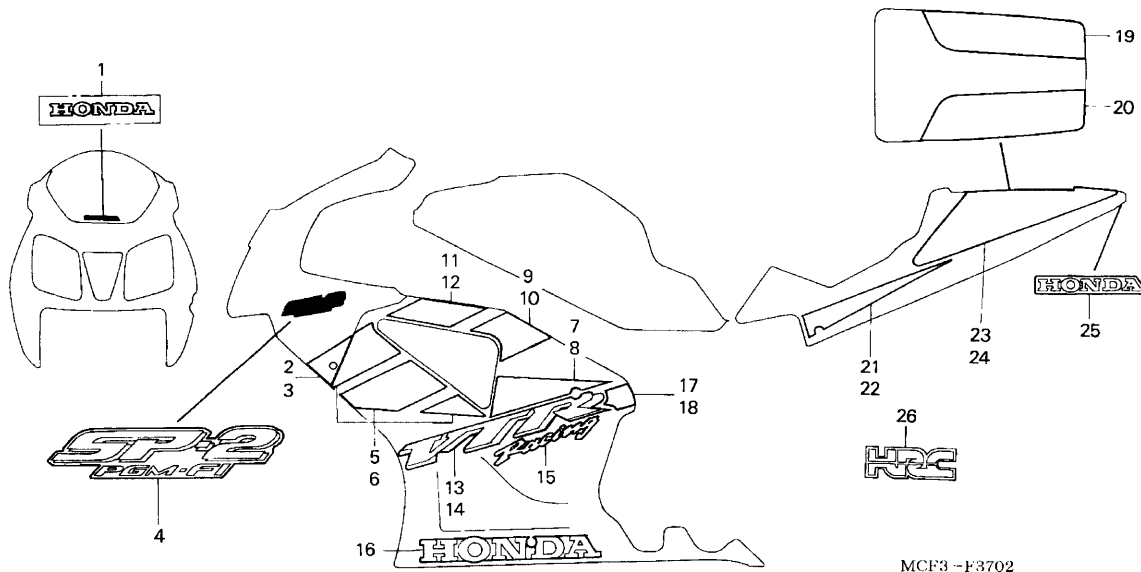
Service item F.R.T.

NOT INFORMATION .....

MCF3 -F3702

Ref. No.	Part No.	Description	Reqd. QTY		Serial No.	Parts catalogue code
			VTR1000SP	Y 1 2		
1	64221-MCF-D30ZA	MARK, WIND SCREEN *TYPE1* ...	-	-	1	----- E,ED,F,U
2	64231-MCF-D30ZA	STRIPE, R. UPPER COWL *TYPE1*	-	-	1	----- E,ED,F,U
3	64232-MCF-D30ZA	STRIPE, L. UPPER COWL *TYPE1*	-	-	1	----- E,ED,F,U
4	64233-MCF-D30ZA	MARK, UPPER COWL *TYPE1* ....	-	-	2	----- E,ED,F,U
5	64271-MCF-D30ZA	STRIPE A, R. LOWER COWL *TYPE1*	-	-	1	----- E,ED,F,U
6	64272-MCF-D30ZA	STRIPE A, L. LOWER COWL *TYPE1*	-	-	1	----- E,ED,F,U
7	64273-MCF-D30ZA	STRIPE B, R. LOWER COWL *TYPE1*	-	-	1	----- E,ED,F,U
8	64274-MCF-D30ZA	STRIPE B, L. LOWER COWL *TYPE1*	-	-	1	----- E,ED,F,U
9	64275-MCF-D30ZA	STRIPE C, R. LOWER COWL *TYPE1*	-	-	1	----- E,ED,F,U
10	64276-MCF-D30ZA	STRIPE C, L. LOWER COWL *TYPE1*	-	-	1	----- E,ED,F,U
11	64277-MCF-D30ZA	STRIPE D, R. LOWER COWL *TYPE1*	-	-	1	----- E,ED,F,U
12	64278-MCF-D30ZA	STRIPE D, L. LOWER COWL *TYPE1*	-	-	1	----- E,ED,F,U
13	64279-MCF-D30ZA	MARK A, R. LOWER COWL *TYPE1*	-	-	1	----- E,ED,F,U
14	64280-MCF-D30ZA	MARK A, L. LOWER COWL *TYPE1*	-	-	1	----- E,ED,F,U
15	64281-MCF-D30ZA	MARK B, LOWER COWL *TYPE1* ..	-	-	2	----- E,ED,F,U
16	64282-MCF-D30ZA	MARK C, LOWER COWL *TYPE1* ..	-	-	2	----- E,ED,F,U
17	64283-MCF-D30ZA	STRIPE E, R. LOWER COWL *TYPE1*	-	-	1	----- E,ED,F,U

3



MCF3 -F3702

Ref. No.	Part No.	Description	Reqd. QTY		Serial No.	Parts catalogue code
			VTR1000SP	Y 1 2		
18	64284-MCF-D30ZA	STRIPE E, L. LOWER COWL *TYPE1*	-	-	1	----- E,ED,F,U
19	77227-MCF-D30ZA	STRIPE, R. SEAT COWL PANEL *TYPE1*	-	-	1	----- E,ED,F,U
20	77228-MCF-D30ZA	STRIPE, L. SEAT COWL PANEL *TYPE1*	-	-	1	----- E,ED,F,U
21	77233-MCF-D30ZA	STRIPE A, R. SEAT COWL *TYPE1*	-	-	1	----- E,ED,F,U
22	77234-MCF-D30ZA	STRIPE A, L. SEAT COWL *TYPE1*	-	-	1	----- E,ED,F,U
23	77235-MCF-D30ZA	STRIPE B, R. SEAT COWL *TYPE1*	-	-	1	----- E,ED,F,U
24	77236-MCF-D30ZA	STRIPE B, L. SEAT COWL *TYPE1*	-	-	1	----- E,ED,F,U
25	77237-MCF-D30ZA	MARK, SEAT COWL *TYPE1* .....	-	-	1	----- E,ED,F,U
26	83701-MCF-000	MARK (HRC) .....	-	-	3	----- E,ED,F,U



# PART NO. INDEX

N 1

Part Number	Address	Page	Ref.	Part Number	Address	Page	Ref.	Part Number	Address	Page	Ref.	Part Number	Address	Page	Ref.
06000								14000							
06113-MCF-010	G2	69	1	12208-MBB-003	E4	39	3	14942-MBB-000	E8	43	18	16118-MCF-003	F13	64	5
06113-MCF-651	G2	69	1	12209-MBB-003	E6	41	2	14943-MBB-000	E8	43	18	16118-MCF-D31	F14	65	6
06114-MCF-000	G2	69	2	12251-MCF-003	E2	37	4	14944-MBB-000	E8	43	18	16120-MCF-003	F11	62	7
06115-MCF-000	G3	70	1		G2	69	1	14945-MBB-000	E8	43	18	16120-MCF-013	F14	65	7
06116-MCF-000	G3	70	2	12252-MCF-003	E4	39	4	14946-MBB-000	E8	43	18	16121-MCF-003	F13	64	6
06164-MCF-003	F11	62	1		G2	69	1	14947-MBB-000	E8	43	18		F16	67	5
06164-MCF-671	F11	62	1	12310-MCF-000	E1	36	1	14948-MBB-000	E8	43	18	16129-MCF-003	F11	62	8
06405-MCF-P00	J9	111	1	12310-MCF-650	E1	36	12	14949-MBB-000	E8	43	18	16129-MCF-013	F14	65	8
	J11	113	1	12320-MCF-000	E1	36	2	14950-MBB-000	E8	43	18	16130-MCF-003	F11	62	9
06405-MCF-P10	J9	111	1	12321-MCF-650	E1	36	13	14951-MBB-000	E8	43	18	16130-MCF-013	F14	65	9
	J11	113	1	12341-MAT-750	E1	36	3					16169-MCF-003	F13	64	7
06405-MCJ-000	J11	113	1	12391-MCF-000	E1	36	4	15000				16169-MCF-D31	F16	67	6
06406-MCF-000	J10	112	30		G2	69	1	15100-MCF-000	F1	52	2	16195-MCF-003	F11	62	10
	J11	113	2	12395-MAT-750	E2	37	5	15131-MAS-003	E11	46	1	16195-MCF-D31	F14	65	10
06410-MCF-000	I5	91	1		E4	39	5	15134-KE8-010	F1	52	3	16196-MCF-003	F11	62	11
	I7	93	1	12396-MCF-000	G2	69	1	15140-415-003	F1	52	4	16196-MCF-D31	F14	65	11
06451-443-405	I4	90	1		E1	36	5	15150-MCF-000	F1	52	5	16197-MCF-003	F11	62	12
06451-961-405	H14	84	2		G2	69	1	15154-MM5-000	F1	52	6	16211-MCF-640	E2	37	6
06451-MA7-405	H14	84	1	13000				14902-MBB-000	E6	41	18		E4	39	6
06451-MCJ-751	H14	84	2					14903-MBB-000	E6	41	18	16211-MCF-D30	E2	37	6
06451-MCZ-006	H14	84	1	13011-MCF-305	F5	56	1	14904-MBB-000	E6	41	18		E4	39	6
06455-MBW-E11	H14	84	3	13021-MCF-305	F5	56	1	14905-MBB-000	E6	41	18	16215-MV4-000	F11	62	13
06455-MCF-006	H14	84	3	13031-MCF-305	F5	56	1	14906-MBB-000	E6	41	18		F14	65	12
				13101-MCF-000	F5	56	2	14907-MBB-000	E6	41	18	16218-MCF-000	E2	37	7
				13102-MCF-305	F5	56	2	14908-MBB-000	E6	41	18		E4	39	7
				13103-MCF-305	F5	56	2	14909-MBB-000	E6	41	18	16219-MCF-000	E2	37	8
11000				13105-MCF-000	F5	56	3	14910-MBB-000	E7	42	18		E4	39	8
11000-MCF-000	F3	54	1	13106-MCF-305	F5	56	3	14911-MBB-000	E7	42	18	16219-MCF-670	E2	37	8
11000-MCF-D30	F4	55	29	13107-MCF-305	F5	56	3	14912-MBB-000	E7	42	18		E4	39	8
11104-MWO-000	F3	54	2	13111-166-000	E13	48	1	14913-MBB-000	E7	42	18	16222-MV4-300	E2	37	9
11210-MCF-000	F1	52	1	13111-MCF-000	F5	56	4	14914-MBB-000	E7	42	18		E4	39	9
11330-MCF-000	E9	44	1	13111-MCF-D30	F5	56	4	14915-MBB-000	E7	42	18	16400-MCF-003	F11	62	14
11332-MCF-000	E9	44	2	13210-MCF-000	F5	56	5	14916-MBB-000	E7	42	18	16400-MCF-671	F11	62	14
11340-MCF-000	E15	50	1	13210-MCF-D30	F5	56	5	14917-MBB-000	E7	42	18	16400-MCF-A21	F14	65	13
11344-MBO-000	H11	81	8	13213-MCF-003	F5	56	6	14918-MBB-000	E7	42	18	16400-MCF-D31	F14	65	13
11344-MCF-000	E15	50	2	13220-MCF-000	F5	56	7	14919-MBB-000	E7	42	18	16401-MCF-003	F11	62	15
	G3	70	1	13220-MCF-D30	F5	56	7	14920-MBB-000	E7	42	18	16401-MCF-671	F11	62	15
11350-MCF-000	E9	44	3	13224-MCF-003	F5	56	8	14921-MBB-000	E7	42	18	16401-MCF-A21	F14	65	14
11356-MCF-000	E9	44	4	13225-MCF-003	F5	56	8	14922-MBB-000	E7	42	18	16401-MCF-D31	F14	65	14
	G3	70	1	13226-MCF-003	F5	56	8	14923-MBB-000	E7	42	18	16450-MCJ-752	F14	65	15
11365-MBT-000	E15	50	3	13227-MCF-003	F5	56	8	14924-MBB-000	E7	42	18	16472-MCF-003	F11	62	16
11636-MCF-000	E14	49	1	13236-MCF-003	F6	57	9	14925-MBB-000	E7	42	18	16472-MCW-000	F14	65	16
	G3	70	1	13237-MCF-003	F6	57	9	14926-MBB-000	E7	42	18	16473-P7A-004	F14	65	17
11640-MCF-000	E14	49	2	13238-MCF-003	F6	57	9	14927-MBB-000	E7	42	18	16473-PD6-000	F11	62	17
				13239-MCF-003	F6	57	9	14928-MBB-000	E7	42	18	16610-MCF-003	F11	62	18
				13244-MCF-003	F5	56	9	14929-MBB-000	E7	42	18	16610-MCF-D31	F14	65	18
				13255-MCF-003	F5	56	8	14930-MBB-000	E7	42	18	16613-883-610	L11	145	2
				13256-MCF-003	F6	57	9	14931-MBB-000	E7	42	18	16620-MCF-003	F11	62	19
				13257-MCF-003	F6	57	9	14932-MCF-000	E7	42	18	16620-MCF-D31	F14	65	19
12000				13310-MCF-000	F6	57	10	14933-MBB-000	E7	42	18	16701-MCF-003	I11	97	1
12010-MCF-000	E2	37	1	13310-MCF-D30	F6	57	10	14934-MBB-000	E7	42	18	16711-MCF-000	I11	97	2
12010-MCF-650	E2	37	1	13313-MCF-003	F6	57	11	14935-MBB-000	E7	42	18	16713-MCF-000	I11	97	3
12010-MCF-D30	E2	37	1	13314-MCF-003	F6	57	11	14936-MBB-000	E7	42	18	16714-MBG-000	I11	97	4
12010-MCF-U20	E2	37	1	13315-MCF-003	F6	57	11	14937-MBB-000	E7	42	18	16716-MCF-000	I11	97	5
12020-MCF-000	E4	39	1	13316-MCF-003	F6	57	11	14938-MBB-000	E7	42	18	16720-MCF-003	I11	97	6
12020-MCF-650	E4	39	1	13317-MCF-003	F6	57	11	14939-MBB-000	E8	43	18	16730-MCF-003	I11	97	7
12020-MCF-D30	E4	39	1					14940-MBB-000	E8	43	18	16740-MCF-003	F11	62	20
12020-MCF-U20	E4	39	1					14941-MBB-000	E8	43	18		F14	65	20
12204-MBB-305	E2	37	2									16081-MCF-003	F11	62	6
	E4	39	2									16081-MCF-D31	F14	65	5
12205-MCF-305	E2	37	3									16900-MBG-013	I11	97	8

# PART NO. INDEX

Part Number	Address	Page	Ref.	Part Number	Address	Page	Ref.	Part Number	Address	Page	Ref.	Part Number	Address	Page	Ref.
16968-MC7-000	G1	68	1	17520-MCF-670ZA I9		95	6		L4	138	1	22885-MB0-006	H6	76	2
				17520-MCF-A20ZA I9		95	6		L6	140	2	22886-MAT-E01	H6	76	3
17000				17520-MCF-D20ZA I9		95	6	19015-MCF-003	L1	135	4	22887-MBB-006	H6	76	4
				17520-MCF-D30ZA I9		95	6	19015-MCF-D31	L6	140	3	22888-MR7-006	H6	76	5
17179-MCF-003	F12	63	21	17525-MCF-003 I11		97	9	19020-MCF-003	L1	135	5	22889-MR7-006	H6	76	6
	F14	65	21	17527-MCF-003 I11		97	10	19020-MCF-D31	L4	138	2	22890-MCF-006	H6	76	7
17201-MG9-000	F12	63	22	17543-MBG-000 I9		95	7		L6	140	4	22890-MR7-006	H6	76	8
	F14	65	22	17544-MBG-000 I9		95	8	19030-MCF-003	L1	135	6	22900-MCF-000	H6	76	9
17216-HA7-670	K7	125	17	17551-MCF-000 G1		68	4	19030-MCF-D31	L4	138	3	22910-MCF-000	H6	76	10
17221-MCF-000	I14	100	1	17551-MCF-D30 G1		68	14		L6	140	5				
17221-MCF-670	I14	100	1	17574-MCF-000 I11		97	11	19032-MCF-000	L1	135	7	19503-MCF-000	L2	136	25
17221-MCF-D00	I14	100	1	17611-ML7-000 I9		95	9	19032-MCF-D00	L3	137	46	19504-KY1-003	F10	61	5
17221-MCF-D31	I14	100	1	17620-MCF-D30 I9		95	10		L4	138	4				
17224-MCF-000	I14	100	2	17620-MT4-010 I9		95	10		L6	140	6	19504-MCF-000	L2	136	26
17225-MCF-000	I14	100	3	17620-MT4-020 I9		95	10	19033-MBB-300	L1	135	8				
17226-MCF-000	I14	100	4	17627-467-000 L7		141	1		L4	138	5	19506-MCF-000	L2	136	27
17229-MCF-000	I14	100	5	17910-MCF-000 H3		73	1		L6	140	7				
17229-MCF-D30	I14	100	5	17910-MCF-D31 H3		73	1	19035-MCF-D31	L4	138	6	19507-MCF-000	L2	136	28
17231-MCF-000	I14	100	6	17920-MCF-000 H3		73	2	19036-MCF-000	L1	135	9				
17232-MCF-300	I15	101	23	17920-MCF-D31 H3		73	2	19036-MCF-D30	L4	138	7	19508-MBT-610	L6	140	14
17233-MCF-300	I15	101	24	17950-MCF-000 H3		73	3	19037-GEE-710	L4	138	8				
17233-MCF-D31	I15	101	24	17951-MCF-000 E15		50	4	19037-MCF-000	L1	135	10	19509-MCF-000	F10	61	6
17235-MCF-000	I14	100	7					19037-MCF-D30	L6	140	8	19510-MCF-000	L2	136	30
17235-MCF-D30	I14	100	7	18000				19038-MCF-300	L1	135	11				
17237-MCF-000	I14	100	8					19038-MCF-D30	L4	138	9	19516-GAG-003	L2	136	31
17237-MCF-620	I14	100	8	18150-MCF-003 J2		104	1	19038-ME9-000	L1	135	12				
17237-MCF-D31	I14	100	8	18150-MCF-D31 J2		104	1		L4	138	10	19516-ML7-691	L2	136	32
17237-MCF-F20	I14	100	8	18292-MCF-003 G2		69	1	19039-MCF-300	L1	135	13				
17238-MCF-000	I16	102	1	18292-MCF-D30 J2		104	2	19039-MCF-D30	L6	140	9				
	J1	103	1	18300-MCF-003 J2		104	3	19042-MCF-000	L1	135	14	19517-ML7-691	F10	61	7
17239-MCF-000	I14	100	9	18300-MCF-D31 J2		104	3	19043-MCF-300	L1	135	15	19523-MCF-000	F10	61	8
17239-MCF-620	I14	100	9	18375-MCF-003 J2		104	4	19045-GBF-700	L1	135	16	19526-MCF-000	F10	61	9
17239-MCF-D31	I14	100	9	18375-MCF-D30 J2		104	4	19046-PAA-A00	L4	138	11	19528-MCF-000	F10	61	10
17239-MCF-F20	I14	100	9	18376-MCF-003 J2		104	5	19048-MCF-D30	L4	138	12				
17245-MCF-300	I15	101	25	18376-MCF-D30 J2		104	5	19049-MCF-D30	L6	140	10	22000			
17246-MCF-300	I15	101	26	18393-MCF-003 G2		69	1	19051-KA3-830	K14	132	6				
17247-MCF-000	I14	100	10	18400-MCF-003 J2		104	7		K15	133	9	22100-MCF-000	E11	46	2
17248-MCF-000	I14	100	11	18400-MCF-D31 J2		104	8		L1	135	17	22100-MCF-D30	E11	46	2
17249-MCF-000	I14	100	12	18430-MCF-003 J3		105	22	19052-MAC-680	K15	133	10	22116-MCF-000	E11	46	3
17256-MCF-000	I14	100	13	18431-MCF-003 J2		104	9		L4	138	13	22120-MCF-000	E11	46	4
17258-MCF-670	I15	101	27	18432-MCF-003 J2		104	10		L6	140	11	22125-MAT-000	E11	46	24
17259-MCF-670	I15	101	28	18532-MCF-670 G1		68	5		L6	140	12	22201-MAT-000	E11	46	6
17263-MCF-000	K10	128	1	18601-MCF-003 E1		36	6	19052-MCF-000	K14	132	7	22201-MAT-E00	E11	46	5
17263-MCF-D30	K12	130	1	18612-MBB-630 E1		36	7	19055-MV9-881	L1	135	19	22202-MAT-000	E12	47	25
17264-MCF-000	K10	128	2	18651-MCF-000 G1		68	6	19060-MCF-D31	L4	138	15	22321-MAT-000	E11	46	7
17264-MCF-D00	K10	128	2	18651-MCF-D30 G1		68	15	19101-MCF-000	L1	135	21	22350-MCF-000	E11	46	8
17359-419-670	I9	95	1	18652-MCF-000 G1		68	7		L4	138	16	22366-MS2-611	E11	46	9
17365-MCF-000	I14	100	14	18653-MCF-000 G1		68	8		L4	138	16	22401-MCF-000	E11	46	10
17369-KB4-670	G1	68	2	18654-MCF-000 F10		61	1	19103-KE8-000	H11	81	9	22402-MAT-000	E12	47	26
17375-MCF-000	G1	68	3					19103-ML7-000	I9	95	11	22850-MBB-000	E11	46	11
17414-PC6-660	I16	102	2	19000				19109-KPC-640	L2	136	22	22860-MT7-000	E15	50	5
	J1	103	2						L4	138	17	22862-MW7-650	E15	50	6
17506-MB1-000	I9	95	2	19006-MCJ-003	L1	135	1		L4	138	17				
17513-MCF-300	I9	95	3	19010-MCF-003	L1	135	2	19109-MJ4-305	L2	136	22	22863-MJ8-003	E15	50	7
17514-MCF-300	I9	95	4	19010-MCF-D31	L6	140	1	19210-MCF-000	E10	45	1	22864-MT7-006	E15	50	8
17516-MCF-000	I9	95	5	19014-KEA-003	K15	133	8	19217-MAL-300	E10	45	2	22865-MJ8-003	E15	50	9
17516-MCF-D00	I9	95	5					19220-MCF-000	E10	45	3	22866-MF2-711	E15	50	10
17520-MCF-000ZB	I9	95	6					19226-MCF-000	E10	45	4	22884-MAT-E01	H6	76	1



# PART NO. INDEX

## N 3

Part Number	Address	Page	Ref.	Part Number	Address	Page	Ref.	Part Number	Address	Page	Ref.	Part Number	Address	Page	Ref.
28140-MCF-003	E13	48	6	32100-MCF-F00	K6	124	5	33607-MAT-E21	K3	121	6	35162-MCF-D30	K8	126	10
28333-300-000	J5	107	1	32100-MCF-F20	K6	124	5	33650-MAT-A01	K1	119	8	35162-MN5-003	K8	126	10
28810-P7Z-004	E4	39	10	32100-MCF-U00	K6	124	5	33650-MAT-E01	K1	119	8	35163-MN5-003	K8	126	11
30000				32100-MCF-U20	K6	124	5	33650-MBW-671	K1	119	8	35330-MB0-003	H6	76	11
30300-MCF-000	E14	49	3	32101-MCF-640	K8	126	6	33650-MCF-D30	K3	121	7	35340-MM5-600	H4	74	1
30405-MBG-000	J15	117	1	32101-MCF-650	K8	126	6	33652-MAT-E21	K3	121	8	35350-MV9-000	J4	106	5
30450-MCF-003	K8	126	1	32101-MCF-670	K8	126	6	33691-MAS-601	K1	119	9	35357-KCT-690	J4	106	6
30455-MCF-000	K8	126	2	32101-MCF-A20	K8	126	6	33710-MCF-641	K4	122	1	35500-MJ4-024	F3	54	4
30501-MCF-641	K6	124	1	32101-MCF-D30	K8	126	6	33710-MCF-671	K4	122	1	35600-KE8-003	F3	54	5
30501-MCF-D30	K7	125	18	32101-MCF-U20	K8	126	6	33712-KT1-670	L4	138	25	35700-MBB-305	J8	110	1
30501-MCF-E01	K6	124	1	32102-MCF-640	K6	124	6	33716-463-601	K8	126	8	35700-MCF-305	J8	110	1
30502-MCF-641	K8	126	3	32102-MCF-650	K6	124	6	33720-GZ9-003	K4	122	2	35850-MR5-007	K5	123	9
30502-MCF-D30	K8	126	3	32102-MCF-670	K6	124	6	33720-MAT-A01	K4	122	8	35856-KBG-007	K5	123	10
30502-MCF-E01	K8	126	3	32106-MCF-000	K8	126	7	33721-MAT-A00	K4	122	9	40000			
30507-MCF-000	K6	124	2	32106-MCF-D30	K8	126	7	33722-MZ0-710	K4	122	10	40510-KY2-700	J9	111	2
30590-GBF-851	L13	147	11	32109-MCF-000	K6	124	7	33727-ME4-641	K4	122	11	40510-MCJ-000	J11	113	3
30700-MCF-003	K6	124	3	32111-MCF-000	F10	61	11	33729-MB1-003	K4	122	12	40520-MCF-D30	J11	113	4
30750-MCF-003	K8	126	4	32111-MCF-D00	F10	61	11	33741-MB2-671	H11	81	10	40520-MW0-000	J9	111	3
31000				32152-MB3-000	F10	61	12	33741-MS6-921	J15	117	2	40545-MCF-003	J9	111	4
31110-MCF-003	E14	49	4	32161-KM3-003	I11	97	12	36163-PV0-004	I16	102	4	J11	113	5	
31120-MCF-003	E14	49	5	32401-MCF-640	K5	123	2	36164-MCF-000	I16	102	5	40545-MCF-005	J9	111	4
31120-MCF-D30	E14	49	5	32401-MCF-D30	K5	123	2	36166-MCF-D30	J1	103	6	J11	113	5	
31131-MR7-000	E14	49	6	32405-KR3-870	K5	123	3	36450-MCF-003	G1	68	10	J11	113	5	
31200-MCF-003	E16	51	1	32406-KS4-710	K5	123	4	36450-MCF-D30	G1	68	10	J11	113	5	
31201-MR6-008	E16	51	2	32410-MCF-000	K5	123	5	36620-MCF-000	I16	102	3	41201-MCF-000	I5	91	2
31205-MR1-008	E16	51	3	32411-253-000	K5	123	6	34000				I7	93	2	
31206-MR6-008	E16	51	4	32414-MCF-000	K5	123	7	34616-568-671	K4	122	13	37000			
31207-KS5-901	E16	51	5	32601-MCF-640	K5	123	8	34901-MAT-611	H1	71	8	37100-MCF-601	H2	72	1
31500-MCF-641	K5	123	1	32601-MCF-D30	K5	123	8	34905-MAS-601	K2	120	10	37100-MCF-641	H2	72	1
31500-MCF-642	K5	123	1	33000				34906-MAS-671	K2	120	16	37100-MCF-D01	H2	72	1
31500-MCF-643	K5	123	1	33102-MCF-641	H1	71	1	34906-MBB-611	K4	122	3	37100-MCF-E01	H2	72	1
31500-MCF-643	K5	123	1	33102-MCF-671	H1	71	1	35000				37101-MCF-641	H2	72	2
31500-MCF-672	K5	123	1	33112-MAT-611	H1	71	2	35010-MCF-600	H8	78	1	37130-MCF-601	H2	72	3
31600-MCF-003	K8	126	5	33113-MAT-611	H1	71	3	35010-MCF-601	H8	78	1	37130-MCF-641	H2	72	3
31600-MCF-D30	K8	126	5	33130-MAT-611	H1	71	4	35010-MCF-602	H8	78	1	37130-MCF-D01	H2	72	3
31605-MCF-D30	K9	127	26	33140-MCF-641	H1	71	5	35010-MCF-670	H8	78	1	37130-MCF-E01	H2	72	3
31730-MAS-601	K6	124	4	33152-MCF-601	H1	71	6	35010-MCF-672	H8	78	1	37215-MA6-008	H2	72	4
31918-MEB-671	E3	38	19	33152-MCF-671	H1	71	6	35010-MCF-A20	H8	78	1	37700-MAL-601	F3	54	6
31918-MEB-672	E3	38	19	33301-SAO-741	H1	71	7	35010-MCF-D30	H8	78	1	37760-MT2-003	L2	136	33
31919-MEB-671	E3	38	19	33400-MAS-A11	K1	119	1	35010-MCF-E01	H8	78	1	37830-MCF-003	F12	63	23
31919-MEB-672	E3	38	19	33400-MAS-E11	K1	119	1	35013-MCF-640	H3	73	4	F14	65	23	
32000				33400-MCF-D30	K3	121	1	35013-MCF-670	H3	73	4	L7	141	2	
32100-MCF-620	K6	124	5	33402-MAS-602	K1	119	2	35020-MCF-640	H3	73	5	F10	61	13	
32100-MCF-640	K6	124	5	33407-MAS-601	K1	119	3	35020-MCF-650	H3	73	5	I14	100	15	
32100-MCF-650	K6	124	5	33409-MW0-000	K1	119	4	35020-MCF-670	H3	73	5	38000			
32100-MCF-670	K6	124	5	33450-MAS-A11	K1	119	5	35100-MCF-601	H8	78	2	42301-MCF-000	I5	91	3
32100-MCF-A00	K6	124	5	33450-MAS-E11	K1	119	5	35100-MCF-602	H8	78	2	42301-MCF-D30	I7	93	3
32100-MCF-A20	K6	124	5	33600-MAT-A01	K1	119	6	35100-MCF-671	H8	78	2	42305-MCF-000	J9	111	5
32100-MCF-D30	K6	124	5	33600-MAT-E01	K1	119	6	35100-MCF-672	H8	78	2	J11	113	6	
32100-MCF-E00	K6	124	5	33600-MCF-A20	K1	119	6	35101-MCF-601	H8	78	3	J9	111	6	
33000				33600-MCF-D30	K3	121	4	35121-KW3-771	H8	78	4	J11	113	6	
33102-MCF-641	H1	71	1	33602-MAS-602	K1	119	7	35121-MN9-611	H8	78	4	J11	113	7	
33102-MCF-671	H1	71	1	33602-MAT-E21	K3	121	5	35122-KW3-771	H8	78	4	J11	113	7	
33112-MAT-611	H1	71	2	34000				35161-MCF-E00	K9	127	27	J11	113	7	
33113-MAT-611	H1	71	3	34616-568-671	K4	122	13	37000				J11	113	7	
33130-MAT-611	H1	71	4	34901-MAT-611	H1	71	8	37100-MCF-601	H2	72	1	J11	113	7	
33140-MCF-641	H1	71	5	34905-MAS-601	K2	120	10	37100-MCF-641	H2	72	1	J11	113	7	
33152-MCF-601	H1	71	6	35000				37100-MCF-D01	H2	72	1	J11	113	7	
33152-MCF-641	H1	71	6	35010-MCF-600	H8	78	1	37101-MCF-641	H2	72	2	J11	113	7	
33152-MCF-671	H1	71	6	35010-MCF-601	H8	78	1	37130-MCF-601	H2	72	3	J11	113	7	
33301-SAO-741	H1	71	7	35010-MCF-602	H8	78	1	37130-MCF-641	H2	72	3	J11	113	7	
33400-MAS-A11	K1	119	1	35010-MCF-670	H8	78	1	37130-MCF-D01	H2	72	3	J11	113	7	
33400-MAS-E11	K1	119	1	35010-MCF-A20	H8	78	1	37130-MCF-E01	H2	72	3	J11	113	7	
33400-MCF-D30	K3	121	1	35010-MCF-D30	H8	78	1	37215-MA6-008	H2	72	4	J11	113	7	
33402-MAS-602	K1	119	2	35013-MCF-640	H3	73	4	37700-MAL-601	F3	54	6	J11	113	7	
33407-MAS-601	K1	119	3	35013-MCF-670	H3	73	4	37760-MT2-003	L2	136	33	J11	113	7	
33409-MW0-000	K1	119	4	35020-MCF-640	H3	73	5	37830-MCF-003	F12	63	23	J11	113	7	
33450-MAS-A11	K1	119	5	35020-MCF-650	H3	73	5	F14	65	23	J11	113	7		
33450-MAS-E11	K1	119	5	35020-MCF-670	H3	73	5	L7	141	2	J11	113	7		
33600-MAT-A01	K1	119	6	35100-MCF-601	H8	78	2	F10	61	13	J11	113	7		
33600-MAT-E01	K1	119	6	35100-MCF-602	H8	78	2	I14	100	15	J11	113	7		
33600-MCF-A20	K1	119	6	35100-MCF-671	H8	78	2	38000				J11	113	7	
33600-MCF-D30	K3	121	4	35100-MCF-672	H8	78	2	38110-GT8-621	K10	128	3	J11	113	7	
33602-MAS-602	K1	119	7	35101-MCF-601	H8	78	3	K12	130	3	J11	113	7		
33602-MAT-E21	K3	121	5	35121-KW3-771	H8	78	4	K6	124	8	J11	113	7		
34000				35121-MN9-611	H8	78	4	K6	124	8	J11	113	7		
34616-568-671	K4	122	13	35122-KW3-771	H8	78	4	K6	124	8	J11	113	7		
34901-MAT-611	H1	71	8	35160-MCF-003	K8	126	9	K6	124	8	J11	113	7		
34905-MAS-601	K2	120	10	35161-MCF-E00	K9	127	27	K6	124	8	J11	113	7		
34906-MAS-671	K2	120	16												



# PART NO. INDEX

## N 4

Part Number	Address	Page	Ref.	Part Number	Address	Page	Ref.	Part Number	Address	Page	Ref.	Part Number	Address	Page	Ref.	Part Number	Address	Page	Ref.
42706-MB0-000	11	87	1	44000				45510-MCJ-751	H4	74	11	50617-445-840	J5	107	4	51490-MCF-000	H13	83	22
	15	91	10					45511-KV3-016	H4	74	12	50639-MLO-010	J5	107	5	51496-MCJ-751	H13	83	38
	17	93	10	44301-MCF-000	H15	85	3	45512-MAS-006	H4	74	13	50644-445-840	J5	107	6	51500-MCF-003	H13	83	23
42711-MCF-004	15	91	11		I1	87	3	45513-KV3-006	H4	74	14	50660-MCF-000	J5	107	7	51500-MCF-A01	H13	83	23
42711-MCF-006	15	91	11	44311-MCF-000	H15	85	4	45517-166-006	H4	74	15	50665-MCF-000	J5	107	8	51500-MCF-A20	H13	83	23
42711-MCF-016	17	93	11	44311-MCF-D00	H15	85	4		H6	76	13	50700-MCF-000	J5	107	9	51500-MCF-D01	H13	83	23
42711-MCF-D31	17	93	11		I1	87	4	45518-KV3-006	H4	74	16	50700-MCF-010	J6	108	9	51500-MCF-D31	H13	83	23
42753-MCF-008	H15	85	2	44312-MCF-000	H15	85	5	45520-300-000	I2	88	13	50707-MCF-000	J6	108	10	51517-MCF-003	H13	83	24
	11	87	2	44312-MCF-D00	H15	85	5	45520-371-013	I2	88	13	50707-MCF-010	J6	108	10	51517-MCF-D31	H13	83	24
	15	91	12		I1	87	5	45520-KV3-006	H4	74	17	50707-MCF-D30	J7	109	29	51525-MCF-003	H13	83	25
	17	93	12	44620-MCF-000	H15	85	6	45521-MJ6-006	I2	88	14	50718-KT7-761	J6	108	11	51525-MCF-D01	H13	83	25
42753-ML7-004	H15	85	2		I1	87	6	45530-MCF-006	H4	74	18	50720-KT7-761	J6	108	12	51525-MCF-D31	H13	83	39
	11	87	2	44650-MCF-000	H15	85	7	45530-MCJ-751	H4	74	18	50730-KT7-761	J6	108	13				
	15	91	12	44650-MCF-670	H15	85	7	45535-MR8-901	H6	76	14	50750-MCF-000	J6	108	14	52000			
	17	93	12	44650-MCF-D30ZA	I1	87	7	45550-MCF-006	H4	74	19	50750-MCF-010	J6	108	14				
				44650-MCF-D30ZB	I1	87	7					50760-MCF-000	J6	108	15	52101-MCF-000	J9	111	7
43000				44711-MCF-004	H15	85	8	46000				50760-MCF-010	J7	109	15	52101-MCF-D30	J11	113	8
				44711-MCF-006	H15	85	8	46182-500-013	I2	88	15	51000				52108-MCF-000	J9	111	8
43105-MW0-405	14	90	2	44711-MCF-016	I1	87	8	46500-MCF-000	J4	106	7	51126-MCF-003	H12	82	3	52108-MCF-D00	J9	111	8
43107-KT7-761	14	90	3	44711-MCF-D31	I1	87	8	46503-MAL-000	I2	88	16	51400-MCF-003	H12	82	4	52108-MCF-D30	J11	113	9
43108-MBB-006	14	90	4					46504-MAL-601	I2	88	17	51400-MCF-A01	H12	82	4	52109-MCF-000	J9	111	9
43110-MCF-006	14	90	5	45000				46513-MBB-000	J4	106	8	51400-MCF-A20	H12	82	4	52109-MCF-D00	J9	111	9
43110-MCF-D31	14	90	17					46515-MN1-670	J4	106	9	51400-MCF-D01	H12	82	4	52109-MCF-D30	J11	113	10
43112-MCF-006	14	90	6	45103-MR7-006	H14	84	6					51401-MCF-003	H12	82	5	52141-MCF-000	J9	111	10
43132-KT7-761	14	90	7	45106-MAS-E01	H14	84	7	50010-MCF-A20ZA	K12	130	5	51400-MCF-D01	H12	82	4	52142-MCF-000	J9	111	11
43150-MCF-006	14	90	8	45107-MAS-E01	H14	84	8	50010-MCF-D30	K12	130	5	51400-MCF-D31	H12	82	4	52142-MCF-D30	J11	113	11
43150-MCF-D31	14	90	8	45107-MCZ-006	H14	84	9	50100-MCF-000	K10	128	4	51401-MCF-003	H12	82	5	52143-MCF-000	J9	111	12
43150-MCF-000	12	88	1	45110-MCF-000	H12	82	1	50100-MCF-670ZA	K10	128	4	51401-MCF-D31	H12	82	5	52143-MCF-D30	J11	113	12
43154-MCF-000	12	88	1	45111-MA3-006	I4	90	12	50100-MCF-A00ZA	K10	128	4	51403-MA0-771	H12	82	6	52143-MCF-000	J9	111	13
43215-ML3-911	14	90	9	45117-MAS-E01	H14	84	9	50100-MCF-D00	K10	128	4	51403-MCF-003	H12	82	7	52170-MCF-000	J9	111	14
43251-KFK-000	15	91	13	45117-MCJ-751	H14	84	8	50100-MCF-D01	K10	128	4	51404-MT7-003	H12	82	8	52200-MCF-000	J9	111	14
43251-MCJ-000	15	91	13	45120-MCF-003	H15	85	9	50191-MCF-D30	K12	130	6	51404-MW4-003	H12	82	9	52200-MCF-670	J9	111	14
	17	93	13	45120-MCF-013	H15	85	9	50192-MCF-D30	K12	130	7	51410-MCF-003	H12	82	10	52200-MCF-A00	J10	112	14
43310-MCF-003	12	88	2	45120-MCF-D01	H15	85	9	50200-MCF-000	K10	128	5	51410-MCF-A21	H12	82	10	52200-MCF-A20	J11	113	14
43310-MCF-D30	12	88	2	45120-MCF-D31	I1	87	9	50200-MCF-D00	K10	128	5	51410-MCF-D01	H12	82	10	52200-MCF-D00	J10	112	14
43352-568-003	H14	84	4	45125-MCF-003	H4	74	6	50200-MCF-D30	K10	128	5	51410-MCF-D31	H12	82	10	52200-MCF-D30	J12	114	14
	14	90	10	45125-MCF-D31	H4	74	6	50200-MCF-D00	K10	128	5	51412-KA4-711	H12	82	11	52400-MCF-003	J13	115	2
43353-461-771	E15	50	11	45131-MN9-006	I4	90	13	50200-MCF-D30	K12	130	8	51414-MCF-003	H12	82	12	52400-MCF-D01	J13	115	2
	H14	84	5	45133-MA3-006	I4	90	14	50233-MCF-000	J13	115	1	51415-MCF-003	H12	82	13	52400-MCF-D31	J14	116	2
	14	90	11	45150-MCF-006	H14	84	10	50233-MCF-D30	J14	116	1	51421-MCF-003	H12	82	14	52400-MCF-F01	J13	115	2
43468-MCJ-750	13	89	26	45150-MCF-D31	H14	84	10	50290-MZ7-000	J15	117	3	51422-MT7-003	H12	82	15	52400-MCF-F21	J14	116	2
43503-MB2-006	12	88	3	45156-MCF-000	H4	74	7					51423-MCJ-751	H12	82	16	52462-MLO-000	J13	115	3
43504-MB2-006	12	88	4	45203-MG3-016	I4	90	15	50313-MCF-000	I16	102	6	51423-MT7-003	H12	82	16				
43510-MCF-006	12	88	5	45210-MCF-000	H12	82	2					51425-MCF-003	H13	83	17	52463-KV3-000	J13	115	4
43510-MCF-D01	12	88	5	45215-MAS-E01	H14	84	11	50313-MCF-D00	I16	102	6	51425-MCF-D01	H13	83	17				
43511-MR7-016	12	88	6	45220-MCF-003	H16	86	10					51425-MCF-D31	H13	83	33	52463-MR7-000	J13	115	5
43512-MCF-006	12	88	7	45220-MCF-013	H16	86	10	50314-MCF-000	I16	102	7	51430-MCF-003	H13	83	18				
43513-MY1-006	12	88	8	45220-MCF-D01	H16	86	10	50314-MCF-D00	I16	102	7	51430-MCF-D31	H13	83	18	52465-MCF-000	J13	115	6
43514-KS6-701	G1	68	11	45220-MCF-D31	I1	87	10	50324-425-010	H4	74	20	51447-KA4-711	H13	83	19	52465-MCF-D30	J14	116	6
	H4	74	2	45224-KV3-951	K12	130	4	50381-MCF-D30	K12	130	9	51450-MCJ-751	H13	83	34	52465-MY1-000	J13	115	7
	12	88	9	45250-MCF-006	H14	84	12	50383-GB6-300	J15	117	4	51451-MCJ-751	H13	83	35				
43514-MN9-006	12	88	10	45250-MCF-D31	H14	84	12	50530-MCF-000	J8	110	2	51451-MCJ-751	H13	83	35	52475-MY1-000	J14	116	7
43516-HA2-000	H4	74	3	45461-KW3-000	H11	81	1	50530-MCF-000	J8	110	3	51453-MCJ-751	H13	83	36	52475-MCF-000	J13	115	8
43517-KS6-701	H4	74	4	45462-MW4-000	H11	81	2	50535-MCF-000	H8	110	3	51454-MCF-003	H13	83	20	52475-MCF-D30	J14	116	8
43520-MB2-305	12	88	11	45503-KV3-006	H4	74	8	50540-MBB-000	J8	110	4	51454-MCJ-003	H13	83	20				
43523-MAH-671	H4	74	5	45504-MAT-E01	H6	76	12	50600-MCF-000	J5	107	2	51455-MW4-003	H13	83	21	53000			
43530-MB2-006	12	88	12	45504-MCF-006	H4	74	9	50600-MCF-010	J5	107	2	51456-MCJ-751	H13	83	37				
				45505-KV3-006	H4	74	10	50607-MCF-000	J5	107	3	51486-087-711	E9	44	6	53100-MCF-000	H8	78	5
				45510-MCF-006	H4	74	11	50607-MCF-010	J5	107	3	51486-MCF-000	J7	109	16	53105-KV3-000	H8	78	6
								50607-MCF-D30	J7	109	28	51486-MCF-D00	J7	109	16	53105-MBB-010	H9	79	7

# 4

# PART NO. INDEX

N 5

Part Number	Address	Page	Ref.	Part Number	Address	Page	Ref.	Part Number	Address	Page	Ref.	Part Number	Address	Page	Ref.	Part Number	Address	Page	Ref.
53107-KM9-000	H9	79	9					64282-MCF-D30ZA M2		152	16	64521-MCF-000	L8	142	16	77300-MCF-000	J16	118	4
53107-MJ0-000	H9	79	10	64205-166-610	L7	141	7	64283-MCF-000ZA L14		148	14	64524-MCF-000	L8	142	17	I12	98	14	
53108-MJ0-000	H9	79	8	64216-GJ2-730	K15	133	12	64283-MCF-670ZA L16		150	13	64525-MCF-000	L8	142	18	I13	99	14	
53109-MM5-000	H9	79	9	64219-MCF-300	L7	141	8	64283-MCF-D20ZA L14		148	14	64525-MCF-D00	L8	142	18				
53109-MV4-000	H9	79	10	64220-MCF-000ZB L7		141	9	64283-MCF-D30ZA M2		152	17	64526-MCF-000	L8	142	19	80000			
53140-MCF-000	H3	73	6	64221-MCF-000ZA L14		148	1	64284-MCF-000ZA L14		148	15	64533-MCF-000	I16	102	8				
53150-MCF-000	H9	79	11	64221-MCF-000ZB L14		148	1	64284-MCF-670ZA L16		150	14		J1	103	8	80100-MCF-000	J15	117	6
53165-MY9-890	H3	73	7		L16	150	1	64284-MCF-D20ZA L15		149	15	64560-MCF-000ZB L10	144	12		80100-MCF-670	J15	117	6
53166-MY9-890	H3	73	8	64221-MCF-D30ZA M2		152	1	64284-MCF-D30ZA M3		153	18	64560-MCF-D30ZA L11	145	14		80100-MCF-A30	J16	118	5
53167-KY1-003	H3	73	9	64221-MCF-D30ZB L16		150	1	64285-MCF-670ZA L16		150	15	64565-MCF-300	L10	144	13	80100-MCF-D30	J16	118	5
53168-KY1-003	H3	73	10	64230-MCF-000ZA L7		141	10	64286-MCF-670ZA M1		151	16					80101-KB7-600	J2	104	19
53170-MCF-006	H5	75	21	64230-MCF-670ZB L7		141	10	64287-MCF-670ZA M1		151	17	75000				80103-MCF-300	J15	117	15
53170-MCJ-751	H5	75	21	64230-MCF-D20ZA L7		141	10	64288-MCF-670ZA M1		151	18					80103-MG2-000	J2	104	11
53172-KV0-006	H6	76	15	64230-MCF-D30ZA L7		141	10	64348-086-000	J16	118	3	75581-GN8-920	I12	98	1	80106-MBG-300	J15	117	7
53172-MJ4-702	H6	76	16	64231-MCF-000ZA L14		148	2	64400-MCF-000ZB L10		144	2					80110-MCF-000	J15	117	8
53177-KV0-006	H6	76	17	64231-MCF-670ZA L16		150	2	64400-MCF-670ZA L10		144	2	77000				80110-MCF-D30	J16	118	6
53179-KV0-006	H6	76	18	64231-MCF-D30ZA M2		152	2	64400-MCF-A20ZA L11		145	4					80114-KE2-940	K4	122	14
53180-KV0-006	H6	76	19	64232-MCF-000ZA L14		148	3	64400-MCF-D20ZA L10		144	2	77100-MCF-000	I12	98	2				
53180-MCF-006	H6	76	20	64232-MCF-670ZA L16		150	3	64400-MCF-D30ZA L11		145	4	77156-MCF-000	I12	98	3	81000			
53181-KV0-006	H6	76	21	64232-MCF-D30ZA M2		152	3	64412-MCF-300	L10	144	3	77157-MCF-000	I12	98	4				
53214-KA4-701	H10	80	1	64233-MCF-670ZA L16		150	4		L11	145	5	77157-MCF-D30	I12	98	4	81312-GJ5-000	J10	112	15
53214-MR7-003	H10	80	1	64233-MCF-D30ZA M2		152	4	64413-MCF-300	L10	144	4	77212-MCF-D30	I13	99	25				
			2	64250-MCF-000ZA L7		141	11		L11	145	6	77213-MCF-000	I12	98	5	83000			
53219-MCF-000	H10	80	3	64250-MCF-000ZB L7		141	11	64450-MCF-000ZB L10		144	5	77214-MCF-000	I12	98	6				
53219-MCF-D00	H10	80	3	64250-MCF-D30ZA L7		141	11	64450-MCF-670ZA L10		144	5	77219-MCF-300	I13	99	24	83641-KY2-700	I13	99	15
53219-MCF-D30	H10	80	3	64250-MCF-D30ZB L7		141	11	64450-MCF-A20ZA L11		145	7	77220-KY6-000	I12	98	7	83641-MR7-000	I13	99	16
53220-MR7-000	H10	80	4	64252-MT4-700	L10	144	1	64450-MCF-D20ZA L10		144	5	77221-MCF-000ZC	I12	98	12		L8	142	20
53220-MW0-000	H10	80	4		L11	145	3	64450-MCF-D30ZA L11		145	7	77222-MCF-000	I12	98	8	83642-KY2-700	I13	99	17
53232-MCF-D30	H9	79	20	64271-MCF-000ZA L14		148	4	64462-MCF-300	L10	144	6	77223-MCF-300	I12	98	9	83701-MCF-000	L15	149	19
53300-MCF-000	H9	79	12	64271-MCF-670ZA L16		150	5		L11	145	8	77226-MCF-000ZA L15	149	16		M3	153	26	
53300-MCF-670	H9	79	12	64271-MCF-D30ZA M2		152	5	64464-MCF-300	L10	144	7	77227-MBG-300	L9	143	35				
53300-MCF-A20	H9	79	12	64272-MCF-000ZA L14		148	5		L11	145	9	77227-MCF-670ZA M1	151	19		84000			
53300-MCF-D30	H9	79	12	64272-MCF-670ZA L16		150	6	64465-MCF-300	L10	144	8	77227-MCF-D30ZA M3	153	19					
53702-MCJ-751	H13	83	40	64272-MCF-D30ZA M2		152	6		L11	145	10	77228-MCF-670ZA M1	151	20		84701-ML7-670	K4	122	15
				64273-MCF-000ZA L14		148	6	64501-MCF-000	L7	141	12	77228-MCF-D30ZA M3	153	20		84703-425-000	I9	95	13
				64273-MCF-670ZA L16		150	7	64502-MCF-000	L7	141	13	77230-MCF-000ZA I12	98	10		84706-163-670	L5	139	27
				64273-MCF-D30ZA M2		152	7	64502-MCF-D30	L7	141	13	77230-MCF-670ZA I12	98	10			L6	140	19
61100-MCF-000ZB H11		81	3	64274-MCF-000ZA L14		148	7	64505-MCF-000	L7	141	14	77230-MCF-A20ZA I12	98	10					
61100-MCF-000ZE H11		81	3	64274-MCF-670ZA L16		150	8	64506-MCF-000	L7	141	15	77230-MCF-D20ZA I12	98	10		86000			
61100-MCF-010ZB H11		81	3	64274-MCF-D30ZA M2		152	8	64509-MK4-000	L10	144	9	77230-MCF-D30ZA I12	98	10					
61100-MCF-010ZD H11		81	3	64275-MCF-000ZA L14		148	8		L11	145	11	77233-MCF-000ZA L15	149	17		86150-MCF-300	H9	79	13
61101-MCF-670 H11		81	11	64275-MCF-670ZA L16		150	9	64511-MCF-000	L2	136	34	77233-MCF-D20ZA L15	149	17					
61102-MCF-670 H11		81	12	64275-MCF-D30ZA M2		152	9		L5	139	26	77233-MCF-D30ZA M3	153	21		87000			
61103-357-000	K4	122	4	64276-MCF-000ZA L14		148	9	64512-MCF-000	L2	136	35	77234-MCF-D30ZA M3	153	22					
61104-422-000	I9	95	12	64276-MCF-670ZA L16		150	10		L6	140	18	77235-MCF-000ZA L15	149	18		87135-MCF-000	L12	146	1
	K15	133	11	64276-MCF-D30ZA M2		152	10	64513-MCF-000	F1	52	10	77235-MCF-670ZA M1	151	21		87135-MCF-670	L12	146	1
	L9	143	36	64277-MCF-000ZA L14		148	10	64513-MCF-D00	F1	52	10	77235-MCF-A20ZA M1	151	21		87139-463-670	L13	147	12
61304-415-000	H1	71	9	64277-MCF-670ZA L16		150	11	64514-MCF-000	F1	52	11	77235-MCF-D20ZA L15	149	18		87501-MAS-415	L12	146	2
				64277-MCF-D30ZA M2		152	11	64514-MCF-D00	F1	52	11	77235-MCF-D30ZA M3	153	23		87505-MCF-620	L12	146	3
				64278-MCF-000ZA L14		148	11	64515-MCF-000	K10	128	6	77236-KAZ-780	K16	134	1	87505-MCF-640	L12	146	3
				64278-MCF-670ZA L16		150	12		K12	130	10	77236-MCF-D30ZA M3	153	24		87505-MCF-720	L12	146	3
64102-MCF-000	L7	141	3	64278-MCF-D30ZA M2		152	12	64515-MCF-D00	K10	128	6	77237-MCF-670ZA M1	151	22		87505-MCF-890	L12	146	3
64105-MCF-000	L7	141	4	64279-MCF-D30ZA M2		152	13	64516-MCF-000	K10	128	7	77237-MCF-D30ZA M3	153	25		87505-MCF-C20	L12	146	3
64105-MCF-D30	L7	141	4	64280-MCF-D30ZA M2		152	14		K12	130	11	77239-KAB-000	I12	98	11	87505-MCF-D30	L12	146	3
64121-MCF-000	K4	122	5	64281-MCF-000ZA L14		148	12	64516-MCF-D00	K10	128	7	77240-MCF-000ZB I12	98	12		87505-MCF-F20	L12	146	3
64122-KV0-000	L9	143	37	64281-MCF-D20ZA L14		148	12	64517-MCF-000	L10	144	10	77240-MCF-670ZB I12	98	12		87505-MCF-W10	L12	146	3
64122-MCF-300	L7	141	5	64281-MCF-D30ZA M2		152	15	64517-MCF-D30	L11	145	12	77240-MCF-D30ZA I12	98	12		87507-KW2-980	L12	146	4
64123-MCF-300	L7	141	6	64282-MCF-000ZA L14		148	13	64518-MCF-000	L10	144	11	77242-MAT-000	I12	98	13	87507-MCF-D30	L12	146	4
64136-ML7-600	K2	120	11	64282-MCF-D20ZA L14		148	13	64518-MCF-D30	L11	145	13	77251-342-000	J15	117	5	87507-MCF-F20	L12	146	4



# PART NO. INDEX

N 6

Part Number	Address	Page	Ref	Part Number	Address	Page	Ref	Part Number	Address	Page	Ref	Part Number	Address	Page	Ref	Part Number	Address	Page	Ref
87507-MZ1-620	L12	146	4	90004-GHB-710	E9	44	9	90103-MJ1-000	K14	132	8	90116-KY2-700	I13	99	18	90306-MCF-D00	I6	92	17
87508-MCF-000	L12	146	5		E14	49	8	90103-MJ1-010	K14	132	8	90117-MCF-000	J2	104	13		I7	93	17
87508-MCF-620	L12	146	5	90004-GHB-720	E2	37	10		K15	133	13	90117-MR7-000	H5	75	23	90315-MK3-003	L2	136	38
87512-KV6-630	L13	147	13		E4	39	11	90104-MCF-000	K10	128	10	90118-MBB-000	L9	143	27		L5	139	29
87512-MCF-620	L12	146	6	90004-GHB-740	E10	45	7	90104-MCF-D30	K12	130	15	90118-MR1-000	J7	109	20		L6	140	20
87512-MCF-640	L12	146	6	90004-MCF-000	E2	37	11	90105-MBB-000	I5	91	14	90119-SD9-000	E9	44	11	90354-MCF-000	J10	112	21
87512-MCF-D30	L12	146	6		E4	39	12		I7	93	14	90120-KCR-003	L2	136	37	90354-MCF-D00	J10	112	21
87512-MCF-F20	L12	146	6	90005-GHB-660	E9	44	8	90105-MBG-000	I11	97	13	90121-MCF-000	I5	91	15		J12	114	19
87512-MY3-670	L13	147	13	90005-GHB-760	E9	44	10	90105-MBW-000	J7	109	18	90121-MCF-D00	I5	91	15	90401-KZ4-890	J12	114	20
87520-MCF-620	L13	147	14	90005-MAS-E00	E2	37	12	90105-MY9-000	J10	112	16	90121-MCF-D30	I7	93	15	90401-MAZ-000	I6	92	18
87560-MZ0-610	L13	147	7		E4	39	13	90106-KS6-700	J10	112	17	90122-GS3-000	K10	128	12		I7	93	18
87560-MZ0-611	L13	147	7	90006-GHB-680	E10	45	6	90106-KY2-701	H11	81	4		K12	130	18		J10	112	22
87560-MZ0-670	L13	147	7	90006-GHB-690	E9	44	7	90106-MBB-000	H16	86	11	90122-MCF-000	H14	84	15	90401-MBB-000	E11	46	19
87560-MZ0-740	L13	147	7		E14	49	7		I1	87	11	90130-MCJ-750	J12	114	17	90401-MS2-610	E11	46	20
87560-MZ0-741	L13	147	7		F1	52	12	90106-MCF-D00	J10	112	17	90131-883-000	F2	53	16	90402-GB0-900	J12	114	21
87560-MZ1-620	L13	147	8	90006-GHB-700	E14	49	20		J12	114	15	90135-MS2-000	I9	95	16	90402-MBB-000	E11	46	21
87565-MCF-000ZA	L13	147	9	F1	52	13	90107-MAS-E01	H14	84	13	90136-MBB-000	J2	104	14	90402-MV1-000	E14	49	13	
87565-MCF-720ZA	L13	147	9	90006-GHB-710	E9	44	9	90107-MBG-000	H9	79	14	90145-MS9-612	H5	75	24	90410-KR0-000	K11	129	18
87565-MCF-C00ZA	L13	147	9		E14	49	8	90107-MCF-000	J7	109	19		H6	76	24		K12	130	19
87565-MCF-C20ZA	L13	147	9	90006-GHB-740	E10	45	7	90107-MR8-000	J13	115	9		I3	89	19	90417-360-000	F9	60	13
87565-MCF-D00ZA	L13	147	9	90007-892-000	E1	36	8		J14	116	9	90147-MK6-671	J8	110	6	90428-PD6-003	I11	97	16
87565-MCF-D00ZB	L13	147	9	90009-MBB-003	F3	54	8	90108-KZ4-J40	K12	130	16	90151-MCF-000	K10	128	13	90441-ME9-000	E8	43	19
87565-MCF-D30ZA	L13	147	9	90009-MCF-000	F3	54	9	90108-MAS-E01	H14	84	14	90152-MCF-000	K10	128	14		G2	69	2
87586-MB6-870ZF	L13	147	10	90016-MCF-003	F13	64	8	90108-MBG-000	I11	97	14	90153-MCF-000	K10	128	15	90442-028-000	F3	54	10
87586-MR6-670ZA	L13	147	10	90017-MAL-600	E1	36	9	90108-MCF-000	K10	128	11	90154-HA8-000	J13	115	13		G3	70	2
				90017-MCF-000	E1	36	10		K12	130	17		J14	116	13	90443-MJ6-000	F3	54	11
				90019-MB0-000	F1	52	14	90108-MK6-670	J8	110	5	90154-MCF-000	K10	128	16		G3	70	2
				90021-MM5-000	F1	52	15	90109-MCF-000	K9	127	21	90176-MCF-000	J7	109	21	90451-155-000	F9	60	14
88000					F9	60	11	90109-MCJ-750	L9	143	38	90180-MN8-006	I4	90	16	90452-MAT-000	F7	58	20
88110-MBW-003	L8	142	21		E11	46	17	90109-MR7-000	H9	79	15	90191-KT7-750	H9	79	16	90452-MR7-000	F7	58	21
88110-MBW-013	L8	142	21	90022-MAT-E00	E11	46	17		H10	80	5	90201-415-000	H5	75	25	90453-KCY-670	F3	54	12
88120-MBW-003	L8	142	22	90022-MY5-600	F9	60	12		H13	83	27		H7	77	25	90454-MC7-000	F10	61	14
88120-MBW-013	L8	142	22	90023-MBT-010	E14	49	9	90110-MCJ-000	I3	89	27	90201-700-000	J4	106	13	90455-ML7-000	F7	58	22
				90023-MM5-000	E2	37	13		J13	115	10	90201-MBB-000	J2	104	15	90458-729-920	F8	59	23
					E4	39	14	90110-MR7-000	J14	116	10	90201-MW0-000	K11	129	17	90459-438-000	F8	59	24
89000				90035-MZ1-000	E2	37	14		J14	116	10	90201-PD1-000	I11	97	15	90463-MAT-000	F8	59	25
89010-MCF-000	K16	134	2		E4	39	15	90111-162-000	L2	136	36	90202-MBB-000	J2	104	16	90463-ML7-000	E2	37	15
89101-MBW-000	K16	134	3	90037-422-003	F7	58	19		L5	139	28	90203-MF9-710	J8	110	7		E4	39	16
89103-371-000	K16	134	4	90051-KS7-830	J4	106	10	90111-KW3-003	L9	143	25	90231-MS2-610	E11	46	18		G2	69	2
89210-GBJ-J00	K16	134	5	90065-MCF-000	J4	106	11		L10	144	14	90301-473-003	I9	95	17	90463-MR7-000	F8	59	26
89210-GBJ-J10	K16	134	5	90065-MCF-010	J4	106	11		L11	145	15	90301-MG3-000	H5	75	26	90464-MAT-000	F8	59	27
89211-KJ2-000	K16	134	6	90071-MB0-000	E16	51	6	90111-MR5-000	K5	123	11	90302-425-830	H10	80	6	90464-MR7-000	F8	59	28
89216-MCF-000	K16	134	7	90071-MCF-000	L8	142	23	90111-MR7-000	J13	115	11	90302-MB2-000	K4	122	16	90473-147-000	H5	75	27
89218-MAZ-000	K16	134	8	90071-MCF-670	L8	142	23		J14	116	11	90302-MR7-000	H10	80	6	90475-703-000	E9	44	12
89221-429-000	K16	134	9	90071-MCF-A20	L9	143	23	90113-MAS-E00	J10	112	18	90304-GE8-003	J13	115	14		G3	70	2
89227-461-000	K16	134	10	90074-MT4-000	I9	95	15		J12	114	16		J14	116	14	90485-MB2-000	L5	139	30
89230-MB1-000	K16	134	11	90084-MN8-010	E14	49	10	90113-MCF-000	J4	106	12		I6	92	16		L6	140	21
89256-MT4-000	K16	134	12	90085-MBW-000	J7	109	17	90113-MCJ-000	L9	143	26	90304-KAE-871	I7	93	16		I6	92	19
				90085-MZ1-000	H11	81	13		L10	144	15		I7	93	16	90501-MCF-000	J15	117	9
				90087-KT7-000	E14	49	11		L11	145	16	90304-MCF-000	H9	79	17	90501-MCF-D30	K12	130	20
				90101-MAS-000	I2	88	18	90113-MM5-000	L10	144	16	90304-MM5-000	J2	104	17	90501-MCJ-000	H11	81	6
90000				90101-MCF-000	H13	83	26		L11	145	17	90304-MR7-000	H9	79	17	90502-MCF-000	I6	92	19
90001-MBB-003	F3	54	7	90101-MCF-D30	K12	130	12	90113-MW0-000	J10	112	19	90305-KZ4-J20	I6	92	17		I7	93	19
90001-MCF-000	E11	46	16	90101-MR7-006	H6	76	22	90114-MA5-671	H6	76	23	90305-MAZ-000	J10	112	20	90502-MCF-D30	K12	130	21
90002-MCF-000	E3	38	20	90102-MCF-000	K10	128	8	90114-MCF-006	H5	75	22	90305-MBB-D40	J12	114	18	90503-MCF-000	K14	132	7
	E5	40	24	90102-MCF-D30	K12	130	13	90114-MCJ-000	H11	81	4	90305-MCO-003	J13	115	15	90503-MCF-D30	K12	130	22
90004-GHB-680	E10	45	6	90103-KCM-620	J2	104	12						J14	116	15	90504-964-000	L9	143	28
90004-GHB-690	E9	44	7	90103-MBG-000	L9	143	24	90115-MR7-003	J13	115	12	90305-MCF-D00	J10	112	20	90504-MCF-D30	K12	130	23
	E14	49	7	90103-MCF-000	K10	128	9		J14	116	12	90305-ML7-000	H16	86	12	90506-425-830	H10	80	7
	F1	52	12	90103-MCF-D30	K12	130	14	90116-375-000	E14	49	12		I1	87	12	90506-MR7-000	H10	80	7



# PART NO. INDEX

N 7

Part Number	Address	Page	Ref.	Part Number	Address	Page	Ref.	Part Number	Address	Page	Ref.	Part Number	Address	Page	Ref.
90514-MAT-000	J2	104	18					91309-425-003	E16	51	7	93903-24280	K2	120	13
90522-028-000	I13	99	19	91052-KZ4-J21	J10	112	23		G3	70	2		L9	143	29
90524-MCF-000	J4	106	14	91052-MCF-003	I6	92	21	91309-PX4-003	E4	39	18		L11	145	21
90525-428-900	J16	118	7		I8	94	21	91310-PH3-003	E9	44	16	93903-24380	I15	101	18
90525-MCF-000	K9	127	18	91053-MAZ-003	I6	92	22		G3	70	2		L9	143	30
90543-MV9-670	E1	36	11		I8	94	22	91311-MR7-003	H13	83	30	93903-25110	I13	99	20
	G2	69	1	91059-KY2-711	H9	79	18	91312-KE7-003	F10	61	15	93903-25280	I15	101	19
90545-300-000	H5	75	28	91071-KV3-005	J13	115	16		G3	70	2		L9	143	31
	H7	77	26		J14	116	16	91313-MB0-003	F2	53	17	93903-25380	I15	101	20
	I3	89	20	91071-MCF-003	J10	112	24		G3	70	2	93911-24380	K3	121	11
90557-230-000	J4	106	15	91071-MR7-003	J12	114	23	91314-MCF-000	G3	70	2	93911-25420	I15	101	17
90601-KJ9-000	E15	50	12	91071-MY1-005	J13	115	17		K14	132	10	93913-25480	H2	72	6
	K7	125	11		J14	116	17		K15	133	15				
90602-MBN-670	F6	57	13	91072-MR7-003	J12	114	24	91320-MB0-000	E16	51	8	94000			
90603-MN4-000	F8	59	29	91073-MCF-003	H16	86	13	91351-MAE-003	F10	61	16				
90604-MM5-000	F8	59	30		I1	87	13		G3	70	2	94001-08000-0S	J10	112	28
90605-MM5-000	F8	59	31	91104-KT7-000	E8	43	20	91351-MCF-003	H13	83	31		J12	114	28
90641-MCF-000	L10	144	17	91106-KM1-013	F3	54	15	91351-MT7-003	H13	83	32	94002-06020-0S	J4	106	18
	L11	145	18	91106-MCF-003	F3	54	15	91352-MCF-003	I6	92	24	94002-08000-0S	I3	89	23
90650-KV6-003	H3	73	11	91201-148-003	E10	45	8		I8	94	24	94021-06070-0S	H11	81	7
90651-KV6-003	J4	106	16	91201-MCF-003	E9	44	13	91355-MG9-006	H7	77	29	94050-04070	K9	127	22
	K7	125	19	91202-MR7-003	J12	114	25	91356-425-003	E14	49	15	94050-05000	H11	81	14
	K9	127	19	91203-KA4-771	F3	54	16		G3	70	2	94050-05070	I16	102	10
90651-MA5-671	H7	77	27	91204-MG8-003	F3	54	17	91405-PD1-004	I11	97	17		J1	103	10
90651-MCF-006	H5	75	29	91207-MBB-003	F8	59	36	91406-166-000	K9	127	20		J15	117	12
90652-KT1-771	J4	106	17	91209-MB0-003	E15	50	13	91410-679-000	E4	39	19		J16	118	11
90683-GAZ-003	J15	117	10	91212-422-006	H5	75	30		K4	122	20	94050-06000	J15	117	13
	J16	118	8		H7	77	28	91508-MM5-000	I15	101	16		K4	122	6
90683-GR1-003	J12	114	22		I3	89	21	91549-MW0-790	J16	118	10				
90683-MBW-003	L10	144	18	91214-MR7-003	J12	114	26	91549-MW0-790ZA	L10	144	19		K7	125	12
	L11	145	19	91251-MCF-003	J10	112	25		L11	145	20	94050-06070	I16	102	11
90701-MR7-000	E2	37	16	91252-MCF-003	J10	112	26						J1	103	11
	E4	39	17	91253-443-761	H16	86	14	93000					K2	120	14
90701-MV9-670	F3	54	13		I1	87	14						K3	121	12
90741-413-000	F6	57	14	91253-MCF-003	J10	112	27	93401-05010-07	K13	131	26		K14	132	11
90841-001-000	K11	129	19	91254-MCF-003	I6	92	23	93401-05012-07	K11	129	21		K15	133	16
	K13	131	24		I8	94	23	93401-05020-07	I16	102	9	94050-06080	I11	97	18
90851-MCF-000	K11	129	20	91255-MCJ-751	H13	83	41		J1	103	9		K2	120	15
	K13	131	25	91255-MJ1-000	G3	70	2	93401-06014-00	L5	139	31		K3	121	13
90899-422-610	J15	117	11		K14	132	9		L6	140	22	94050-08000	J2	104	20
	J16	118	9	91256-MCF-003	H13	83	28	93411-06050-08	E8	43	21	94050-10000	K11	129	22
90899-KL8-000	J15	117	11	91256-MCJ-751	H13	83	42	93500-04032-0G	H3	73	12	94050-10070	K13	131	27
	J16	118	9	91257-MCJ-751	H13	83	43	93500-04045-0G	H3	73	13	94050-12000	K11	129	23
90901-MCF-000	F3	54	14	91258-GF4-003	H13	83	29	93500-05020-0G	H3	73	14	94050-12070	K13	131	28
				91261-KZ3-861	J12	114	27	93500-05022-0G	H3	73	15	94101-06000	I10	96	24
91000				91262-KV3-831	J13	115	18	93600-04050-1G	H5	75	31		J7	109	22
91001-MB6-680	F8	59	32		J14	116	18	93891-05018-07	H1	71	10	94101-08700	J3	105	21
91004-MBT-003	F8	59	33	91301-MCF-000	E9	44	14	93892-04008-00	F12	63	25	94102-08000	J7	109	23
91008-374-003	F9	60	15		G3	70	2		F13	64	9	94103-05700	H2	72	7
91009-MAS-003	E11	46	22	91301-P7A-004	F15	66	24		F15	66	25	94103-06000	K4	122	18
91015-KT8-005	H10	80	8	91301-PM7-003	F12	63	24	93892-04012-10	F16	67	7		L2	136	40
91016-MR7-003	H10	80	8	91302-MAL-601	F3	54	18		F15	66	26	94103-06700	I9	95	18
					G3	70	2		F16	67	8		J12	114	29
91021-MBB-003	F6	57	15	91303-377-000	E14	49	14	93892-05014-10	F16	67	8		K15	133	17
91022-MCF-003	F8	59	34		G3	70	2	93893-04012-17	H5	75	32		L5	139	32
91025-MCF-003	F8	59	35	91307-611-000	L2	136	39		H7	77	30	94103-06800	K4	122	7
91025-MT7-003	E11	46	23	91307-KF0-003	E9	44	15		I3	89	22	94103-08700	J3	105	21
91051-MCF-003	I6	92	20		G3	70	2	93901-34520	K2	120	12	94109-12000	F2	53	18
								93903-22480	H2	72	5				

4

# PART NO. INDEX

N 8

Part Number	Address	Page	Ref.	Part Number	Address	Page	Ref.	Part Number	Address	Page	Ref.	Part Number	Address	Page	Ref.
95701-06012-07	K11	129	24	96001-06032-07	K9	127	25								
95701-06014-00	E14	49	17		L5	139	38								
	F3	54	20		L6	140	26								
	F8	59	38	96001-06035-00	J15	117	14								
95701-06018-07	E5	40	21	96001-06035-07	L5	139	39								
95701-06020-00	I13	99	21	96001-06040-00	K9	127	25								
	K7	125	14	96001-06040-07	E15	50	16								
95701-06022-00	K7	125	13		I10	96	21								
95701-06025-00	E16	51	9	96001-06050-07	E15	50	17								
95701-06025-08	K4	122	19	96001-06060-07	E15	50	18								
95701-06028-00	F3	54	21	96100-60000-00	E13	48	7								
	K9	127	24		E14	49	18								
95701-06040-00	F2	53	19	96100-62003-00	E10	45	10								
95701-06045-00	F3	54	22	96211-08000	J7	109	27								
95701-08040-00	E8	43	22	96220-40080	F9	60	17								
95701-08050-00	F3	54	23	96300-06012-07	H5	75	34								
95701-08070-00	F4	55	24	96300-06016-00	I10	96	22								
95701-08080-00	F4	55	25		I13	99	23								
95701-08090-00	F4	55	26	96300-06025-07	H5	75	35								
95701-10050-00	F4	55	27	96300-06028-07	H5	75	36								
95701-10105-00	F4	55	28	96300-08035-07	H9	79	19								
95801-12055-00	K11	129	25	96400-10032-07	J8	110	9								
95801-12055-07	K13	131	29	96600-06010-00	E14	49	19								
95801-12100-00	K11	129	26	96600-06014-00	K14	132	13								
					K15	133	21								
96000				96600-06016-07	L9	143	34								
				96600-06040-00	E14	49	12								
96001-06010-07	K11	129	27	96600-08020-10	F9	60	18								
	K13	131	30	96700-08016-10	E13	48	8								
96001-06012-00	K9	127	23	98000											
96001-06014-00	E2	37	18												
	E5	40	22	98079-5815U	E3	38	19								
	F10	61	17		E5	40	23								
	I13	99	22	98079-5817U	E3	38	19								
96001-06014-07	I16	102	15		E5	40	23								
	J1	103	15	98079-5915U	E2	37	19								
	K11	129	28		E5	40	23								
	K13	131	31	98079-5917U	E2	37	19								
	L3	137	44		E5	40	23								
	L5	139	36	98200-33000	K5	123	13								
	L6	140	24	98200-41000	K7	125	15								
	L10	144	20	98200-42000	K7	125	16								
	L11	145	22												
96001-06018-00	I3	89	25	99000											
96001-06018-07	J12	114	31												
	K15	133	18	99001-08000	K16	134	13								
96001-06020-00	K7	125	14	99001-10120	K16	134	14								
96001-06020-07	E15	50	15	99002-13500	K16	134	5								
	K14	132	12	99003-10000	K16	134	15								
	K15	133	19	99003-30000	K16	134	16								
96001-06022-00	K7	125	13	99003-50000	K16	134	17								
96001-06022-07	H5	75	33	99006-22000	K16	134	18								
	H7	77	31												
96001-06025-00	F10	61	18												
96001-06025-07	J16	118	12												
96001-06028-00	L3	137	45												
96001-06028-07	K15	133	20												
	L5	139	37												
	L6	140	25												

4

# PART NAME INDEX

2-B 1

Part name	Address	Page	Ref.	Part name	Address	Page	Ref.	Part name	Address	Page	Ref.
[ A ]				BEARING, HEAD PIPE UPPER .....	H10	80	8	BOLT, BANJO, 12MM .....	I11	97	14
ADJUSTER, R. HANDLE LEVER ....	H6	76	15	BEARING, NEEDLE .....	J12	114	23	BOLT, BRAKE DISK, 8X24 .....	I5	91	14
ADJUSTER, SPRING .....	H12	82	15		J13	115	16		I7	93	14
ARM COMP., GEAR CHANGE .....	J4	106	2		J14	116	16	BOLT, CHAIN SLIDER .....	J12	114	17
ARM SUB ASSY., CUSHION .....	J13	115	6	BEARING, NEEDLE, 14X22X16 .....	F3	54	15	BOLT, CHANGE PIVOT .....	J4	106	12
	J14	116	6	BEARING, NEEDLE, 17X24X17 .....	J13	115	17	BOLT, CONNECTING ROD .....	F5	56	6
ARM, L. MAIN STEP .....	J5	107	8		J14	116	17	BOLT, COWL SETTING .....	I13	99	16
ARM, R. MAIN STEP .....	J5	107	7	BEARING, NEEDLE, 22X26X13 .....	F8	59	32		L8	142	20
AXLE, FR. WHEEL .....	H15	85	3	BEARING, NEEDLE, 22X38X16 .....	F8	59	34	BOLT, DISK, 6X17 .....	H16	86	11
	I1	87	3	BEARING, NEEDLE, 22X38X19.3 .....	F8	59	35		I1	87	11
AXLE, RR. WHEEL .....	I5	91	3	BEARING, NEEDLE, 32X42X30 .....	J10	112	24	BOLT, DRAIN PLUG, 12X15 .....	F2	53	16
	I7	93	3	BEARING, NEEDLE, 34X44X24 .....	F6	57	15	BOLT, FLANGE SOCKET, 6X14 .....	L8	142	23
				BEARING, NEEDLE, 35X42X26 .....	E11	46	23	BOLT, FLANGE, 10X105 .....	F4	55	28
				BEARING, RADIAL BALL, .....	I6	92	22	BOLT, FLANGE, 10X113 .....	J13	115	12
					I8	94	22		J14	116	12
				BEARING, RADIAL BALL, .....	I6	92	20	BOLT, FLANGE, 10X115 .....	F3	54	9
BAG, SERVICE BOOK .....	J15	117	5	27X52X23.8	I8	94	20	BOLT, FLANGE, 10X249 .....	K10	128	10
	J16	118	4		I8	94	20	BOLT, FLANGE, 10X32 .....	J8	110	9
BAG, TOOL .....	K16	134	3	BEARING, RADIAL BALL, 16003 ...	E11	46	22	BOLT, FLANGE, 10X50 .....	F4	55	27
BALL, STEEL, .....	J7	109	27	BEARING, RADIAL BALL, 20X37X9 -	J12	114	24	BOLT, FLANGE, 10X52 .....	J13	115	13
BAND, INSULATOR .....	E2	37	7	BEARING, RADIAL BALL, 22X47X14	H16	86	13		J14	116	13
					I1	87	13	BOLT, FLANGE, 10X57 .....	J13	115	9
	E4	39	7	BEARING, RADIAL BALL, 28X62X16	F8	59	33		J14	116	9
				BEARING, RADIAL BALL, 6000 .....	E13	48	7	BOLT, FLANGE, 12X100 .....	K11	129	26
BAND, L. RR. MUFFLER .....	J2	104	5		E14	49	18	BOLT, FLANGE, 12X30 .....	E11	46	16
BAND, R. RR. MUFFLER .....	J2	104	4	BEARING, RADIAL BALL, 6005 .....	I6	92	21	BOLT, FLANGE, 12X45 .....	E14	49	9
BAND, U-LOCK .....	J15	117	3		I8	94	21	BOLT, FLANGE, 12X55 .....	K11	129	25
	J16	118	2	BEARING, RADIAL BALL, 6200 ....	E10	45	10		K13	131	29
BAND, WIRE .....	H3	73	11	BEARING, RADIAL BALL, 6905RS ..	J10	112	23	BOLT, FLANGE, 5X12 .....	E1	36	8
	I11	97	12	BODY ASSY., THROTTLE .....	F11	62	14	BOLT, FLANGE, 6MM .....	J10	112	18
	J4	106	16		F14	65	13		J12	114	16
				BODY COMP., FRAME .....	K10	128	4		L2	136	36
	K7	125	19	BODY SET, FRAME .....	K12	130	5	BOLT, FLANGE, 6X10 .....	K11	129	27
	K9	127	19	BOLT-WASHER, 10X115 .....	F3	54	8		K13	131	30
BAR COMP., SIDE STAND .....	J8	110	2	BOLT-WASHER, 10X80 .....	F3	54	7	BOLT, FLANGE, 6X12 .....	H5	75	23
BAR, CHANGE .....	J4	106	11	BOLT-WASHER, 11X105 .....	E2	37	11				
BAR, L. PILLION STEP .....	J6	108	13		E4	39	12				
BAR, R. PILLION STEP .....	J6	108	12	BOLT-WASHER, 5X10 .....	K13	131	26				
BASE COMP., CONTACT .....	H8	78	3	BOLT-WASHER, 5X12 .....	K11	129	21				
BASE COMP., LICENSE LIGHT .....	K4	122	9	BOLT-WASHER, 5X14 .....	F11	62	5	BOLT, FLANGE, 6X14 .....	K21	129	24
BATTERY .....	K5	123	1		F14	65	4		E2	37	18
BEARING A, CRANKSHAFT .....	F6	57	11	BOLT-WASHER, 5X20 .....	F11	62	6		E5	40	22
BEARING A, FR. CONNECTING ROD	F5	56	8		F14	65	5		E14	49	17
BEARING A, RR. CONNECTING ROD	F5	56	9		I16	102	9		F3	54	20
BEARING B, CRANKSHAFT .....	F6	57	11		J1	103	9		F8	59	38
BEARING B, FR. CONNECTING ROD	F5	56	8	BOLT-WASHER, 6X12 .....	F1	52	15		F10	61	17
BEARING B, RR. CONNECTING ROD	F6	57	9		F9	60	11		I13	99	22
BEARING C, CRANKSHAFT .....	F6	57	11	BOLT-WASHER, 6X14 .....	L5	139	31		I16	102	15
BEARING C, FR. CONNECTING ROD	F5	56	8		L6	140	22		J1	103	15
BEARING C, RR. CONNECTING ROD	F6	57	9	BOLT-WASHER, 6X16 .....	L2	136	37		K11	129	28
BEARING D, CRANKSHAFT .....	F6	57	11	BOLT-WASHER, 6X35 .....	E11	46	17		K13	131	31
BEARING D, FR. CONNECTING ROD	F5	56	8	BOLT-WASHER, 6X50 .....	E8	43	21		L3	137	44
BEARING D, RR. CONNECTING ROD	F6	57	9	BOLT, 10X30 .....	I5	91	15		L5	139	36
BEARING E, CRANKSHAFT .....	F6	57	11		I7	93	15		L6	140	24
BEARING E, FR. CONNECTING ROD	F5	56	8	BOLT, ADJUSTING .....	H6	76	19		L10	144	20
BEARING E, RR. CONNECTING ROD	F6	57	9	BOLT, ADJUSTING, 20X48.5 .....	K10	128	14		L11	145	22
BEARING, BALL, 16005 .....	F9	60	15					BOLT, FLANGE, 6X16 .....	I10	96	22
BEARING, HEAD PIPE .....	H10	80	8	BOLT, ADJUSTING, 20X68.5 .....	K10	128	13		I13	99	23
			9				16	BOLT, FLANGE, 6X18 .....	E5	40	21

# PART NAME INDEX

2-B 2

Part name	Address	Page	Ref.	Part name	Address	Page	Ref.	Part name	Address	Page	Ref.
BOLT, FLANGE, 6X18 .....	I3	89	25	BOLT, FLANGE, 8X45 .....	H9	79	15	BOLT, SOCKET, 8X16 .....	E13	48	8
	J10	112	16		H10	80	5	BOLT, SOCKET, 8X20 .....	F9	60	18
	J12	114	31		H13	83	27	BOLT, SOCKET, 8X21 .....	J7	109	19
	K15	133	18	BOLT, FLANGE, 8X49 .....	I4	90	16	BOLT, SOCKET, 8X25 .....	J7	109	18
BOLT, FLANGE, 6X20 .....	E15	50	15	BOLT, FLANGE, 8X50 .....	F3	54	23	BOLT, SOCKET, 8X30 .....	H14	84	15
	I2	88	18	BOLT, FLANGE, 8X70 .....	F4	55	24	BOLT, SOCKET, 8X32 .....	J2	104	14
	I13	99	21	BOLT, FLANGE, 8X80 .....	F4	55	25	BOLT, SPECIAL CAP, 6MM .....	J7	109	21
	J4	106	10	BOLT, FLANGE, 8X90 .....	F4	55	26	BOLT, SPECIAL, 10MM .....	F7	58	19
	K7	125	14	BOLT, FR. AXLE .....	H16	86	12	BOLT, SPECIAL, 12X280 .....	K10	128	8
	K14	132	12		I1	87	12	BOLT, SPECIAL, 12X294 .....	K10	128	9
	K15	133	19	BOLT, FR. FORK .....	H13	83	20	BOLT, SPECIAL, 5X16 .....	L9	143	27
BOLT, FLANGE, 6X22 .....	E9	44	8					BOLT, SPECIAL, 6X16 .....	J8	110	6
	H5	75	33	BOLT, HANDLE LEVER .....	H5	75	22	BOLT, SPECIAL, 6X17 .....	H11	81	13
	H7	77	31	BOLT, HANDLE LEVER PIVOT .....	H6	76	23	BOLT, SPECIAL, 6X25 .....	J7	109	17
	K7	125	13	BOLT, HEAD COVER .....	E1	36	9	BOLT, STUD, 8X24 .....	E2	37	14
	E16	51	9						E4	39	15
BOLT, FLANGE, 6X25 .....	F10	61	18	BOLT, HEX., 8X49 .....	J10	112	17	BOLT, SWINGARM PIVOT .....	J9	111	7
	H5	75	35	BOLT, HEX., 8X50 .....	J10	112	17		J11	113	8
	J16	118	12		J12	114	15	BOLT, TANK HINGE .....	I9	95	16
	K4	122	19	BOLT, HOOK, 8X36 .....	J2	104	13	BOLT, TORX, 10X25 .....	H13	83	26
BOLT, FLANGE, 6X28 .....	E10	45	6	BOLT, LEVER SOCKET, 5X5 .....	H6	76	17	BOLT, TORX, 10X32 .....	K10	128	11
	F3	54	21	BOLT, L. SWINGARM PIVOT					K12	130	17
	H5	75	36	ADJUSTING	J9	111	9	BOLT, TORX, 8X35 .....	H14	84	13
	K9	127	24		J11	113	10	BOLT, TORX, 8X40 .....	H14	84	14
	K15	133	20	BOLT, OIL, 10X22 .....	H5	75	24	BOOT B .....	I4	90	14
	L3	137	45		H6	76	24	BOOT COMP. ....	H4	74	9
	L5	139	37		I3	89	19		H6	76	12
	L6	140	25	BOLT, ONE-WAY, 8MM .....	H9	79	14		I2	88	4
BOLT, FLANGE, 6X32 .....	E9	44	7	BOLT, PIN .....	I4	90	13	BOOT, SLEEVE .....	I4	90	7
	E14	49	7	BOLT, RECESSED, 5X28 .....	E2	37	12	BOSS, OIL FILTER .....	F1	52	14
	F1	52	12					BOX, SEAT COWL .....	I12	98	8
	K9	127	25		E4	39	13	BRACKET COMP., RR. ....	I4	90	5
	L5	139	38				14				17
	L6	140	26	BOLT, R. SWINGARM PIVOT				BRACKET COMP., RR. CUSHION			
BOLT, FLANGE, 6X35 .....	E14	49	20	ADJUSTING	J9	111	8	UPPER	J13	115	1
	F1	52	13		J11	113	9		J14	116	1
	J15	117	14	BOLT, SEALING, 8MM .....	E9	44	11	BRACKET COMP., SIDE STAND .....	J8	110	3
	L5	139	39	BOLT, SETTING .....	E16	51	3	BRACKET, L. FR. BRAKE CALIPER ..	H12	82	1
BOLT, FLANGE, 6X40 .....	E9	44	9	BOLT, SIDE COWL SETTING .....	I13	99	18	BRACKET, NUMBER PLATE .....	K4	122	15
	E14	49	8	BOLT, SIDE STAND PIVOT .....	J8	110	5	BRACKET, R. FR. BRAKE CALIPER ..	H12	82	2
	E15	50	16	BOLT, SOCKET .....	H12	82	3	BRIDGE COMP., FORK TOP .....	H9	79	12
	F2	53	19	BOLT, SOCKET FLANGE, 6X14 .....	L8	142	23	BULB .....	H1	71	7
	I10	96	21		L9	143	23	BULB, HEADLIGHT .....	H1	71	8
	K9	127	25	BOLT, SOCKET, 10X130 .....	J13	115	11	BULB, LICENSE LIGHT .....	K4	122	13
BOLT, FLANGE, 6X45 .....	E2	37	10		J14	116	11	BULB, WEDGE BASE .....	K4	122	3
	E4	39	11	BOLT, SOCKET, 10X221 .....	K12	130	15	BULB, WINKER .....	K2	120	10
	F3	54	22	BOLT, SOCKET, 10X70 .....	J13	115	10		K3	121	9
BOLT, FLANGE, 6X50 .....	E15	50	17		J14	116	10		H6	76	2
BOLT, FLANGE, 6X55 .....	E10	45	7	BOLT, SOCKET, 12X259.5 .....	K12	130	12	BUSH .....	H12	82	12
BOLT, FLANGE, 6X60 .....	E15	50	18	BOLT, SOCKET, 12X266 .....	K12	130	14	BUSH, GUIDE .....	H12	82	12
BOLT, FLANGE, 6X65 .....	E9	44	10	BOLT, SOCKET, 12X55 .....	K12	130	13	BUSH, SLIDER .....	H12	82	13
BOLT, FLANGE, 7X50 .....	E3	38	20	BOLT, SOCKET, 4X21 .....	I9	95	15				
	E5	40	24	BOLT, SOCKET, 5X9 .....	K5	123	11	[ C ]			
BOLT, FLANGE, 8X22 .....	K14	132	8	BOLT, SOCKET, 6X10 .....	E14	49	19	CABLE COMP. A, THROTTLE .....	H3	73	1
	K15	133	13	BOLT, SOCKET, 6X14 .....	K14	132	13	CABLE COMP. B, THROTTLE .....	H3	73	2
BOLT, FLANGE, 8X35 .....	H9	79	19		K15	133	21	CABLE COMP., CHOKE .....	H3	73	3
	J2	104	12	BOLT, SOCKET, 6X16 .....	L9	143	34	CABLE, BATTERY EARTH .....	K5	123	8
BOLT, FLANGE, 8X40 .....	E8	43	22	BOLT, SOCKET, 6X38 .....	E14	49	12	CABLE, SEAT LOCK .....	I12	98	3
	K12	130	16	BOLT, SOCKET, 6X40 .....	E14	49	12				



# PART NAME INDEX

2-B 3

Part name	Address	Page	Ref.	Part name	Address	Page	Ref.	Part name	Address	Page	Ref.
CABLE, STARTER BATTERY .....	K5	123	2	CIRCLIP, RR. MASTER CYLINDER ..	H4	74	4	COLLAR A .....	J15	117	9
CABLE, STARTER MOTOR .....	K5	123	5	CLAMPER A, FR. BRAKE HOSE .....	H11	81	1	COLLAR A, ENGINE HANGER .....	K12	130	20
CALIPER SUB ASSY., L. FR. ....	H14	84	10	CLAMPER B, BRAKE HOSE .....	H11	81	2	COLLAR B, ENGINE HANGER .....	K12	130	21
CALIPER SUB ASSY., RR. ....	I4	90	8	CLAMPER, A.C. GENERATOR CORD ..	E14	49	6	COLLAR B, RR. WHEEL DISTANCE ..	I5	91	8
CALIPER SUB ASSY., R. FR. ....	H14	84	12	CLAMPER, FR. BRAKE HOSE .....	H4	74	7	COLLAR C, CUSHION ARM .....	I7	93	8
CAMSHAFT COMP., FR. EX. ....	E6	41	5	CLAMPER, RR. BRAKE HOSE .....	I2	88	1	COLLAR C, ENGINE HANGER .....	J13	115	7
CAMSHAFT COMP., FR. IN. ....	E6	41	3	CLAMP, CLUTCH PIPE .....	H6	76	10	COLLAR C, ENGINE HANGER .....	J14	116	7
CAMSHAFT COMP., RR. EX. ....	E6	41	6	CLAMP, HOSE, 22-29MM .....	F10	61	7	COLLAR D, ENGINE HANGER .....	K12	130	22
CAMSHAFT COMP., RR. IN. ....	E6	41	4	CLAMP, HOSE, 24-32MM .....	L2	136	32	COLLAR D, ENGINE HANGER .....	K12	130	23
CAP ASSY., FR. NOISE				CLAMP, HOSE, 30-37MM .....	L4	138	24	COLLAR, 28X13 .....	F7	58	14
SUPPRESSOR	K6	124	3	CLAMP, HOSE, 30-37MM .....	L6	140	16	COLLAR, 30X11.2 .....	F7	58	7
CAP ASSY., RR. NOISE				CLAMP, MASTER CYLINDER OIL				COLLAR, 6.3X13 .....	H4	74	20
SUPPRESSOR	K8	126	4	HOSE	G1	68	11	COLLAR, 8X12 .....	J2	104	19
CAP COMP., FUEL FILLER .....	I9	95	10	HOSE	H4	74	2	COLLAR, 8X18 .....	J2	104	16
CAP COMP., FUEL TANK .....	I9	95	10	HOSE	I2	88	9	COLLAR, AIR CLEANER SETTING ...	K7	125	17
CAP COMP., RADIATOR .....	L1	135	16	CLAMP, TUBE .....	I11	97	17	COLLAR, BATTERY TRAY .....	H11	81	9
L4	L4	138	8	CLAMP, WATER HOSE, 25MM .....	F10	61	5	COLLAR, CONNECTING ROD PIVOT ..	J13	115	3
CAP, 14MM .....	E14	49	10	G1	G1	68	9	COLLAR, CUSHION ARM .....	J14	116	3
CAP, 30MM .....	E14	49	11	G1	G1	68	1	COLLAR, CUSHION ARM .....	J13	115	4
CAP, AIR INTAKE VALVE SHAFT ..	L8	142	17	G1	G1	68	9	J14	J14	116	4
CAP, BLEEDER .....	E15	50	11	G1	G1	68	11	J14	J14	116	4
H14	H14	84	5	CLIP B, FUEL HOSE .....	F15	66	27	H15	H15	85	6
I4	I4	90	11	CLIP, 2X50 .....	L9	143	33	I1	I1	87	6
CAP, BOOST .....	F11	62	13	CLIP, 2X60 .....	E4	39	19	COLLAR, FR. CUSHION OUTER .....	E9	44	6
F14	F14	65	12	CLIP, 4X50 .....	K4	122	20	COLLAR, KILL SENSOR MOUNTING ..	K9	127	18
CAP, CLUTCH OIL CUP .....	H6	76	6	E15	E15	50	12	COLLAR, L. FR. WHEEL SIDE .....	H15	85	5
CAP, FR. COVER .....	I14	100	3	K7	K7	125	11	I1	I1	87	5
CAP, OIL CUP .....	H4	74	14	K7	K7	125	11	COLLAR, L. PIVOT DISTANCE .....	J9	111	12
I2	I2	88	8	CLIP, AIR HOSE, 21.5 .....	G1	68	5	J11	J11	113	12
CAP, OIL FILLER .....	E9	44	5	CLIP, BIND .....	F12	63	21	COLLAR, OIL COOLER .....	K14	132	7
CAP, RESERVE TANK .....	L2	136	22	CLIP, BODY .....	F14	65	21	COLLAR, OIL COOLER MOUNTING ...	K14	132	7
L4	L4	138	17	CLIP, BODY COVER .....	L10	144	18	COLLAR, RADIATOR MOUNTING .....	K15	133	10
CAP, STEERING STEM NUT .....	H9	79	20	L11	L11	145	19	L1	L1	135	18
CARTRIDGE, OIL FILTER .....	F1	52	8	L12	L12	114	22	L4	L4	138	14
CASE ASSY., UPPER .....	H2	72	2	CLIP, BREATHER TUBE .....	G1	68	2	L6	L6	140	12
CASE A, DRIVE CHAIN .....	J9	111	2	CLIP, PANEL FIXING .....	J16	118	10	COLLAR, RR. AXLE DISTANCE .....	I5	91	7
J11	J11	113	3	L10	L10	144	19	I7	I7	93	7
CASE B, DRIVE CHAIN .....	J9	111	3	L11	L11	145	20	COLLAR, RR. BRAKE SIDE .....	I5	91	4
J11	J11	113	4	CLIP, PISTON PIN, 23MM .....	F6	57	13	I7	I7	93	4
CASE COMP., AIR CLEANER .....	I14	100	1	CLIP, SCREEN MOLDING .....	L7	141	3	COLLAR, RR. FENDER .....	K4	122	14
CASE COMP., THERMOSTAT .....	F10	61	3	CLIP, TRIM .....	J15	117	10	COLLAR, RR. WHEEL AXLE L. ....	J9	111	5
CENTER COMP., SHIFT DRUM .....	F9	60	4	CLIP, TUBE .....	J16	118	8	J11	J11	113	6
CENTER, CLUTCH .....	E11	46	4	E9	E9	44	19	COLLAR, RR. WHEEL AXLE R. ....	J9	111	6
CHAIN KIT, DRIVE .....	J10	112	30	F12	F12	63	27	J11	J11	113	7
J11	J11	113	2	F15	F15	66	28	COLLAR, RR. WHEEL SIDE .....	I5	91	5
CHAIN SET, DRIVE .....	J9	111	1	CLIP, WIRE .....	K9	127	20	I7	I7	93	5
J11	J11	113	1	CLIP, WIRE, 2X40 .....	I15	101	21	COLLAR, R. FR. WHEEL SIDE .....	H15	85	4
CHAIN, OIL PUMP .....	F1	52	4	L9	L9	143	32	COLLAR, R. SWINGARM PIVOT	I1	87	4
CHAMBER A .....	I14	100	14	CLUTCH, ONE WAY .....	E13	48	4	DISTANCE	J9	111	11
CIRCLIP .....	H5	75	29	COIL, FR. IGNITION .....	K6	124	1	J11	J11	113	11
H7	H7	77	27	K7	K7	125	18	I9	I9	95	12
I2	I2	88	15	COIL, RR. IGNITION .....	K8	126	3	COLLAR, K8	K8	126	8
CIRCLIP, 28MM .....	F8	59	29	COLLAR .....	J10	112	15	K15	K15	133	11
CIRCLIP, 30MM .....	F8	59	30	K8	K8	126	10	L9	L9	143	36
CIRCLIP, EXTERNAL, 14MM .....	F9	60	16	L1	L1	135	1	COLLAR, SIDE COWL SETTING .....	I13	99	17
CIRCLIP, EXTERNAL, 15MM .....	J4	106	19	CLIP, WIRE .....	K9	127	20	COLLAR, SPECIAL .....	E9	44	2
CIRCLIP, EXTERNAL, 32MM .....	E9	44	18	CLIP, WIRE, 2X40 .....	I15	101	21	COLLAR, SPLINE, 28X13.5 .....	F7	58	12
CIRCLIP, INTERNAL, 37MM .....	J12	114	30	L9	L9	143	32				
CIRCLIP, INTERNAL, 45MM .....	J10	112	29	E13	E13	48	4				



# PART NAME INDEX

2-B 4

Part name	Address	Page	Ref.	Part name	Address	Page	Ref.	Part name	Address	Page	Ref.
COLLAR, SPLINE, 30X11 .....	F7	58	10	CUSHION ASSY., RR. ....	J13	115	2	DUST SEAL, 26X37X5 .....	J12	114	26
COLLAR, SPRING .....	H12	82	7	.....	J14	116	2	DUST SEAL, 27X34X4 .....	J12	114	27
COLLAR, STEP LOWER .....	J7	109	16	CUSHION RING, INJECTOR .....	F11	62	17	DUST SEAL, 28X37X4 .....	J12	114	25
COLLAR, SWINGARM PIVOT CENTER				.....	F14	65	17	DUST SEAL, 30X47X8 .....	H16	86	14
DISTANCE	J9	111	10	CUSHION, EX. PIPE MOUNTING ----	J2	104	15	.....	I1	87	14
COLLAR, TAILLIGHT MOUNTING ...	L5	139	27	CUSHION, FUEL TANK .....	I9	95	9	DUST SEAL, 31X40X5 .....	J10	112	25
.....	L6	140	19	CUSHION, FUEL TANK PIVOT .....	I9	95	2	DUST SEAL, 32X42X5 .....	J10	112	27
CONNECTOR, EARTH .....	F10	61	12	CUSHION, RADIATOR GRILLE .....	L1	135	8	DUST SEAL, 32X45X5 .....	J10	112	26
CONNECTOR, MASTER CYLINDER ...	H4	74	8	.....	L4	138	5	DUST SEAL, 35X52X7.5 .....	I6	92	23
.....	I2	88	3	.....	L6	140	7	.....	I8	94	23
CONVERTER UNIT, C.D.I. ....	K8	126	1	CUSHION, RR. FENDER .....	J2	104	11	DUST SEAL, STEERING HEAD .....	H10	80	1
COOLER COMP., OIL .....	K14	132	1	CYLINDER ASSY., SLAVE .....	E15	50	5	.....			2
.....	K15	133	1	CYLINDER SET, MASTER .....	H4	74	18				
COTTER, VALVE .....	E6	41	17	CYLINDER SUB ASSY., CLUTCH				[ E ]			
COUNTERSHAFT COMP. ....	F7	58	3	MASTER	H6	76	7	ELEMENT, AIR CLEANER .....	I14	100	7
COVER A, STARTER MAGNETIC				CYLINDER SUB ASSY., FR. BRAKE				EMBLEM, WING MARK .....	H9	79	13
TERMINAL	K5	123	3	MASTER	H4	74	11				
COVER B, STARTER MAGNETIC				CYLINDER SUB ASSY., FR. MASTER	H4	74	11	[ F ]			
TERMINAL	K5	123	4	CYLINDER SUB ASSY., RR. MASTER	I2	88	5	FAN COMP., COOLING .....	L1	135	5
COVER COMP., A.C. GENERATOR ..	E14	49	2					L4	138	2	
COVER COMP., CLUTCH .....	E9	44	3	[ D ]				L6	140	4	
COVER COMP., FR. CYLINDER HEAD	E1	36	1	DAMPER COMP., FR. ....	H13	83	18	FENDER COMP., FR. ....	H11	81	3
.....				DAMPER SET, WHEEL .....	I5	91	1	FENDER COMP., RR. ....	J15	117	6
COVER COMP., LICENSE LIGHT ...	K4	122	11	DIAPHRAGM .....	H4	74	17	.....	J16	118	5
COVER COMP., L. CRANKCASE ....	E15	50	1	H6	H6	76	5	FILTER COMP., FUEL .....	I11	97	8
COVER COMP., RR. CYLINDER HEAD	E1	36	2	I2	I2	88	13	FILTER, AIR INTAKE DUCT .....	L7	141	14
COVER COMP., R. ....	E9	44	1	DIAPHRAGM, CONTROL VALVE .....	I16	102	1	FILTER, FUEL RETURN .....	I11	97	4
COVER COMP., WATER PUMP .....	E10	45	3	J1	J1	103	1	FLANGE SUB ASSY., RR. DRIVEN ..	I5	91	6
COVER, AIR CLEANER .....	I14	100	6	DIODE ASSY., THREE WAY .....	K6	124	4	I7	I7	93	6
COVER, BATTERY TERMINAL .....	K5	123	7	DISK A, CLUTCH FRICTION .....	E11	46	6	FLOAT, RR. MASTER CYLINDER .....	H4	74	5
COVER, BATTERY TRAY .....	J15	117	8	E12	E12	47	25	FLYWHEEL COMP. ....	E14	49	4
.....	J16	118	6	DISK B, CLUTCH FRICTION .....	E12	47	25	FORK ASSY., L. FR. ....	H13	83	23
COVER, DIAPHRAGM .....	I16	102	8	DISK COMP., L. FR. BRAKE .....	H16	86	10	FORK ASSY., R. FR. ....	H12	82	4
.....	J1	103	8	I1	I1	87	10	FORK, CENTER GEARSHIFT .....	F9	60	2
COVER, DUST .....	H4	74	10	DISK COMP., R. FR. BRAKE .....	H15	85	9	FORK, GEARSHIFT .....	F9	60	1
.....	J4	106	4	DISK, CLUTCH FRICTION .....	E11	46	5	FUNNEL, FR. AIR .....	I14	100	8
COVER, FR. DUCT .....	I14	100	2	DISK, RR. BRAKE .....	I5	91	13	FUNNEL, RR. AIR .....	I14	100	9
COVER, PGM-FI UNIT .....	J15	117	1	DOWEL PIN, 10X16 .....	E2	37	17	FUSE, BLADE .....	K5	123	13
COVER, REED VALVE .....	E1	36	7	E4	E4	39	20	FUSE, MINI .....	K7	125	15
COVER, RR. CYLINDER HEAD .....	E1	36	13	F3	F3	54	13				
COVER, RUBBER .....	H1	71	2	DOWEL PIN, 8X14 .....	E10	45	9	[ G ]			
COVER, STARTER MOTOR TERMINAL	K5	123	6	E14	E14	49	16	GASKET B, CYLINDER HEAD COVER ..	E2	37	5
COVER, THERMOSTAT .....	F10	61	4	E15	E15	50	14	E4	E4	39	5
COWL SET, L. LOWER .....	L10	144	5	DOWEL PIN, 8X20 .....	E9	44	17	G2	G2	69	1
.....	L11	145	7	DOWEL PIN, 8X31.5 .....	E8	43	20	GASKET SET .....	F11	62	2
COWL SET, R. LOWER .....	L10	144	2	DOWEL PIN, 9X14 .....	E2	37	16	F14	F14	65	1
.....	L11	145	4	DRIVER 1, PLUS SCREW .....	K16	134	15	GASKET SHEET KIT A .....	G2	69	1
COWL SET, SEAT .....	I12	98	10	DRIVER 3, MINUS SCREW .....	K16	134	16	GASKET SHEET KIT B .....	G3	70	1
COWL SET, UPPER .....	L7	141	10	DRUM COMP., GEARSHIFT .....	F9	60	3	GASKET, A.C. GENERATOR COVER ..	E14	49	1
COWL, INNER .....	L7	141	9	DUCT A, AIR INTAKE .....	L7	141	12	G3	G3	70	1
COWL, INNER LOWER .....	L10	144	12	DUCT B, AIR INTAKE .....	L7	141	15	GASKET, CLUTCH COVER .....	E9	44	4
.....	L11	145	14	DUST SEAL .....	H13	83	28	G3	G3	70	1
CRANKCASE SET .....	F3	54	1	DUST SEAL, 17X24X5 .....	J13	115	18	GASKET, EX. PIPE .....	G2	69	1
.....	F4	55	29	.....	J14	116	18	J2	J2	104	2
CRANKSHAFT COMP. ....	F6	57	10					GASKET, FR. CYLINDER HEAD .....	E2	37	4
CUP COMP., OIL .....	H4	74	12								
.....	H6	76	4								
.....	I2	88	6								
CUP, SLAVE CYLINDER .....	E15	50	9								



# PART NAME INDEX

2-B 5

Part name	Address	Page	Ref.	Part name	Address	Page	Ref.	Part name	Address	Page	Ref.
GASKET, FR. CYLINDER HEAD	G2	69	1	GUIDE B, L. RADIATOR INNER	L1	135	10	HOSE, MASTER CYLINDER	I2	88	7
GASKET, FR. CYLINDER HEAD COVER	E1	36	4	GUIDE B, R. RADIATOR INNER	L6	140	8	HOSE, MASTER CYLINDER OIL	H4	74	13
	G2	69	1		L1	135	9	HOSE, SOLENOID VALVE	I16	102	5
GASKET, L. CRANKCASE COVER	E15	50	2	GUIDE, BRAKE HOSE	L4	138	7		J1	103	5
	G3	70	1	GUIDE, CLUTCH OUTER	I3	89	26	HOUSING, THROTTLE UNDER	H3	73	10
GASKET, RR. CYLINDER HEAD	E4	39	4	GUIDE, CLUTCH OUTER	E11	46	3	HOUSING, THROTTLE UPPER	H3	73	9
	G2	69	1	GUIDE, EX. VALVE	E2	37	3				
GASKET, RR. CYLINDER HEAD COVER	E1	36	5	GUIDE, IN. VALVE	E4	39	3	[ I ]			
	G2	69	1		E2	37	2	IMPELLER COMP., WATER PUMP	E10	45	1
GASKET, SLAVE CYLINDER	E15	50	6	[ H ]	E4	39	2	INJECTOR ASSY., FUEL	F14	65	15
	G3	70	1					INSULATOR, THROTTLE BODY	E2	37	6
GASKET, WATER PUMP COVER	E10	45	4	HARNESS, FR. SUB WIRE	K6	124	6		E4	39	6
	G3	70	1	HARNESS, FR. WIRE	K6	124	5	[ J ]			
GAUGE, FEELER, 0.7MM	K16	134	4	HARNESS, RR. WIRE	K8	126	6	JET, OIL	F3	54	14
GEAR COMP., STARTING DRIVEN	E13	48	2	HARNESS, WIRE	K6	124	5	JOINT A, VACUUM TUBE	F12	63	22
GEAR TRAIN COMP., FR.	E6	41	7	HEADLIGHT UNIT, L.	H1	71	6		F14	65	22
GEAR TRAIN COMP., RR.	E6	41	8	HEADLIGHT UNIT, R.	H1	71	1	JOINT SET	F11	62	3
GEAR, COUNTERSHAFT FIFTH	F7	58	15	HEAD ASSY., FR. CYLINDER	E2	37	1		F14	65	2
GEAR, COUNTERSHAFT FIRST	F7	58	4	HEAD ASSY., RR. CYLINDER	E4	39	1	JOINT, 3WAY	L2	136	29
GEAR, COUNTERSHAFT FOURTH	F7	58	11	HOLDER SET, BRUSH	E16	51	4		L4	138	22
GEAR, COUNTERSHAFT SECOND	F7	58	6	HOLDER, FR. CONNECTING TUBE	K10	128	2	JOINT, BRAKE ROD	I2	88	17
GEAR, COUNTERSHAFT SIXTH	F7	58	17		K12	130	2	JOINT, BREATHER TUBE	I9	95	1
GEAR, COUNTERSHAFT THIRD	F7	58	9	HOLDER, L. MAIN STEP	J5	107	9	JOINT, DRIVE CHAIN	J9	111	4
GEAR, MAINSHAFT FIFTH	F7	58	13		J6	108	9		J11	113	5
GEAR, MAINSHAFT SECOND	F7	58	5	HOLDER, L. PILLION STEP	J6	108	15	JOINT, LEVER	H6	76	18
GEAR, MAINSHAFT SIXTH	F7	58	16		J7	109	15	JOINT, TUBE	I9	95	11
GEAR, MAINSHAFT THIRD & FOURTH	F7	58	8	HOLDER, MASTER CYLINDER	H4	74	15	JOINT, TWO WAY	I16	102	2
GEAR, PRIMARY DRIVE	E11	46	12		H6	76	13		J1	103	2
GEAR, STARTER IDLE	E13	48	5	HOLDER, R. MAIN STEP	J5	107	2	[ K ]			
GEAR, TIMING	F6	57	12	HOLDER, R. PILLION STEP	J6	108	14	KEY SET	H8	78	1
GEAR, WATER PUMP DRIVEN	E10	45	5	HOOK, SEAT CATCH	I12	98	7	KEY, BLANK	H8	78	4
GENERATOR ASSY., PULSE	E14	49	3	HORN COMP.	K10	128	3	KEY, SEAT LOCK	I12	98	11
GRILLE COMP., OIL COOLER	L11	145	1		K12	130	3	KEY, WOODRUFF, 25X14	F6	57	14
GRILLE, L. RADIATOR	L1	135	14	HOSE A, FUEL RETURN	I11	97	9	KNOCKER, CLUTCH	H6	76	16
GRILLE, RADIATOR	L3	137	46	HOSE A, PUMP	I11	97	2	[ L ]			
	L4	138	4	HOSE A, RADIATOR	L2	136	23	LABEL	H13	83	38
	L6	140	6		L4	138	18	LABEL, ACCESSORIES & LOADING	L12	146	6
GRILLE, R. RADIATOR	L1	135	7	HOSE B, FR. WATER	F10	61	10		L13	147	13
GRIP ASSY., THROTTLE	H3	73	6	HOSE B, RADIATOR	L2	136	24	LABEL, CHAIN ADJUSTER	L12	146	5
GRIP, L. HANDLE	H3	73	8		L4	138	19	LABEL, COLOR	L13	147	9
GRIP, RR. WHEEL WRENCH	K16	134	12	HOSE B, RR. WATER	F10	61	9	LABEL, DRIVE	L13	147	7
GRIP, R. HANDLE	H3	73	7	HOSE COMP. A, OIL	K15	133	6	LABEL, DRIVE CHAIN	L12	146	4
GRIP, SCREW DRIVER	K16	134	17	HOSE COMP. B, OIL	K15	133	7	LABEL, FRENCH TRANSLATION	L13	147	8
GROMMET	K8	126	11	HOSE COMP., FR. BRAKE	H4	74	6	LABEL, FUEL	L13	147	10
GROMMET A, RR. COVER	H11	81	8	HOSE COMP., RR. BRAKE	H4	74	6	LABEL, FUEL CAUTION	L12	146	1
GROMMET, AIR DUCT	K11	129	20	HOSE COMP., FUEL FEED	I11	97	10	LABEL, HIGH ALTITUDE	L13	147	12
	K13	131	25	HOSE COMP., L. OIL	K14	132	5	LABEL, IGNITION NOISE	L13	147	11
GROMMET, CHOKE ROD	L11	145	2	HOSE COMP., RR. BRAKE	I2	88	2	LABEL, LOADING	L13	147	13
GUARD A, HEAT	L10	144	7	HOSE COMP., R. OIL	K14	132	4	LABEL, MINI FUSE	K6	124	8
	L11	145	9	HOSE C, RADIATOR	L2	136	25	LABEL, RADIATOR CAP	L4	138	11
GUARD B, HEAT	L10	144	8		L4	138	20	LABEL, TAMPER PROOF	L13	147	14
	L11	145	10	HOSE D, RADIATOR	L2	136	26	LABEL, TIRE	L12	146	3
GUARD, L. STEP	J6	108	10		L4	138	21				
	J7	109	29	HOSE E, RADIATOR	L2	136	28				
GUARD, R. STEP	J5	107	3		L4	138	21				
	J7	109	28	HOSE F, RADIATOR	L2	136	24				
GUARD, SEAT LOCK CABLE	I12	98	4		L6	140	14				
				HOSE G, RADIATOR	F10	61	6				
				HOSE H, RADIATOR	L2	136	30				
					L6	140	15				

# PART NAME INDEX

2-B 6

Part name	Address	Page	Ref.	Part name	Address	Page	Ref.	Part name	Address	Page	Ref.
LENS COMP., TAILLIGHT .....	K4	122	1	MAT, R. RADIATOR INNER .....	L1	135	11	NUT, RR. AXLE U, 16MM .....	J14	116	15
LENS, LICENSE LIGHT .....	K4	122	10	METER ASSY. ....	H2	72	3	NUT, SERRATE, 5MM .....	L2	136	38
LENS, L. WINKER .....	K3	121	8	METER ASSY., COMBINATION .....	H2	72	1		L5	139	29
LENS, R. WINKER .....	K3	121	5	MIRROR ASSY., L. BACK .....	L8	142	22		L6	140	20
LENS, WINKER .....	K1	119	2	MIRROR ASSY., R. BACK .....	L8	142	21	NUT, SETTING .....	K15	133	8
				MOLDING, WIND SCREEN .....	L7	141	4		L1	135	3
LEVER ASSY., L. HANDLE .....	H6	76	20	MOTOR ASSY., FAN .....	L1	135	6		L4	138	1
LEVER ASSY., R. HANDLE .....	H5	75	21		L4	138	3	NUT, SIDE STAND .....	J8	110	7
LEVER SET, STARTER .....	F13	64	1		L6	140	5	NUT, SPECIAL, 4MM .....	K4	122	16
	F16	67	1	MOTOR ASSY., STARTING .....	E16	51	1	NUT, SQUARE, 5MM .....	E2	37	9
LIFTER, VALVE .....	E6	41	11	MUFFLER ASSY., L. EX. ....	J2	104	8		E4	39	9
LIGHT ASSY., LICENSE .....	K4	122	8	MUFFLER COMP., R. EX. ....	J2	104	3	NUT, STEERING STEM .....	H9	79	17
LIMITTER ASSY., TORQUE .....	E13	48	6					NUT, STEERING STEM FLANGE .....	H9	79	17
LOCK, PURSE .....	K6	124	7	[ N ]				NUT, U, 10MM .....	I6	92	16
									I7	93	16
[ M ]				NUT-WASHER, 6MM .....	E16	51	6		J13	115	14
MAINSHAFT .....	F7	58	1	NUT A, SEALING, 12MM .....	I11	97	15		J14	116	14
MARK .....	L15	149	19	NUT, CAP, 6MM .....	H5	75	25	NUT, U, 18MM .....	J12	114	18
	M3	153	26		H7	77	25	NUT, U, 22MM .....	I6	92	17
MARK A, L. LOWER COWL .....	L14	148	13	NUT, COWL SETTING, 5MM .....	H11	81	7		I7	93	17
	M2	152	14		L9	143	25		J10	112	20
MARK A, R. LOWER COWL .....	L14	148	12		L10	144	14	NUT, U, 6MM .....	H5	75	26
	M2	152	13	NUT, FLANGE, 10MM .....	L11	145	15		I9	95	17
MARK B, LOWER COWL .....	M2	152	15		L10	144	14				
MARK B, L. LOWER COWL .....	L14	148	15	NUT, FLANGE, 12MM .....	K11	129	22	[ O ]			
	L15	149	15		K13	131	27	OIL SEAL, 12X22X5 .....	E10	45	8
	L16	150	14	NUT, FLANGE, 4MM .....	K13	131	28	OIL SEAL, 14X22X5 .....	F3	54	16
MARK B, R. LOWER COWL .....	L14	148	14	NUT, FLANGE, 5MM .....	K9	127	22	OIL SEAL, 16X30X6.5 .....	E9	44	13
	L16	150	13		H11	81	14	OIL SEAL, 39X72X8 .....	F8	59	36
MARK B, SEAT COWL .....	L15	149	17	NUT, FLANGE, 6MM .....	I16	102	10	OIL SEAL, 8X18X5 .....	E15	50	13
MARK C, LOWER COWL .....	M2	152	16		J1	103	10	OIL SEAL, 8X25X7 .....	F3	54	17
MARK C, SEAT COWL .....	L15	149	18		J15	117	12	ORIFICE, 1.2MM .....	F3	54	2
	M1	151	21		J16	118	11	O-RING .....	E16	51	8
MARK, DRIVE CHAIN CAUTION .....	L12	146	4		I11	97	18		F15	66	24
MARK, SEAT COWL .....	M3	153	25		I16	102	11	O-RING, 10.8X2.4 .....	H7	77	29
MARK, UPPER COWL .....	L16	150	4		J1	103	11	O-RING, 11.1X3.5 .....	H13	83	41
	M2	152	4		J15	117	13		G3	70	2
MARK, WINDSCREEN .....	L14	148	1		K2	120	14	O-RING, 12X3 .....	K14	132	9
	L16	150	1		K3	121	12		K15	133	14
MARK, WIND SCREEN .....	L16	150	1		K4	122	6	O-RING, 13.5X1.4 .....	G3	70	2
	M2	152	1					O-RING, 13.8X2.4 .....	K14	132	10
MAT A, LOWER COWL .....	L10	144	3					O-RING, 13.8X2.5 .....	K15	133	15
	L11	145	5					O-RING, 13.8X2.5 .....	L2	136	39
MAT A, L. RADIATOR .....	L6	140	9	NUT, FLANGE, 7MM .....	K7	125	12	O-RING, 14.7X2.2 .....	H13	83	30
MAT A, R. RADIATOR .....	L4	138	9	NUT, FLANGE, 8MM .....	K14	132	11		E14	49	14
MAT B, L. FUEL TANK .....	I9	95	4		K15	133	16	O-RING, 14.7X2.2 .....	G3	70	2
MAT B, L. LOWER COWL .....	L10	144	6	NUT, GOVERNOR ARM FIXING .....	J2	104	17		F2	53	17
	L11	145	8	NUT, HEX., 6MM .....	J4	106	13	O-RING, 14.8X2.4 .....	G3	70	2
MAT B, L. RADIATOR .....	L6	140	10	NUT, HEX., 8MM .....	J4	106	18		H5	75	30
MAT B, MIDDLE COWL .....	L10	144	1		I3	89	23	O-RING, 16X2.1 .....	H7	77	28
	L11	145	3	NUT, LOCK .....	J10	112	28	O-RING, 17.8X2.4 .....	I3	89	21
MAT B, R. FUEL TANK .....	I9	95	3		J12	114	28	O-RING, 18X2.4 .....	E4	39	18
MAT B, R. RADIATOR .....	L4	138	12	NUT, LOCK, 20MM .....	H13	83	35		H13	83	31
MAT, LOWER COWL INNER .....	L10	144	13	NUT, LOCK, 25MM .....	K11	129	17	O-RING, 18X3 .....	E9	44	16
MAT, L. FR. ENGINE HANGER .....	K12	130	7	NUT, LOCK, 36MM .....	E11	46	18		G3	70	2
MAT, L. RADIATOR INNER .....	L1	135	13		J10	112	21		E9	44	15
MAT, PGM-FI UNIT .....	J15	117	7	NUT, RR. AXLE U, 16MM .....	J12	114	19		G3	70	2
MAT, R. FR. ENGINE HANGER .....	K12	130	6		J13	115	15		G3	70	2



# PART NAME INDEX

2-B 7

Part name	Address	Page	Ref.	Part name	Address	Page	Ref.	Part name	Address	Page	Ref.
0-RING, 18.1X3.6 .....	F3	54	18	PIPE A, RR. EX. ....	J2	104	9	PLUG, SPARK .....	E5	40	23
	G3	70	2	PIPE A, WATER .....	F10	61	8	PUMP ASSY., OIL .....	F1	52	2
0-RING, 19X3 .....	F10	61	15	PIPE B, RR. EX. ....	J2	104	10	PUMP SUB ASSY., FUEL .....	I11	97	1
	G3	70	2	PIPE COMP. A, FUEL .....	F11	62	18				
0-RING, 19.9X3.1 .....	E9	44	14		F14	65	18				
	G3	70	2	PIPE COMP. B, FUEL .....	F11	62	19				
0-RING, 23.3X2.4 .....	H13	83	42		F14	65	19	[ R ]			
0-RING, 23.7X2.4 .....	H13	83	32	PIPE COMP., CLUTCH .....	H6	76	9	RADIATOR COMP., L. ....	L1	135	2
0-RING, 24.4X3.1 .....	E16	51	7	PIPE COMP., EX. ....	J2	104	1		L6	140	1
	G3	70	2	PIPE COMP., L. STEERING HANDLE .....	H9	79	11	RADIATOR COMP., R. ....	L1	135	20
0-RING, 30MM .....	E14	49	15	PIPE COMP., R. STEERING HANDLE .....	H8	78	5		L4	138	15
	G3	70	2	PIPE, CP .....	H1	71	3	RAIL COMP., SEAT .....	K10	128	5
0-RING, 42.2X2.4 .....	H13	83	29	PIPE, L. SLIDE .....	H13	83	25		K12	130	8
0-RING, 43.5X2.0 .....	F10	61	16					RECTIFIER ASSY., REGULATOR .....	K8	126	5
	G3	70	2	PIPE, RR. EX. ....	J3	105	22	REFLECTOR, FR. REFLEX .....	H11	81	10
0-RING, 51X2 .....	I6	92	24	PIPE, R. SLIDE .....	H13	83	17	REFLECTOR, REFLEX .....	J15	117	2
	I8	94	24						J16	118	1
0-RING, 7.3X2.2 .....	F12	63	24	PIPE, WATER .....	L2	136	27	REGULATOR ASSY., PRESSURE .....	F11	62	20
0-RING, 9.5X1.5 .....	H13	83	43		L6	140	13		F14	65	20
OUTER COMP., CLUTCH .....	E11	46	2	PISTON .....	I4	90	3	RELAY COMP., STARTER .....	K7	125	9
OUTER, STARTING CLUTCH .....	E13	48	3	PISTON A .....	H14	84	8		K8	126	14
								RELAY COMP., WINKER .....	K8	126	12
[ P ]				PISTON B .....	H14	84	8	RETAINER, PLASTIC .....	L10	144	9
									L11	145	11
PACKING SET, INJECTOR .....	F11	62	1	PISTON SET, MASTER CYLINDER .....	H6	76	3	RETAINER, RR. BRACKET .....	I4	90	6
PACKING, AIR INTAKE DUCT .....	L8	142	16		I2	88	11	RETAINER, VALVE SPRING .....	E6	41	14
PACKING, BASE .....	I11	97	11	PISTON, FR. ....	F5	56	2	RING .....	E16	51	5
PACKING, LENS .....	K1	119	3	PISTON, RR. ....	F5	56	3	RING B, STOPPER .....	H12	82	16
	K3	121	6	PISTON, SLAVE CYLINDER .....	E15	50	7	RING SET, PISTON .....	F5	56	1
	K4	122	12	PIVOT, SHIFT DRUM STOPPER ARM .....	F9	60	12	RING, BACK UP .....	H12	82	11
PACKING, OIL STRAINER .....	F1	52	6	PLATE B, ADJUSTING .....	H13	83	36	RING, HANDLE WEIGHT SNAP .....	H9	79	8
	G3	70	2	PLATE COMP., SPRING ADJUSTER .....	H12	82	8	RING, OIL SEAL STOPPER .....	H13	83	19
PACKING, RR. EX. ....	G2	69	1	PLATE, AIR GUIDE .....	K14	132	3	RING, SNAP, 72MM .....	F8	59	31
	J2	104	7		K15	133	4	RING, STOPPER .....	H13	83	21
PAD SET, FR. ....	H14	84	3	PLATE, BEARING SETTING .....	F7	58	2				
PAD SET, RR. ....	I4	90	2	PLATE, CAP .....	I14	100	4	ROD ASSY., FR. CONNECTING .....	F5	56	5
PANEL SET, SEAT COWL .....	I12	98	12	PLATE, CENTERING .....	H12	82	14	ROD ASSY., RR. CONNECTING .....	F5	56	7
PANEL, SEAT COWL .....	I12	98	12	PLATE, CLUTCH .....	E11	46	7	ROD COMP., CLUTCH LIFTER .....	E11	46	11
PAN, OIL .....	F1	52	1	PLATE, CLUTCH PRESSURE .....	E11	46	8	ROD COMP., PUSH .....	I2	88	12
PEDAL COMP., GEAR CHANGE .....	J4	106	3	PLATE, DIAPHRAGM .....	H4	74	16	ROD SET, STARTER .....	F13	64	2
PEDAL, RR. BRAKE .....	J4	106	7		H6	76	8		F16	67	2
PGM-FI UNIT .....	K9	127	16		I2	88	14	ROD SUB ASSY., CUSHION			
				PLATE, DRIVE CHAIN GUIDE .....	E15	50	3	CONNECTING	J13	115	8
PICK UP ASSY. ....	E4	39	10	PLATE, PILLION STEP CLICK .....	J6	108	11		J14	116	8
PIECE, CLUTCH JOINT .....	E11	46	9	PLATE, PORT .....	E1	36	3	ROD, PUSH .....	H6	76	1
PIN B, DOWEL, 8X10 .....	F8	59	37	PLATE, REGISTERED NUMBER .....	L12	146	2	ROLLER, 4X8 .....	F9	60	17
PIN B, DOWEL, 8X14 .....	F3	54	19	PLATE, SPINDLE .....	F3	54	3	RUBBER A, PROTECTOR .....	L7	141	5
PIN COMP., BRAKE ROD .....	I2	88	16	PLATE, SPRING ADJUSTER .....	H13	83	40	RUBBER B, HANDLE WEIGHT .....	H9	79	9
PIN C, DOWEL, 4X6.5 .....	F6	57	16	PLATE, STOP .....	H6	76	14				
PIN C, PILLION STEP .....	J7	109	26	PLATE, WINKER SETTING .....	K1	119	4	RUBBER B, PROTECTOR .....	L7	141	6
PIN, HANGER .....	H14	84	11		K3	121	2	RUBBER, AIR CLEANER COVER .....	I14	100	12
	I4	90	9	PLIERS, 135 .....	K16	134	5	RUBBER, AIR CLEANER L. SIDE .....	I15	101	28
PIN, PISTON .....	E13	48	1	PLUG, CONE .....	J15	117	11	RUBBER, AIR CLEANER R. SIDE .....	I15	101	27
	F5	56	4		J16	118	9	RUBBER, BATTERY .....	J15	117	4
PIN, SHIFT RETURN SPRING .....	F9	60	10	PLUG, CONE TYPE .....	J15	117	11	RUBBER, FILLER NECK STOPPER .....	L1	135	12
PIN, SPLIT, 1.6X12 .....	J7	109	24		J16	118	9		L4	138	10
PIN, SPLIT, 2.0X12 .....	I3	89	24	PLUG, PIN .....	I4	90	15	RUBBER, FR. FENDER MOUNTING .....	K4	122	4
PIN, SPLIT, 2.0X15 .....	J7	109	25	PLUG, SPARK .....	E2	37	19	RUBBER, FR. WINKER .....	K2	120	11
PIN, STEP BAR .....	J5	107	5		E3	38	19		K3	121	10

# PART NAME INDEX

2-B 8

Part name	Address	Page	Ref.	Part name	Address	Page	Ref.	Part name	Address	Page	Ref.
RUBBER, FUEL PUMP UNIT .....	I11	97	5	SCREW, PAN, 5X16 .....	I3	89	27	SENSOR ASSY., KILL .....	K8	126	9
RUBBER, FUEL TANK FR. ....	L7	141	1	SCREW, PAN, 5X20 .....	H3	73	14	SENSOR ASSY., SPEED .....	F3	54	6
RUBBER, GEAR CHANGE PEDAL .....	J4	106	1		L9	143	24	SENSOR ASSY., WATER TEMP .....	F10	61	13
RUBBER, HANDLE WEIGHT .....	H9	79	9	SCREW, PAN, 5X22 .....	H3	73	15	SENSOR COMP., KILL .....	K9	127	27
RUBBER, HEADLIGHT CASE				SCREW, PAN, 6X11 .....	H11	81	4	SENSOR, MAP .....	F12	63	23
MOUNTING	H1	71	9	SCREW, PAN, 6X14 .....	J7	109	20		F14	65	23
RUBBER, L. SIDE .....	I14	100	11		L10	144	16		L7	141	2
RUBBER, METER CUSHION .....	H2	72	4		L11	145	17	SHAFT, AIR INTAKE DUCT VALVE ..	L8	142	18
RUBBER, MOUNTING .....	E1	36	11	SCREW, RIVET, 1.8X5 .....	K11	129	19	SHAFT, GEARSHIFT FORK .....	F9	60	5
	G2	69	1		K13	131	24	SHIM, TAPPET .....	E6	41	18
RUBBER, OIL CUP MOUNTING .....	H4	74	3	SCREW, SPECIAL, 6X14 .....	H11	81	4		E7	42	18
RUBBER, PROTECTOR .....	K4	122	5						E8	43	18
	L1	135	15	SCREW, TAPPING, 3X16 .....	H2	72	5	SHROUD COMP. ....	L1	135	4
RUBBER, RADIATOR MOUNTING .....	K14	132	6		H9	79	18	SHROUD COMP., L. ....	L6	140	3
	K15	133	9	SCREW, TAPPING, 4X10 .....	K2	120	13	SHROUD COMP., R. ....	L4	138	6
	L1	135	17		L9	143	29	SLEEVE .....	I4	90	12
	L4	138	13		L11	145	21	SLIDER, CHAIN .....	J9	111	13
	L6	140	11	SCREW, TAPPING, 4X12 .....	I15	101	18		J11	113	13
RUBBER, RR. FENDER .....	J15	117	15		L9	143	30	SOCKET .....	K4	122	2
RUBBER, R. SIDE .....	I14	100	10	SCREW, TAPPING, 4X14 .....	K3	121	11	SOCKET COMP., HEADLIGHT .....	H1	71	4
RUBBER, SCREEN SETTING .....	K15	133	12	SCREW, TAPPING, 4X20 .....	K2	120	12	SOCKET COMP., POSITION LIGHT ..	H1	71	5
RUBBER, SEAT COWL .....	I13	99	25	SCREW, TAPPING, 5X10 .....	I13	99	20	SPACER, REGULATOR RECTIFIER ..	K9	127	26
RUBBER, SHOCK .....	K5	123	10	SCREW, TAPPING, 5X12 .....	I15	101	19	SPACER, SIDE COWL SETTING .....	I13	99	15
RUBBER, SIDE SHELTER .....	L9	143	37		L9	143	31	SPANNER, 10X12 .....	K16	134	14
RUBBER, STOPPER .....	H13	83	24	SCREW, TAPPING, 5X16 .....	H2	72	6	SPANNER, 8 .....	K16	134	13
RUBBER, TAILLIGHT .....	L4	138	25		I15	101	17	SPANNER, PIN .....	K16	134	11
	L6	140	17	SCREW, TRIPLE, 4X11 .....	H6	76	22	SPINDLE COMP., GEARSHIFT .....	F9	60	8
RUBBER, TAILLIGHT MOUNTING ...	I9	95	13	SCREW, TRUSS, 5X15 .....	L9	143	38	SPRING ASSY., SIDE STAND .....	J8	110	4
RUBBER, WASHER .....	H11	81	6	SEAL A .....	I15	101	25	SPRING COMP., PAD .....	H14	84	7
				SEAL A, AIR CLEANER CASE .....	I15	101	23	SPRING SET, BRAKE PEDAL .....	J4	106	8
[ S ]				SEAL A, LOWER COWL .....	L10	144	4	SPRING, CLUTCH .....	E11	46	10
SCREW-WASHER, 4X12 .....	F12	63	26		L11	145	6	SPRING, FR. FORK .....	H12	82	5
	F15	66	26	SEAL B .....	I15	101	26	SPRING, GEARSHIFT DRUM STOPPER	F9	60	7
	H5	75	32	SEAL B, AIR CLEANER CASE .....	I15	101	24	SPRING, HANDLE LEVER .....	H6	76	21
	H7	77	30	SEAL RING, INJECTOR .....	F11	62	16	SPRING, JUDDER .....	E12	47	26
	I3	89	22		F14	65	16	SPRING, KICK STARTER STOPPER ..	J5	107	1
SCREW-WASHER, 4X8 .....	F12	63	25	SEAL SET, FR. FORK .....	H13	83	22	SPRING, LOCK KEY SETTING .....	I12	98	1
	F13	64	9	SEAL SET, PISTON .....	H14	84	1	SPRING, L. STEP RETURN .....	J5	107	6
	F15	66	25					SPRING, PAD .....	I4	90	4
	F16	67	7	SEAL, ELEMENT .....	I4	90	2	SPRING, PRIMARY DAMPER .....	E11	46	14
SCREW-WASHER, 5X14 .....	F16	67	8	SEAL, EX. VALVE STEM .....	E6	41	1	SPRING, PRIMARY DRIVE FRICTION	E11	46	15
SCREW-WASHER, 5X18 .....	H1	71	10	SEAL, FR. DUCT .....	I14	100	5	SPRING, R. STEP RETURN .....	J5	107	4
SCREW-WASHER, LOCK, 4X25 .....	K9	127	21	SEAL, JOINT .....	H14	84	6	SPRING, SHIFT RETURN .....	F9	60	9
SCREW-WASHER, LOCK, 4X8 .....	I11	97	13	SEAL, MECHANICAL .....	E10	45	2	SPRING, SLAVE CYLINDER .....	E15	50	8
SCREW-WASHER, PAN .....	F13	64	8	SEAL, RADIATOR CAP .....	L1	135	19	SPRING, STOP SWITCH .....	J4	106	6
SCREW SET, STOP .....	F11	62	4	SEAL, SEAT COWL PANEL .....	I12	98	9	SPRING, VALVE INNER .....	E6	41	13
	F14	65	3	SEAL, UPPER COWL .....	L7	141	8	SPRING, VALVE OUTER .....	E6	41	12
SCREW, BLEEDER .....	E15	50	10	SEAL, VALVE STEM .....	E6	41	2	SPROCKET, DRIVE .....	F7	58	18
	H14	84	4	SEAT ASSY., PILLION .....	I12	98	14	SPROCKET, FINAL DRIVEN .....	I5	91	2
	I4	90	10		I13	99	14		I7	93	2
SCREW, FLAT, 4X50 .....	H5	75	31	SEAT ASSY., SINGLE .....	I12	98	2	SPROCKET, OIL PUMP DRIVE .....	E11	46	1
SCREW, OVAL, 6X60 .....	H9	79	16	SEAT, JUDDER SPRING .....	E11	46	24	SPROCKET, OIL PUMP DRIVEN .....	F1	52	3
SCREW, PAN, 4X32 .....	H3	73	12	SEAT, OIL FILTER SPRING .....	F1	52	9	STATOR COMP. ....	E14	49	5
SCREW, PAN, 4X45 .....	H3	73	13	SEAT, SPRING .....	H12	82	6	STAY A, FUEL PIPE .....	F11	62	8
SCREW, PAN, 5MM .....	I15	101	16	SEAT, VALVE SPRING INNER .....	E6	41	16		F14	65	8
SCREW, PAN, 5X15 .....	L9	143	26	SEAT, VALVE SPRING OUTER .....	E6	41	15	STAY A, FUEL TANK RR. ....	I9	95	5
	L10	144	15	SENSOR ASSY., AIR TEMP .....	I14	100	15	STAY B, L. LOWER COWL .....	K10	128	7
	L11	145	16					STAY B, R. LOWER COWL .....	K10	130	11
									K10	128	6



# PART NAME INDEX

2-B 9

Part name	Address	Page	Ref.	Part name	Address	Page	Ref.	Part name	Address	Page	Ref.	
STAY B, R. LOWER COWL .....	K12	130	10	STRIPE B, R. LOWER COWL .....	L16	150	7	[ T ]				
STAY B, UPPER COWL .....	L7	141	13		M2	152	7	TANK ASSY., VACUUM.....	I16	102	3	
STAY COMP., FUEL .....	F11	62	7	STRIPE B, R. SEAT COWL .....	M3	153	23		J1	103	3	
	F14	65	7	STRIPE C, L. LOWER COWL .....	L14	148	9	TANK SET, FUEL.....	I9	95	6	
STAY COMP., FUEL PUMP .....	I11	97	6		L16	150	10	TANK, BREATHER.....	G1	68	3	
STAY C, FUEL PIPE .....	F11	62	9	STRIPE C, R. LOWER COWL .....	L14	148	8	TANK, RADIATOR RESERVE.....	L1	135	21	
	F14	65	9		L16	150	9		L4	138	16	
STAY C, L. LOWER COWL .....	L10	144	11	STRIPE D, L. LOWER COWL .....	L14	148	11	TAPE B, SINGLE SEAT COWL.....	L9	143	35	
	L11	145	13		L16	150	12	TAPE D, PROTECTION.....	I13	99	24	
STAY C, L. UPPER COWL .....	L2	136	35	STRIPE D, R. LOWER COWL .....	L14	148	10	TERMINAL SET, BRUSH.....	E16	51	2	
	L6	140	18		L16	150	11	THERMOSTAT.....	F10	61	2	
STAY C, R. LOWER COWL .....	L10	144	10	STRIPE E, L. LOWER COWL .....	M1	151	16	THREAD B, STEERING HEAD TOP...	H10	80	6	
	L11	145	12		M2	152	11	THREAD COMP., STEERING HEAD				
STAY C, R. UPPER COWL .....	L2	136	34	STRIPE E, R. LOWER COWL .....	M3	153	18		TOP	H10	80	4
	L5	139	26	STRIPE F, L. LOWER COWL .....	M1	151	18	THROTTLE BODY ASSY.....	F11	62	15	
STAY, AIR INJECTION CONTROL				STRIPE F, R. LOWER COWL .....	M1	151	17		F14	65	14	
VALVE	F10	61	1	STRIPE, L. SEAT COWL PANEL .....	M1	151	20	TIRE, FR.....	H15	85	8	
STAY, CHOKE CABLE .....	E15	50	4		M3	153	18		I1	87	8	
STAY, CHOKE WIRE .....	F13	64	6	STRIPE, L. UPPER COWL .....	L14	148	3	TIRE, RR.....	I5	91	11	
	F16	67	5		L16	150	3		I7	93	11	
STAY, FR. MASTER CYLINDER ....	H4	74	19	STRIPE, R. SEAT COWL .....	M1	151	22	TOOL SET.....	K16	134	2	
STAY, HORN .....	K12	130	9	STRIPE, R. SEAT COWL PANEL .....	M1	151	19	TUBE.....	F11	62	10	
STAY, IGNITION COIL .....	K6	124	2		M3	153	19					
STAY, L. FR. REFLECTOR .....	H11	81	12	STRIPE, R. UPPER COWL .....	L14	148	2					
STAY, L. LOWER COWL .....	F1	52	11		L16	150	3	TUBE A, AIR INJECTION CONTROL				
STAY, L. SEAT COWL .....	I12	98	6	STRIPE, SEAT COWL PANEL .....	L15	149	16	VALVE	G1	68	6	
STAY, MAP SENSOR .....	F13	64	5	STUD, 9x15.....	L10	144	17					
STAY, OIL COOLER .....	K14	132	2	SUB CORD, ENGINE .....	F10	64	11	TUBE C, AIR INJECTION CONTROL				
	K15	133	2	SUB GEAR, PRIMARY .....	E11	46	13	VALVE	G1	68	8	
			3	SUB HARNESS, INJECTOR .....	K8	126	7	TUBE, 17X27.....	G1	68	13	
STAY, OIL COOLER UPPER .....	K15	133	5	SUSPENSION, C.D.I. CONVERTOR ..	K8	126	2	TUBE, 3.5X170.....	J1	103	12	
STAY, PB SENSOR .....	F14	65	6	SUSPENSION, STARTER RELAY .....	K7	125	10	TUBE, 3.5X200.....	I16	102	12	
STAY, R. FR. REFLECTOR .....	H11	81	11	SUSPENSION, WINKER RELAY .....	K8	126	13	TUBE, 3.5X26.....	F11	62	12	
STAY, R. LOWER COWL .....	F1	52	10	SWINGARM SUB ASSY.....	J9	111	14	TUBE, 3.5X30.....	F12	63	28	
STAY, R. SEAT COWL .....	I12	98	5		J10	112	14		F15	66	29	
STAY, SEAT LOCK CABLE .....	I12	98	13	SWITCH ASSY., CLUTCH .....	H6	76	11	TUBE, 3.5X40.....	F15	66	30	
STAY, SOLENOID VALVE .....	I16	102	7	SWITCH ASSY., COMBINATION &				TUBE, 3.5X410.....	F12	63	30	
STAY, VACUUM TANK .....	I16	102	6	LOCK	H8	78	2		F15	66	32	
	J1	103	7	SWITCH ASSY., FR. STOP.....	H4	74	1	TUBE, 3.5X430.....	I16	102	13	
STAY, WINKER .....	K1	119	9	SWITCH ASSY., NEUTRAL .....	F3	54	5	TUBE, 3.5X500.....	J1	103	13	
STAY, WIRE .....	F13	64	7	SWITCH ASSY., OIL PRESSURE .....	F3	54	4	TUBE, 3.5X570.....	I16	102	14	
	F16	67	6	SWITCH ASSY., RR. STOP.....	J4	106	5	TUBE, 3.5X730.....	J1	103	14	
STEM SUB ASSY., STEERING .....	H10	80	3	SWITCH ASSY., STARTER MAGNETIC	K5	123	9	TUBE, 3.5X95.....	F12	63	29	
STOPPER COMP., DRUM .....	F9	60	6	SWITCH ASSY., THERMO .....	L2	136	33		F15	66	31	
STOPPER, SPRING SEAT .....	H12	82	9	SWITCH SET, SIDE STAND .....	J8	110	1	TUBE, 5.3X300.....	E9	44	20	
STRAINER COMP., OIL .....	F1	52	5	SWITCH SET, STARTER KILL .....	H3	73	4	TUBE, 5.3X530.....	L3	137	42	
STRIPE A, L. LOWER COWL .....	L14	148	5	SWITCH SET, WINKER .....	H3	73	5		L5	139	34	
	L16	150	6					TUBE, 5.3X620.....	L3	137	43	
	M2	152	6	STRIPE A, L. SEAT COWL .....	M3	153	22		L5	139	35	
STRIPE A, R. SEAT COWL .....	M3	153	21	STRIPE A, R. LOWER COWL .....	L14	148	4	TUBE, 8X300.....	I9	95	19	
STRIPE B, L. LOWER COWL .....	L14	148	7		L16	150	8	TUBE, 8X860.....	I10	96	20	
	L16	150	8	STRIPE A, R. SEAT COWL .....	M3	153	21	TUBE, AIR INJECTION CONTROL				
	M2	152	8	STRIPE B, L. LOWER COWL .....	L14	148	6	VALVE	G1	68	7	
STRIPE B, L. SEAT COWL .....	M3	153	24					TUBE, BRAKE PEDAL SPRING.....	J4	106	9	
STRIPE B, R. LOWER COWL .....	L14	148	6					TUBE, BREATHER.....	G1	68	4	
											14	
									I9	95	8	

# PART NAME INDEX

**2-B10**

Part name	Address	Page	Ref.	Part name	Address	Page	Ref.	Part name	Address	Page	Ref.
TUBE, DRAIN .....	I9	95	7	WASHER, DRAIN PLUG, 12MM .....	F2	53	18	WINKER ASSY., L. FR. ....	K1	119	5
TUBE, FR. CONNECTING .....	K10	128	1		G3	70	2	WINKER ASSY., L. RR. ....	K3	121	3
	K12	130	1	WASHER, DRUM STOPPER .....	F9	60	13		K1	119	8
TUBE, FUEL PUMP RETURN .....	I11	97	3	WASHER, FR. COVER FIXING .....	J16	118	3	WINKER ASSY., R. FR. ....	K3	121	7
TUBE, OUTER .....	H12	82	10	WASHER, LOCK .....	H10	80	7	WINKER ASSY., R. RR. ....	K1	119	1
TUBE, SOLENOID VALVE .....	J1	103	6	WASHER, LOCK, 28MM .....	F8	59	28		K3	121	1
TUBE, VINYL, 14X18X60 .....	J8	110	8	WASHER, LOCK, 30MM .....	F8	59	27	WINKER ASSY., R. RR. ....	K1	119	6
TUBE, VINYL, 8X12X570 .....	I15	101	22	WASHER, NEUTRAL .....	F3	54	11		K3	121	4
TUBE, VINYL, 8X12X630 .....	G1	68	12		G3	70	2	WIRE, HELMET SET .....	K16	134	1
[ V ]				WASHER, NUMBER BRACKET SETTING	J12	114	21	WRENCH, BOX .....	K16	134	6
VALVE ASSY., BYPASS CONTROL				WASHER, OIL BOLT .....	H5	75	28	WRENCH, EYE, 10X12 .....	K16	134	10
SOLENOID	I16	102	4		H7	77	26	WRENCH, EYE, 22MM .....	K16	134	18
	J1	103	4	WASHER, PLAIN, 10MM .....	I3	89	20	WRENCH, EYE, 32 .....	K16	134	8
VALVE ASSY., EX. AIR INJECTION	G1	68	10	WASHER, PLAIN, 5MM .....	F3	54	12	WRENCH, HEX., 5MM .....	K16	134	9
VALVE ASSY., RELIEF .....	F1	52	7	WASHER, PLAIN, 6MM .....	H2	72	7	WRENCH, PLUG, .....	K16	134	7
VALVE COMP., REED .....	E1	36	6		I9	95	18				
VALVE COMP., STARTER .....	F13	64	4		I10	96	24				
	F16	67	4		J7	109	22				
VALVE SET, STARTER .....	F13	64	3		J12	114	29				
	F16	67	3		J16	118	7				
VALVE, AIR INTAKE DUCT .....	L8	142	19		K4	122	7				
VALVE, EX. ....	E6	41	10				18				
VALVE, IN. ....	E6	41	9		K15	133	17				
VALVE, RIM .....	H15	85	2		L2	136	40				
	I1	87	2	WASHER, PLAIN, 8MM .....	L5	139	32				
	I5	91	12		L6	140	23				
	I7	93	12		J3	105	21				
[ W ]					J7	109	23				
WASHER A, FR. DISK .....	K12	130	4	WASHER, SCREEN SETTING .....	L7	141	7				
WASHER B, THRUST, 22MM .....	F7	58	22	WASHER, SEALING, 12MM .....	I11	97	16				
WASHER C, 8MM .....	E9	44	12	WASHER, SEALING, 6.5MM .....	E2	37	15				
	G3	70	2		E4	39	16				
WASHER O-RING KIT A .....	G2	69	2		G2	69	2				
WASHER O-RING KIT B .....	G3	70	2	WASHER, SEALING, 8MM .....	E8	43	19				
WASHER, 10MM .....	I6	92	19		F3	54	10				
	I7	93	19		G2	69	2				
WASHER, 10.2MM .....	K11	129	18	WASHER, SPECIAL, 12MM .....	G3	70	2				
WASHER, 12MM .....	K12	130	19	WASHER, SPECIAL, 8MM .....	F10	61	14				
	F8	59	24	WASHER, SPLINE, 28MM .....	J2	104	18				
WASHER, 12.2X40X5 .....	E14	49	13	WASHER, SPLINE, 28X34X1.5 .....	F8	59	26				
WASHER, 12.5X36X6 .....	E11	46	21	WASHER, SPLINE, 30MM .....	F7	58	21				
WASHER, 14MM .....	F9	60	14	WASHER, SPLINE, 30X36X1.5 .....	F8	59	25				
WASHER, 15.2X25 .....	J4	106	15	WASHER, SPRING, 5MM .....	F7	58	20				
WASHER, 18X32X2 .....	J12	114	20	WASHER, STEERING STEM .....	I15	101	29				
WASHER, 22X38X2.5 .....	I6	92	18	WASHER, THRUST, 28MM .....	H10	80	7				
	I7	93	18	WASHER, THRUST, 28.2X56X2 .....	F8	59	23				
	J10	112	22	WASHER, THRUST, 5MM .....	E11	46	20				
WASHER, 25.1X37X5 .....	E11	46	19	WEIGHT B, STEERING HANDLE .....	L9	143	28				
WASHER, 6MM .....	L5	139	30	WEIGHT, BALANCE .....	H8	78	6				
	L6	140	21		H15	85	1				
WASHER, 6X16 .....	H5	75	27		I1	87	1				
WASHER, CHAIN CASE SETTING ...	I13	99	19		I5	91	10				
WASHER, CHANGE PEDAL PIVOT ...	J4	106	14	WEIGHT, STEERING HANDLE .....	I7	93	10				
				WHEEL SUB ASSY., FR. ....	H9	79	7				
					H15	85	7				
				WHEEL SUB ASSY., RR. ....	I1	87	7				
					I5	91	9				
				WINDSCREEN SET .....	I7	93	9				
					L7	141	11				



---

**1** FOREWORD INDEX

---

**2** ENGINE GROUP

---

**3** FRAME GROUP

---

**4** PART NUMBER INDEX

---

**5** PART NAME INDEX

---